

2018

Trim Catalog



HOMESTEAD
WOODWORKS

TABLE OF CONTENTS

Casing.....	2-21
Back Band.....	22-28
Base Board.....	29-38
Crown Mould.....	39-61
Panel Mould.....	62-79
Chair Rail.....	80-85
Door Stop.....	86-92
Window Sill.....	93-96
T & G Paneling.....	97-100
Shiplap.....	101-104
Hand Rail.....	105-111
Plinth Block.....	112-116
Brick Mould.....	117-121

www.hsww.ca

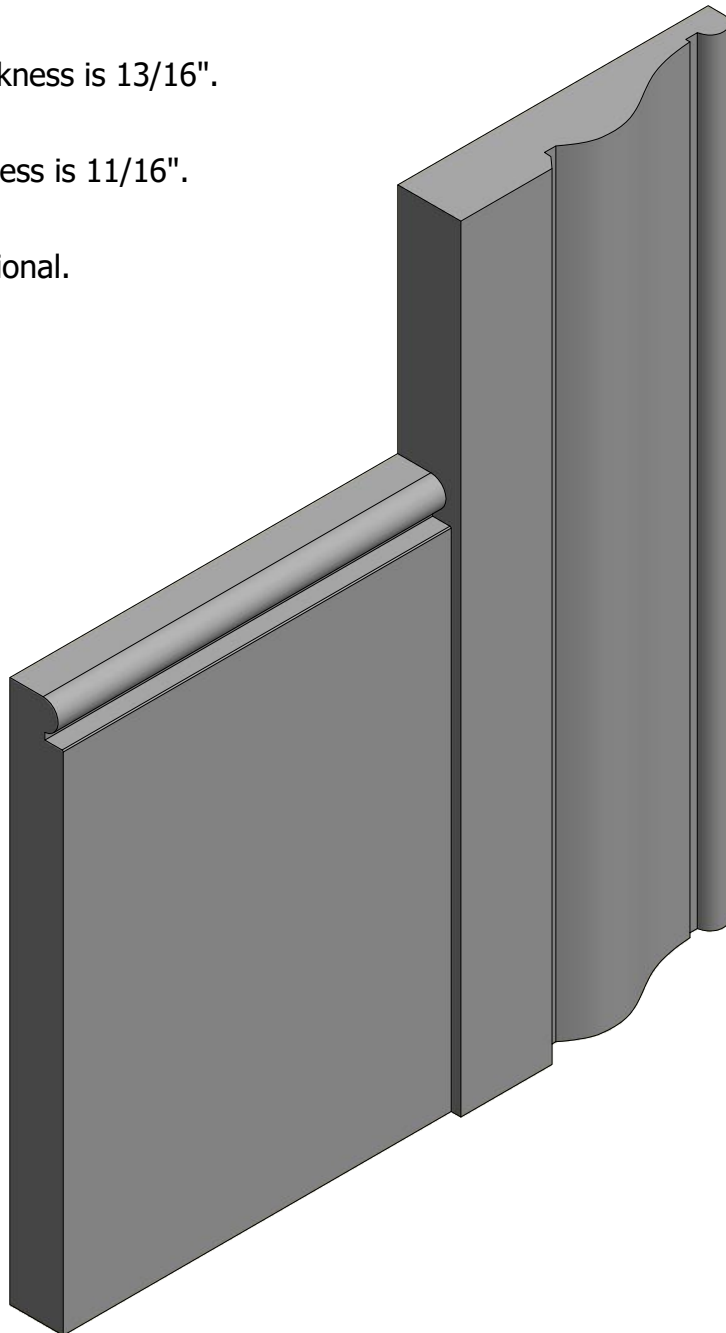
Homestead Woodworks
3575 Broadway St.
Hawkesville, ON
519 699 4529



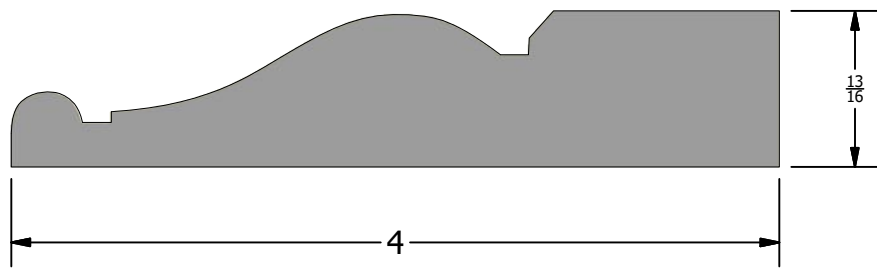
HOMESTEAD
WOODWORKS

Casing

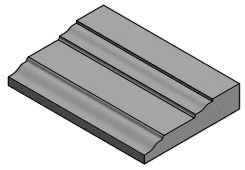
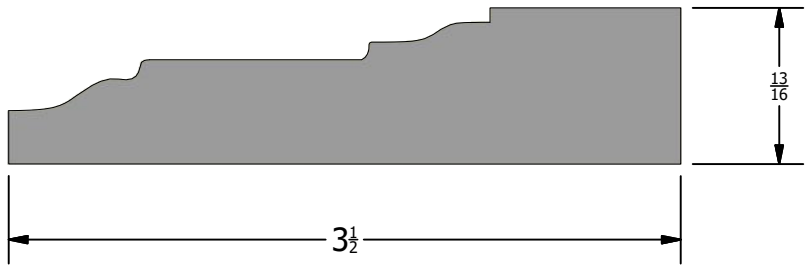
- Most CB profiles can be used for both casing and base.
- Most CB molding can be modified to some degree.
- Standard casing thickness is 13/16".
- Standard base thickness is 11/16".
- Back checking is optional.



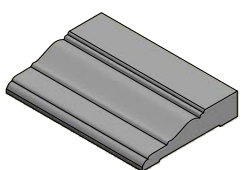
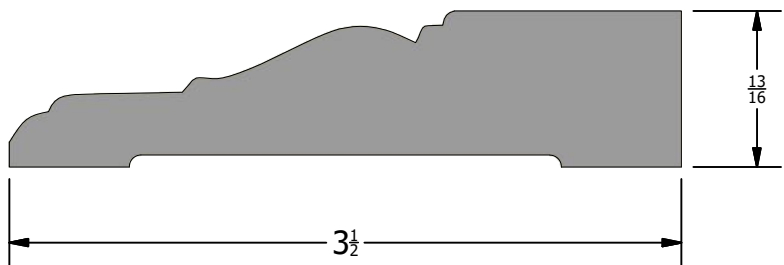
CB-01



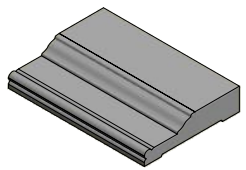
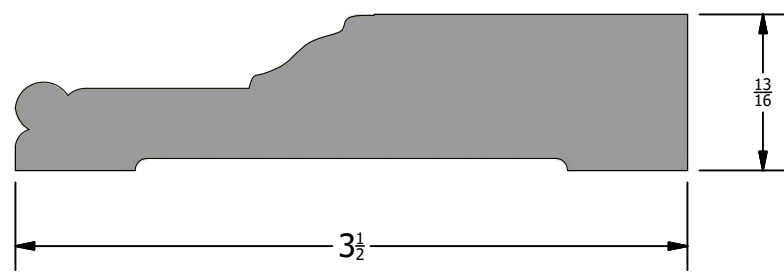
CB-02



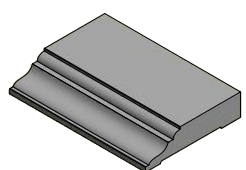
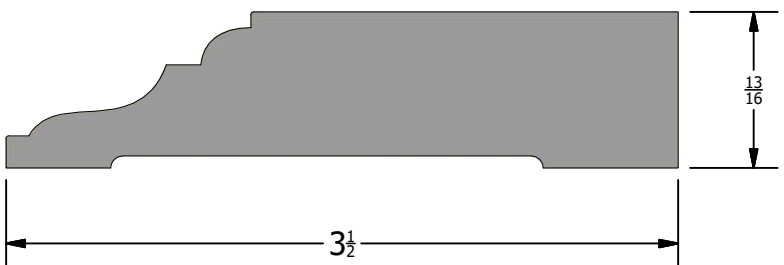
CB-03



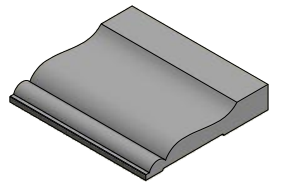
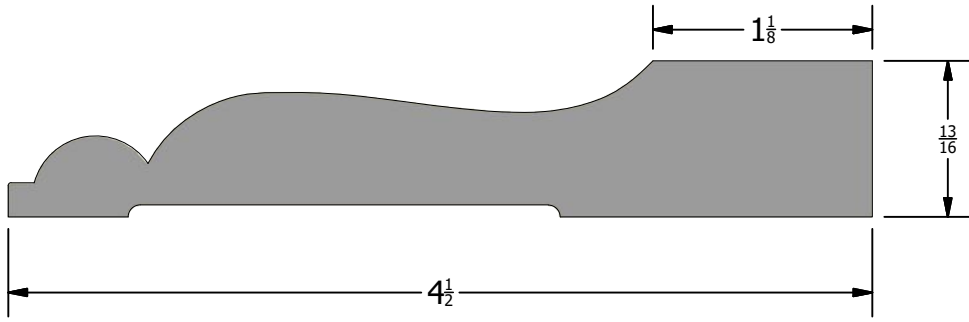
CB-04



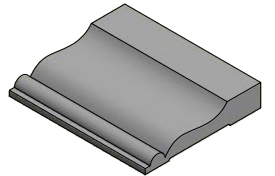
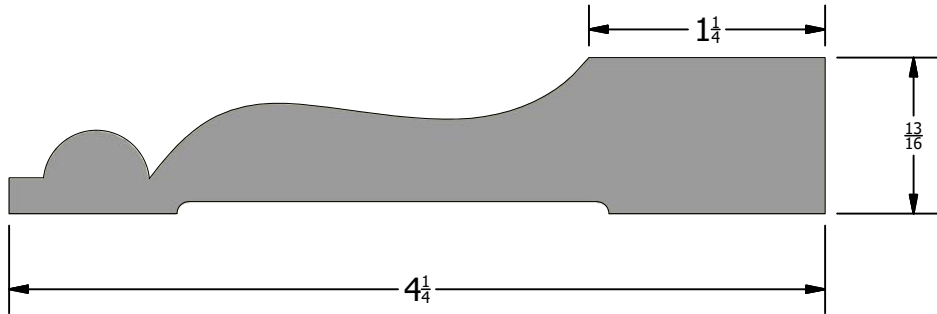
CB-05



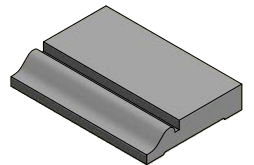
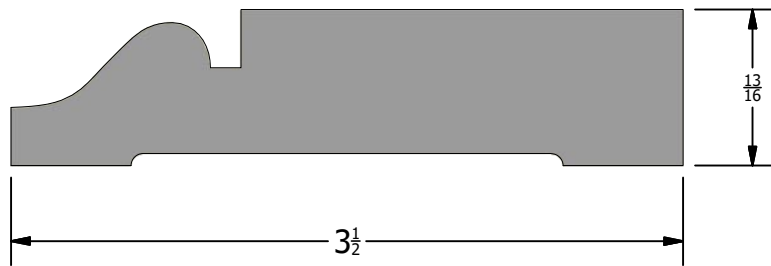
CB-06-A



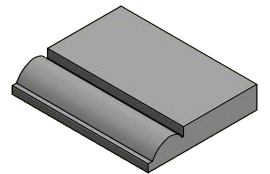
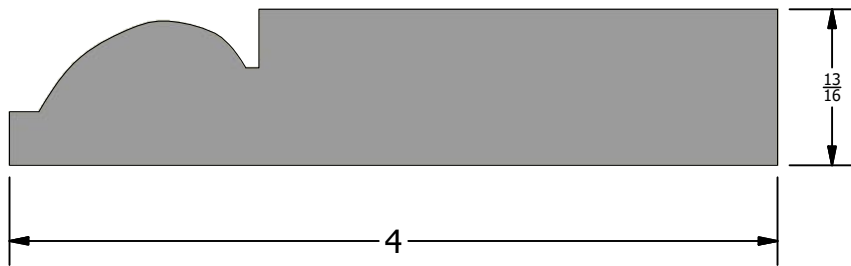
CB-06-B



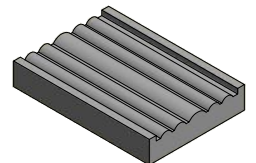
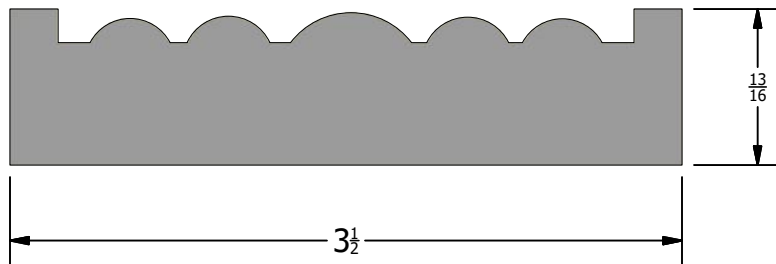
CB-07



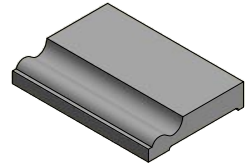
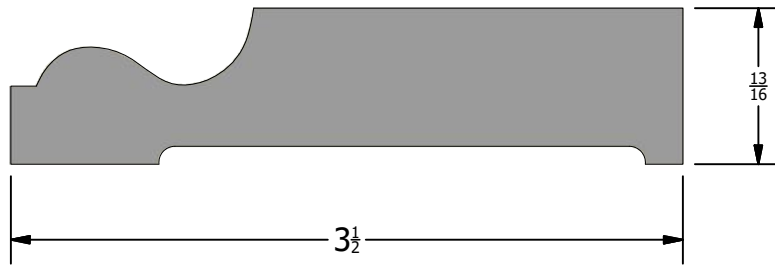
CB-08



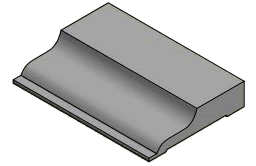
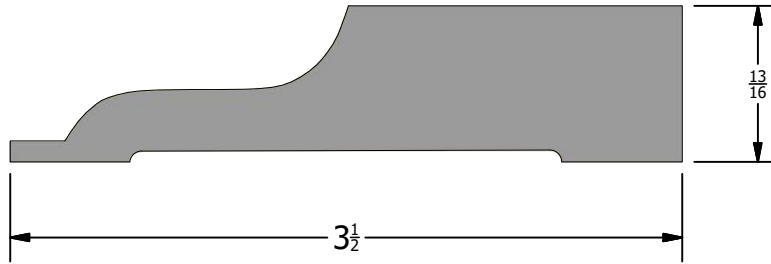
CB-09



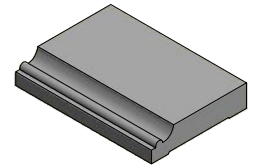
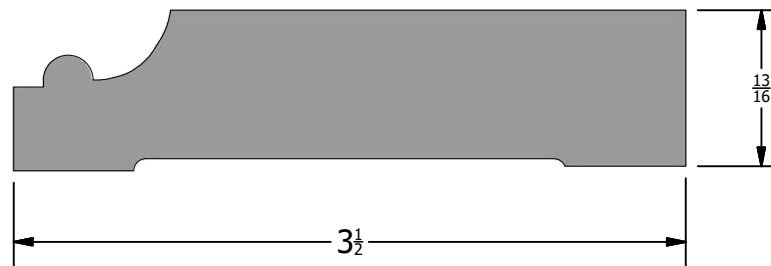
CB-10



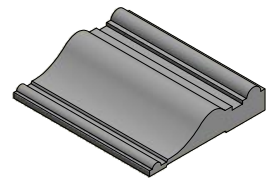
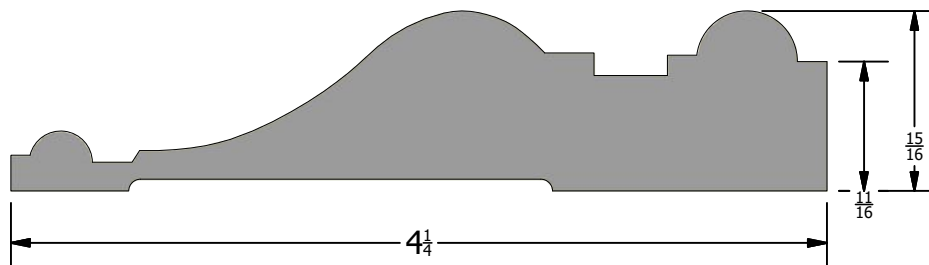
CB-11



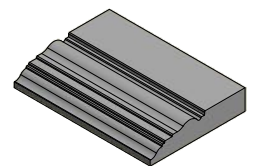
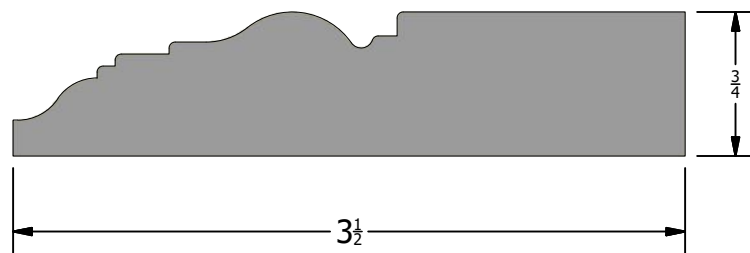
CB-12



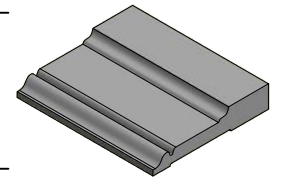
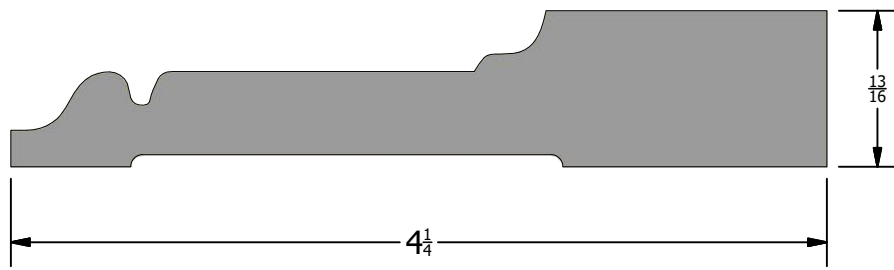
CB-13



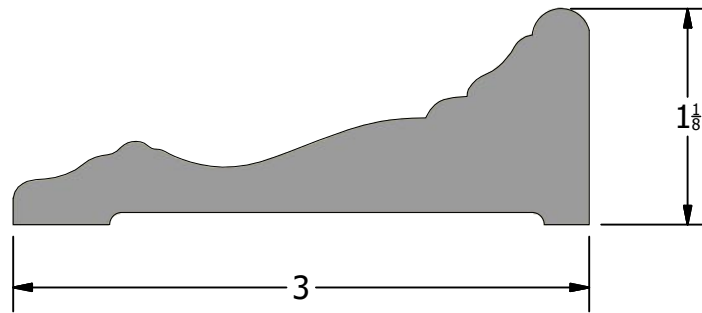
CB-14



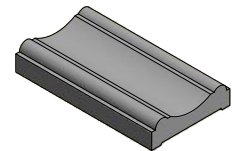
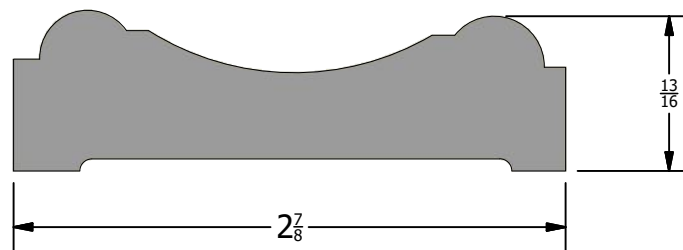
CB-15



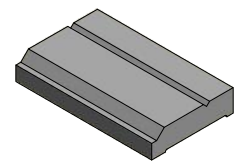
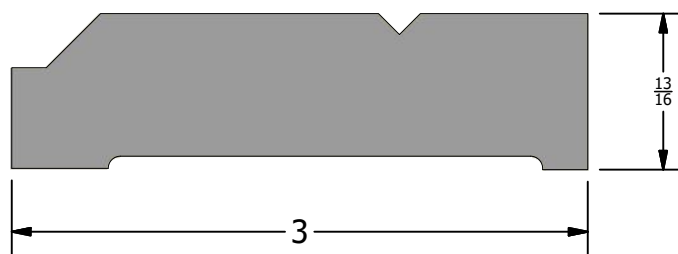
CB-16



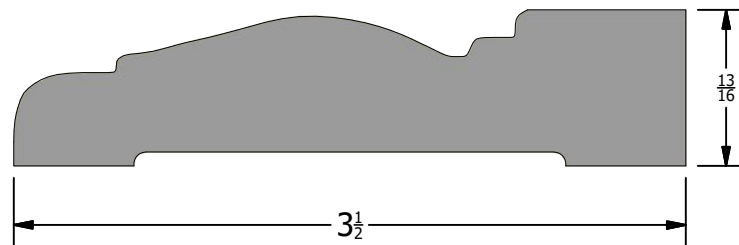
CB-17



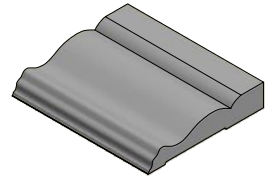
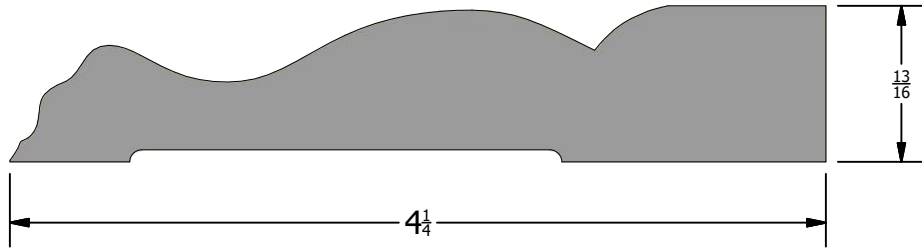
CB-18



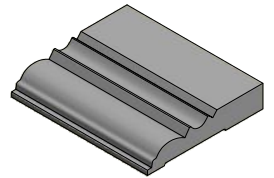
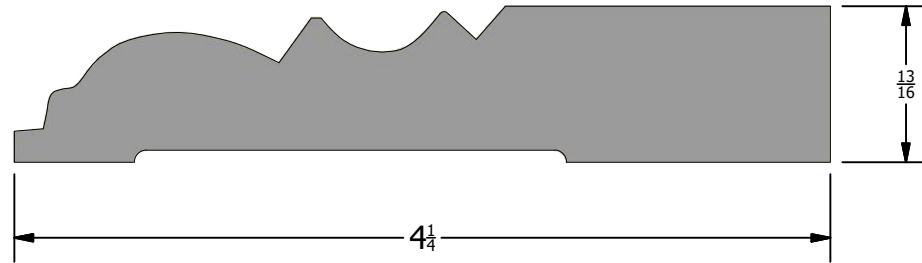
CB-19



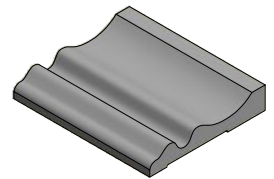
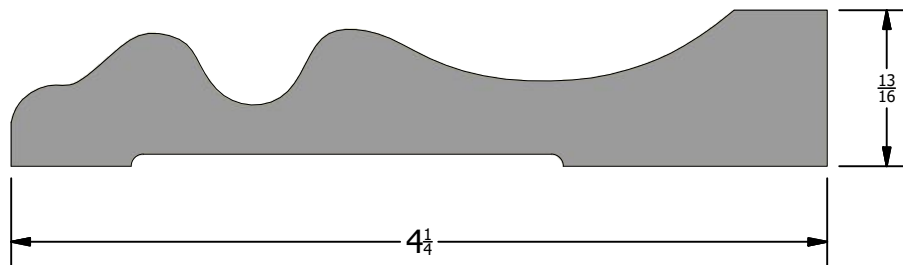
CB-20



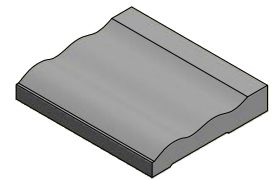
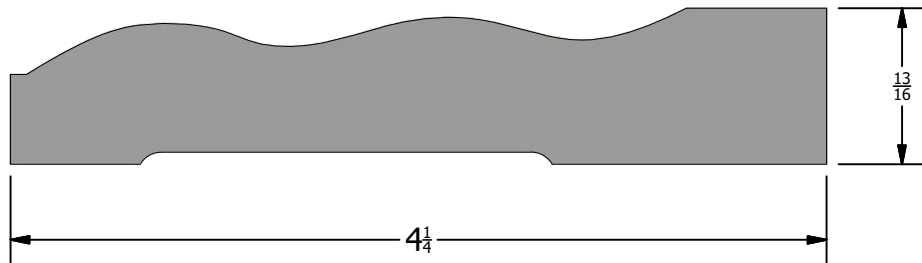
CB-21



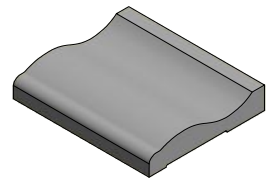
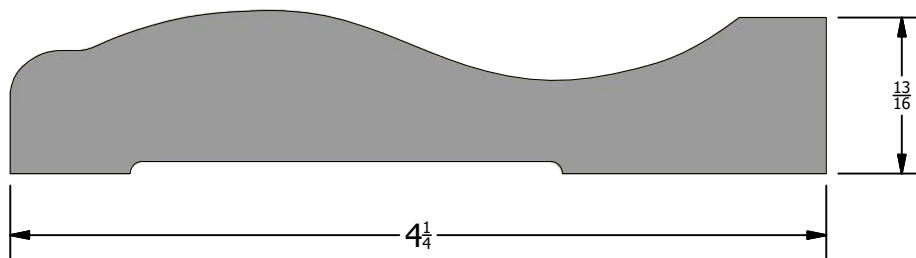
CB-22



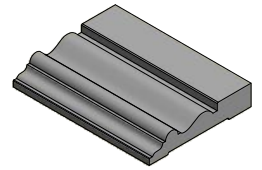
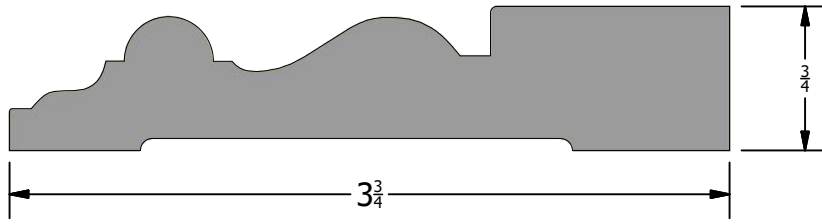
CB-23



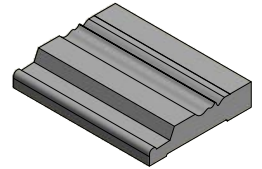
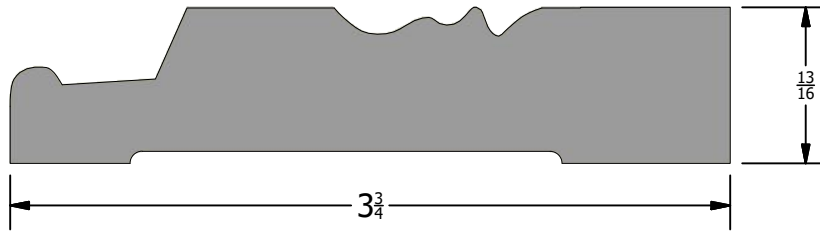
CB-24



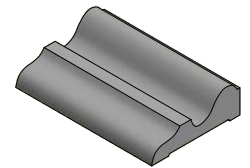
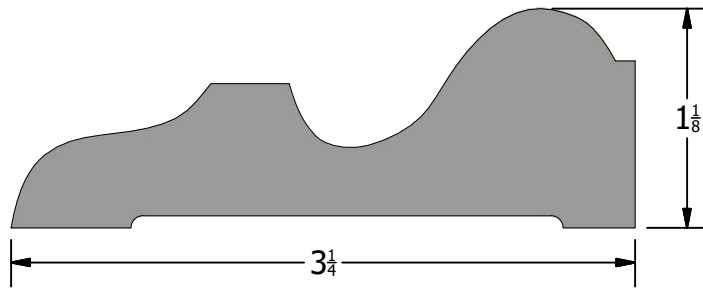
CB-25



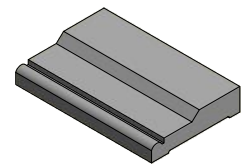
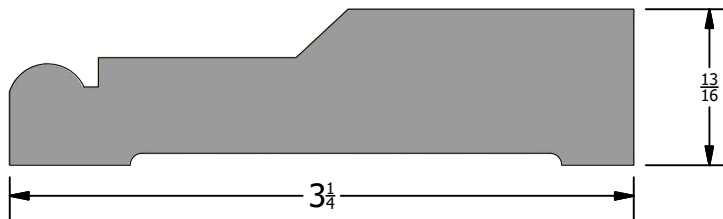
CB-26



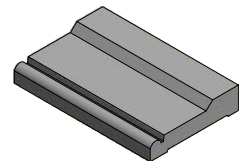
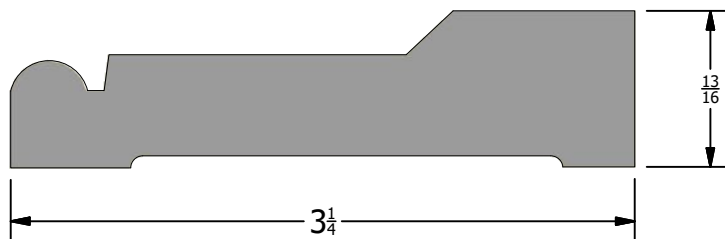
CB-27



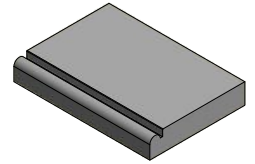
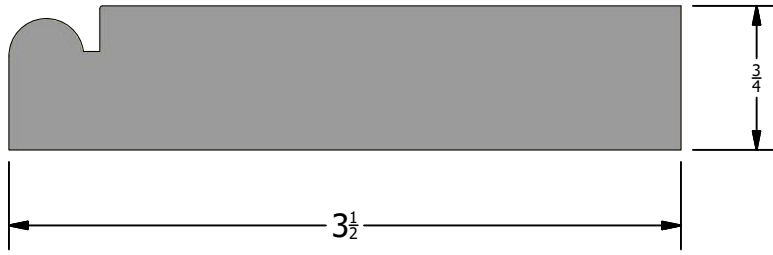
CB-28 -A



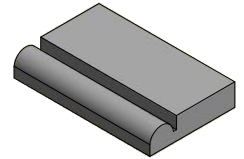
CB-28-B



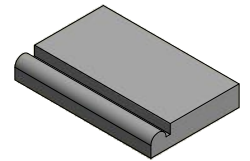
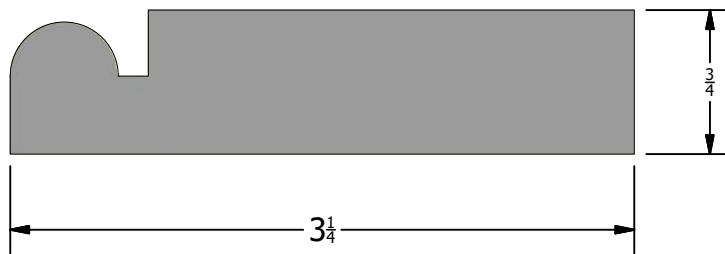
CB-28-C



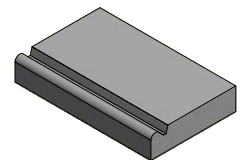
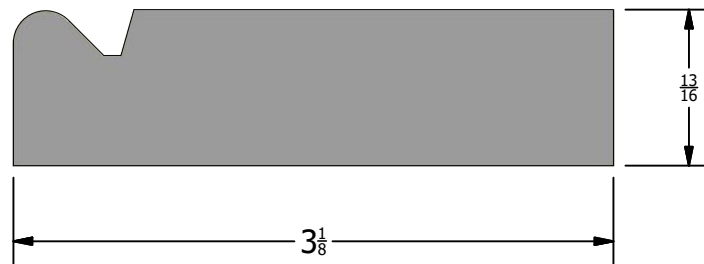
CB-28-D



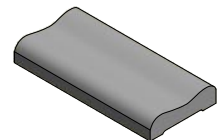
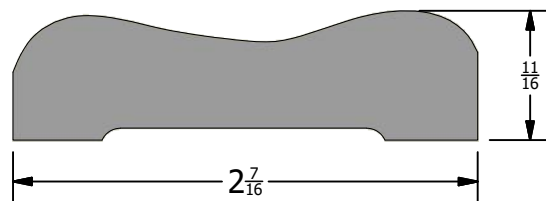
CB-28-E



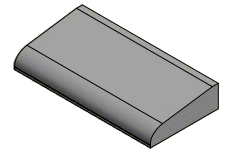
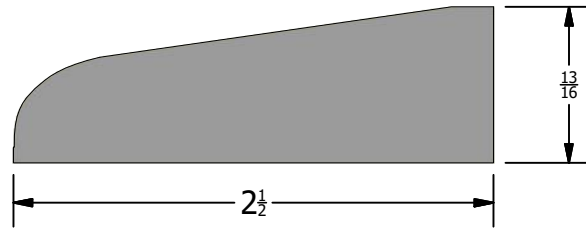
CB-29



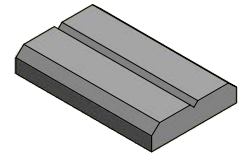
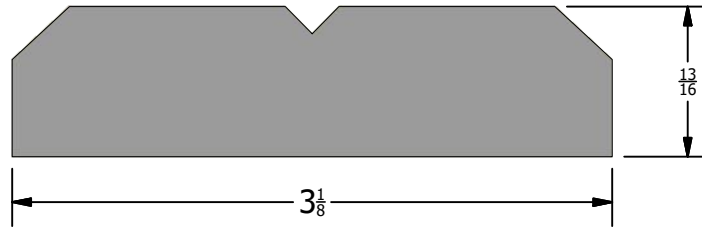
CB-30



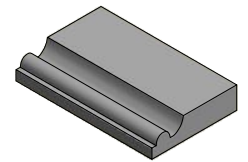
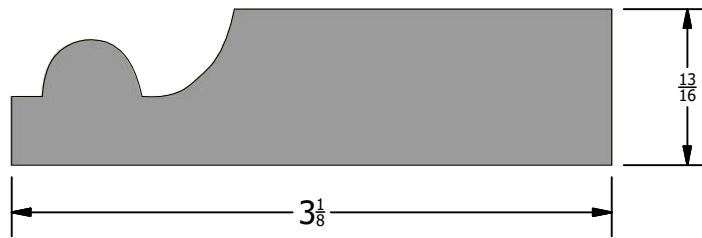
CB-31



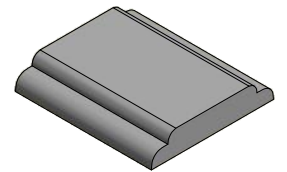
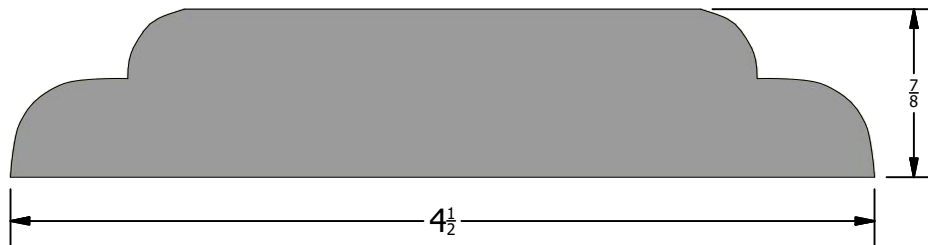
CB-32



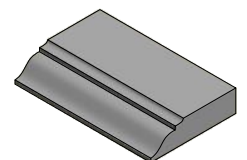
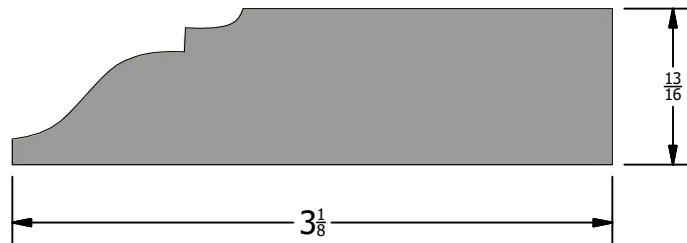
CB-33



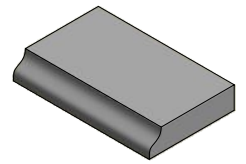
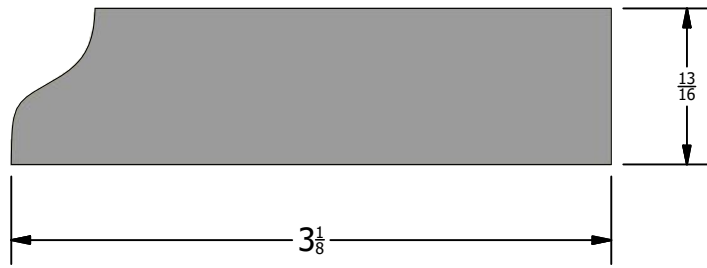
CB-34



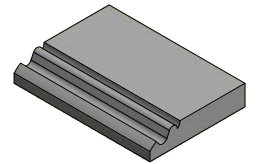
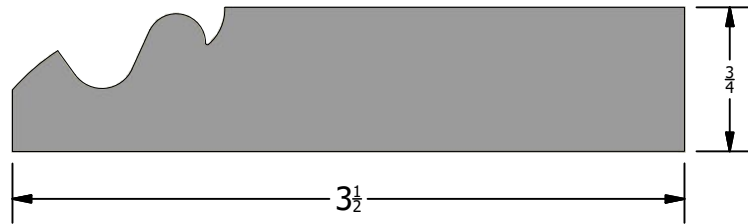
CB-35



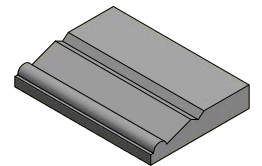
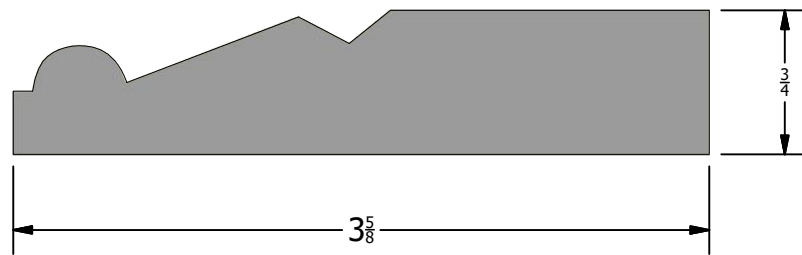
CB-36



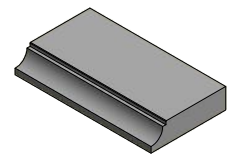
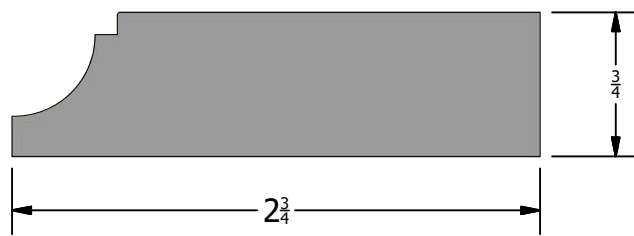
CB-37



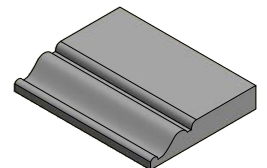
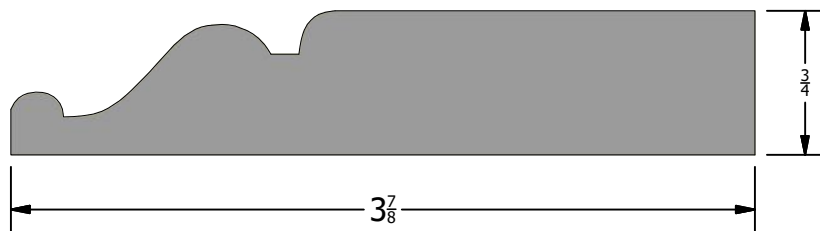
CB-38



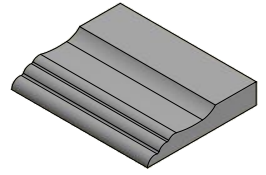
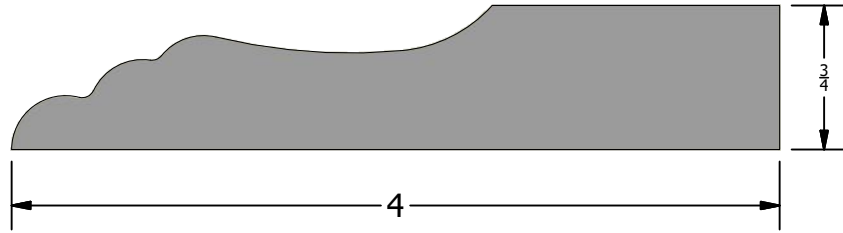
CB-39



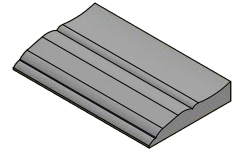
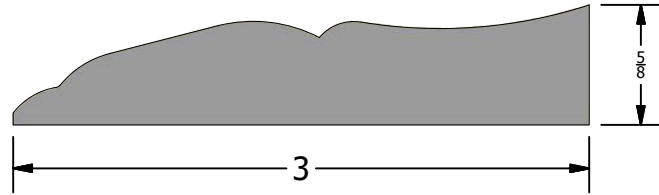
CB-40



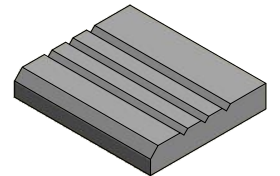
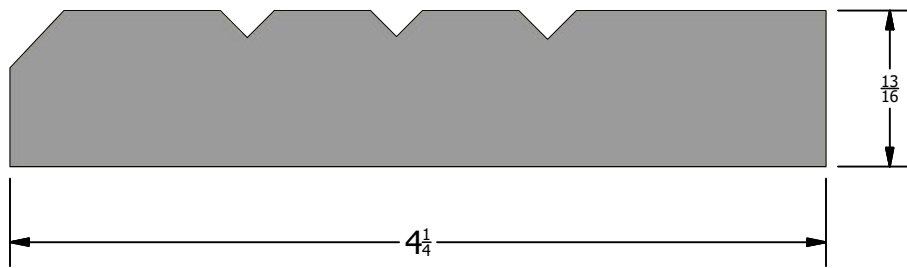
CB-41



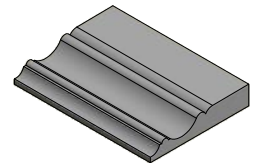
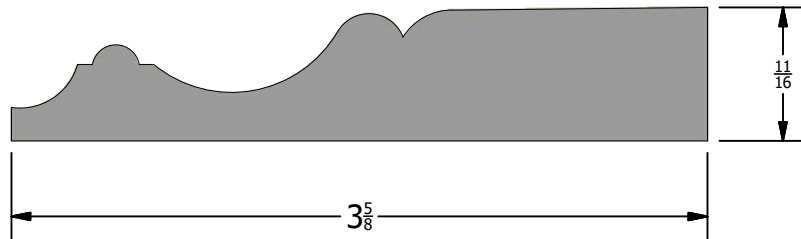
CB-42



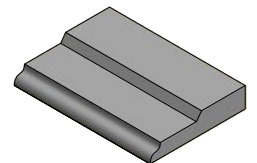
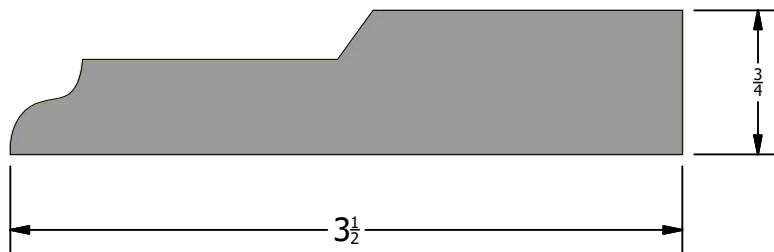
CB-43



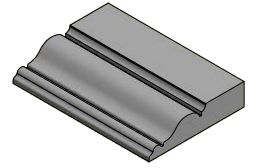
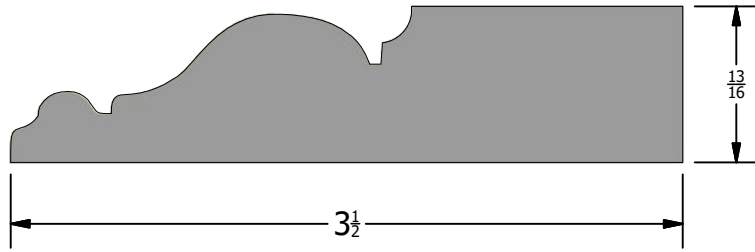
CB-44



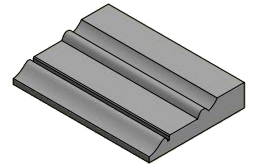
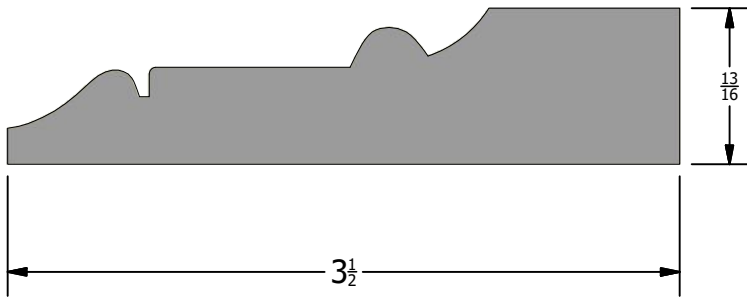
CB-45



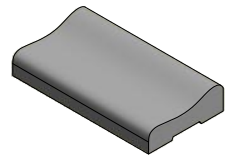
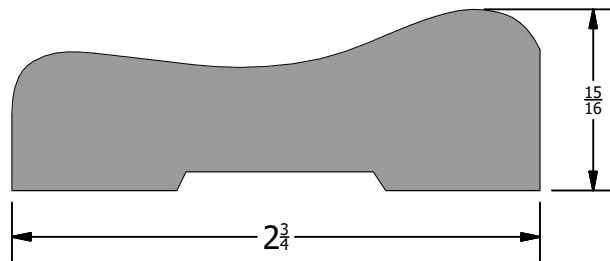
CB-46



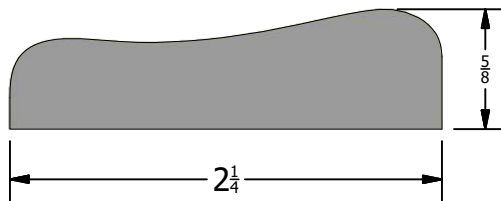
CB-47



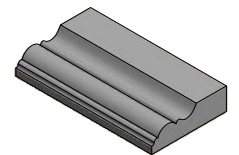
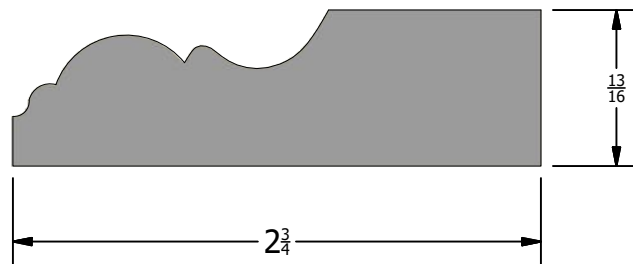
CB-48-A



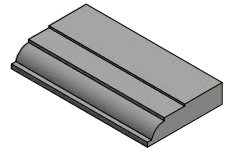
CB-48-B



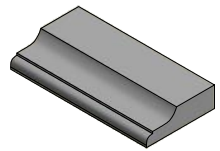
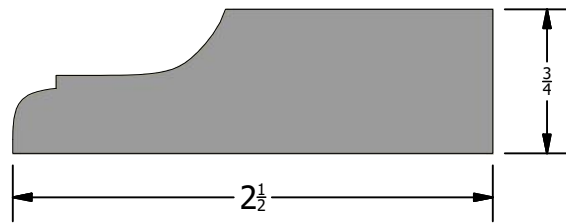
CB-49



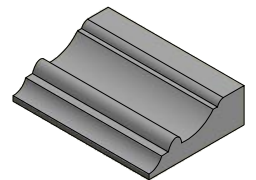
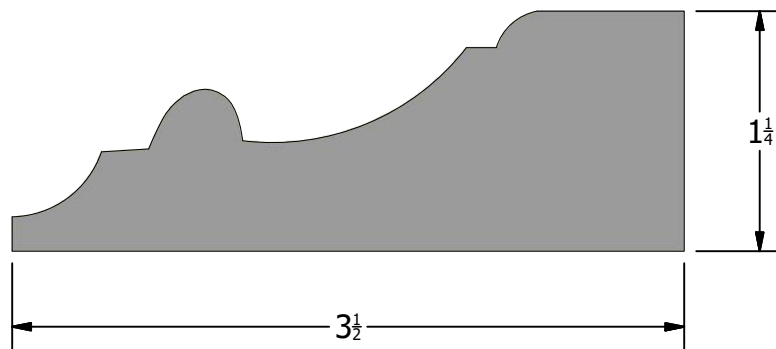
CB-50



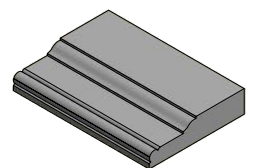
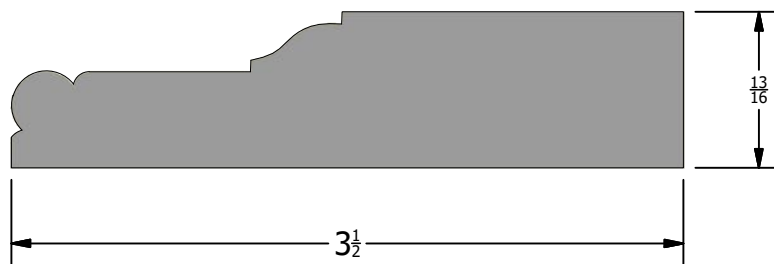
CB-51



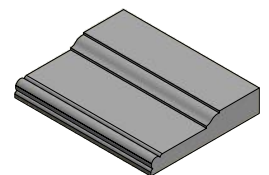
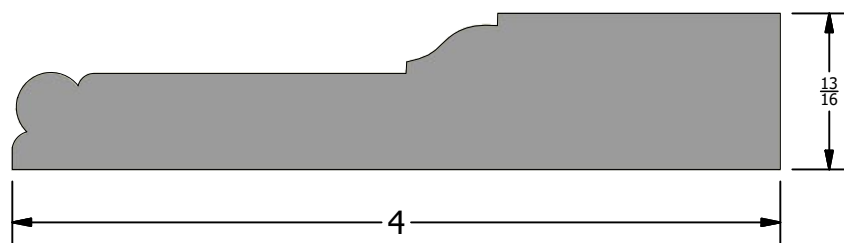
CB-52



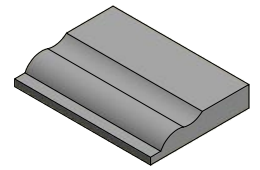
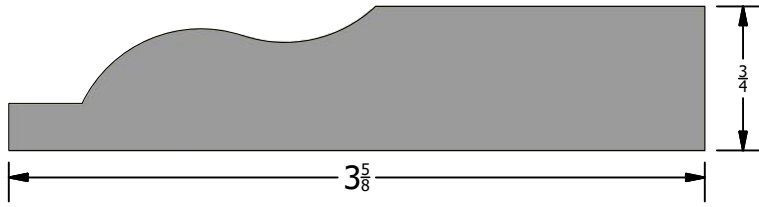
CB-53-A



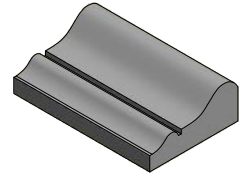
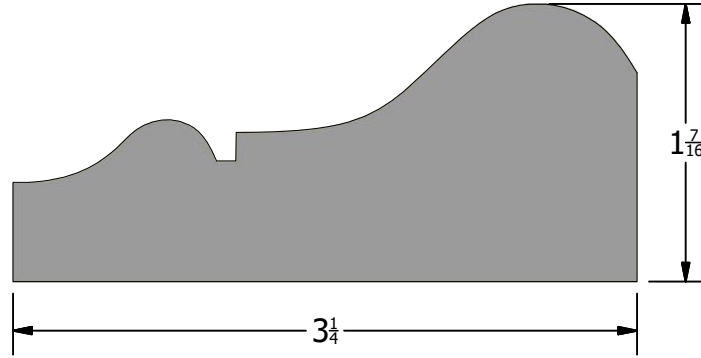
CB-53-B



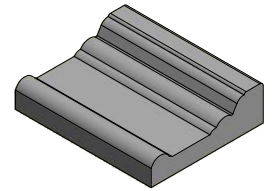
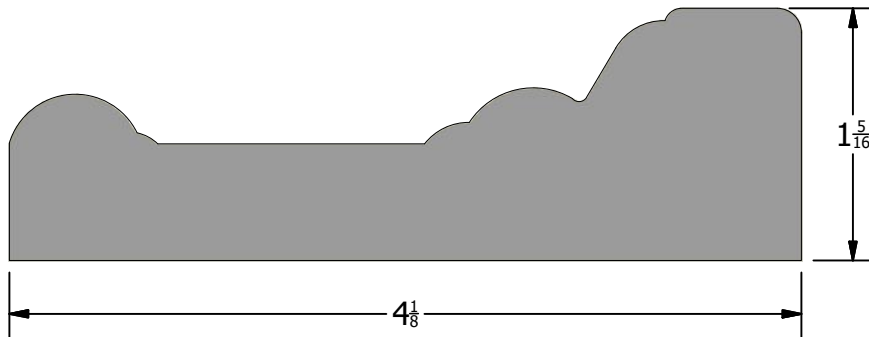
CB-54



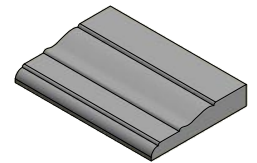
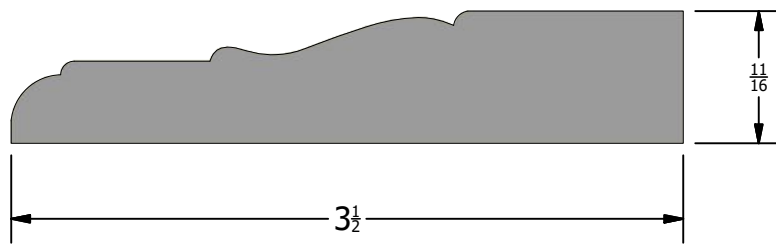
CB-55



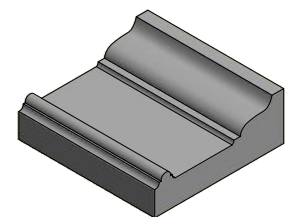
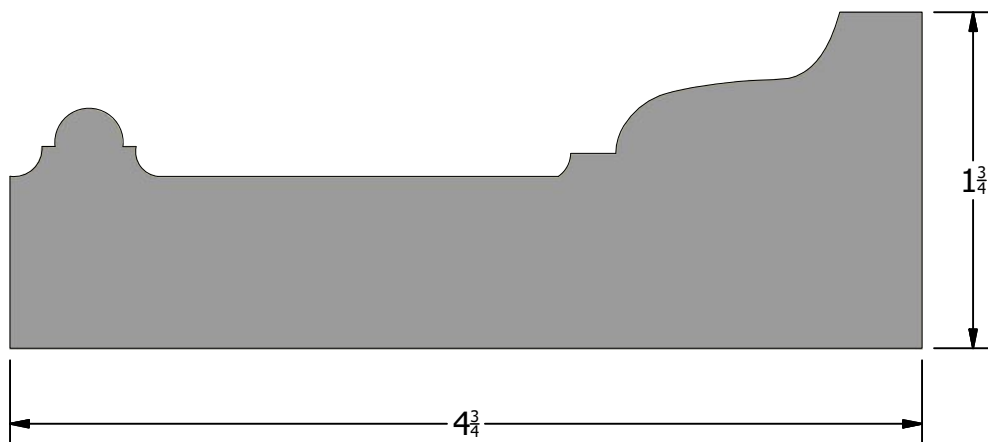
CB-56



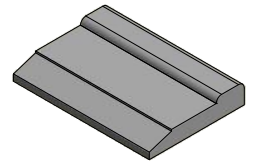
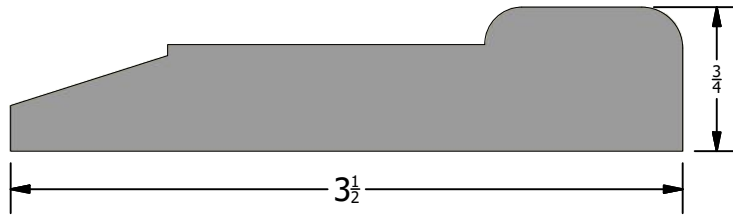
CB-57



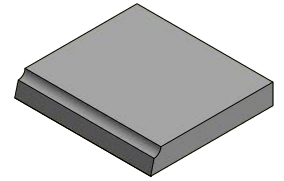
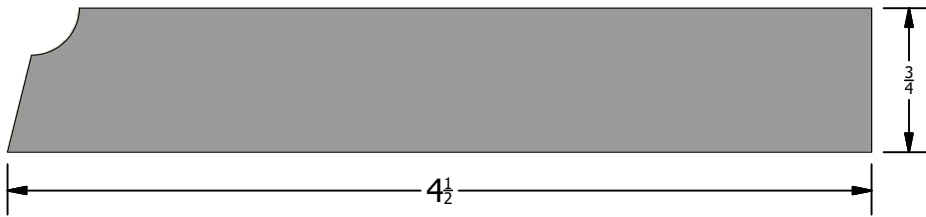
CB-58



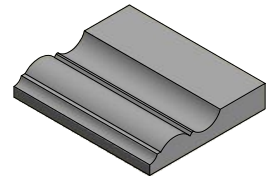
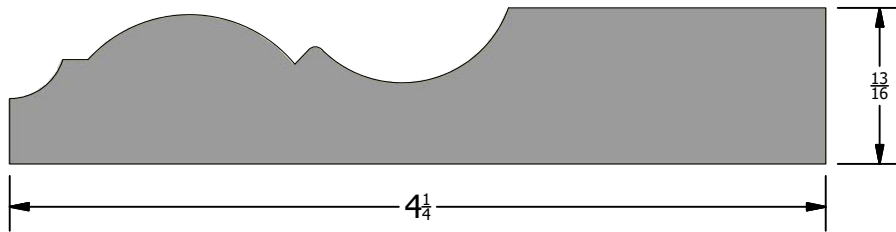
CB-59



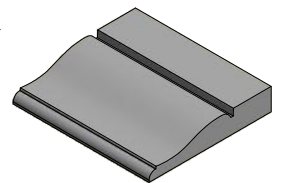
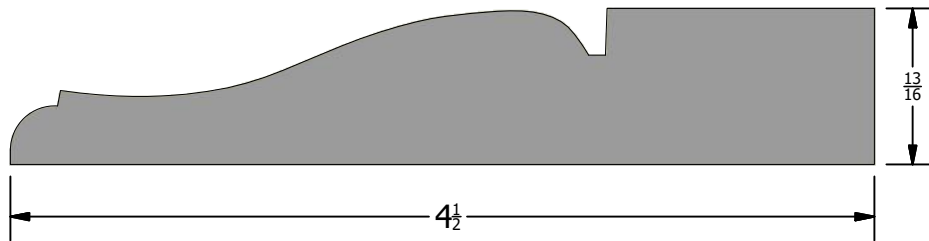
CB-60



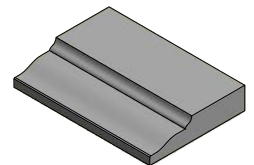
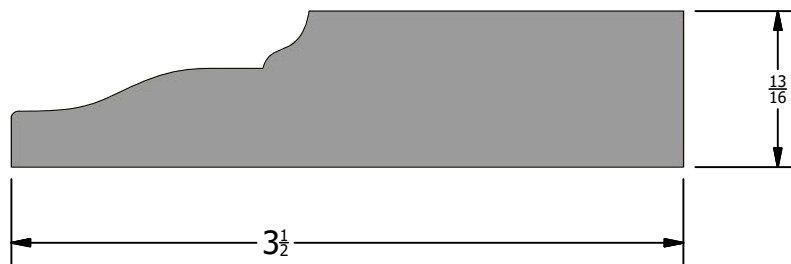
CB-61



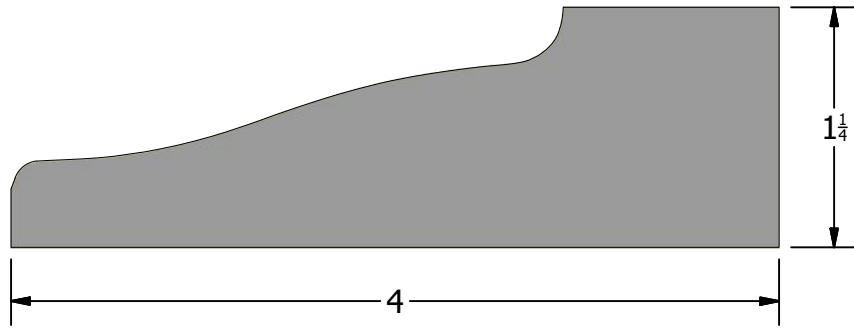
CB-62



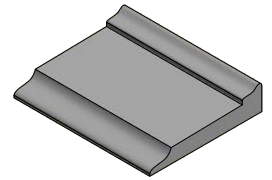
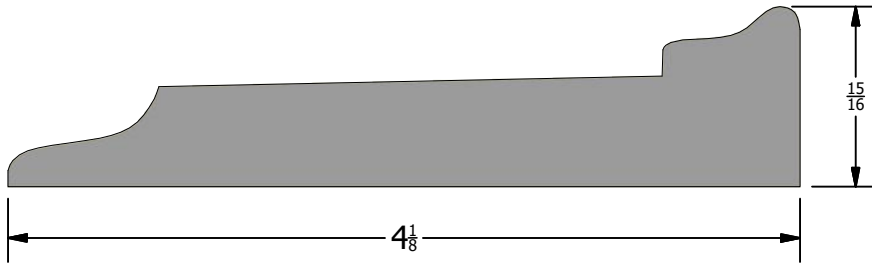
CB-63



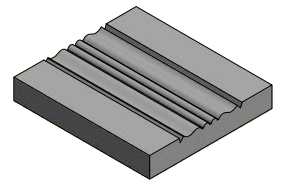
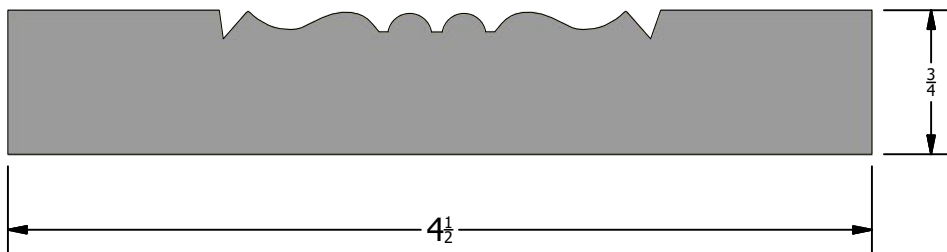
CB-64



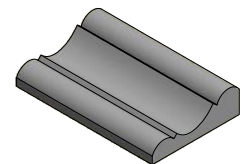
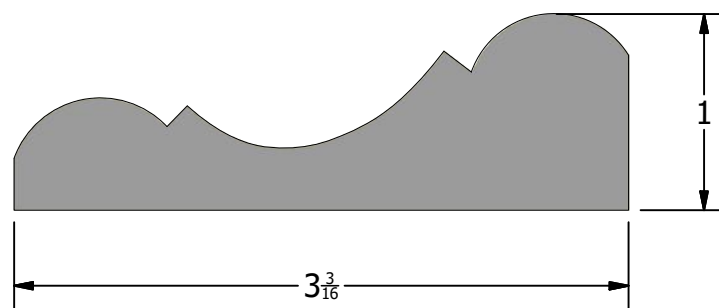
CB-65



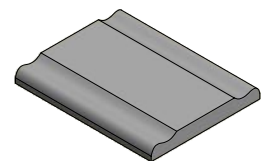
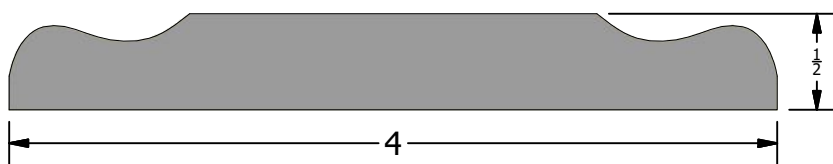
CB-67



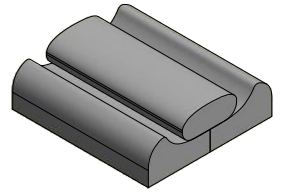
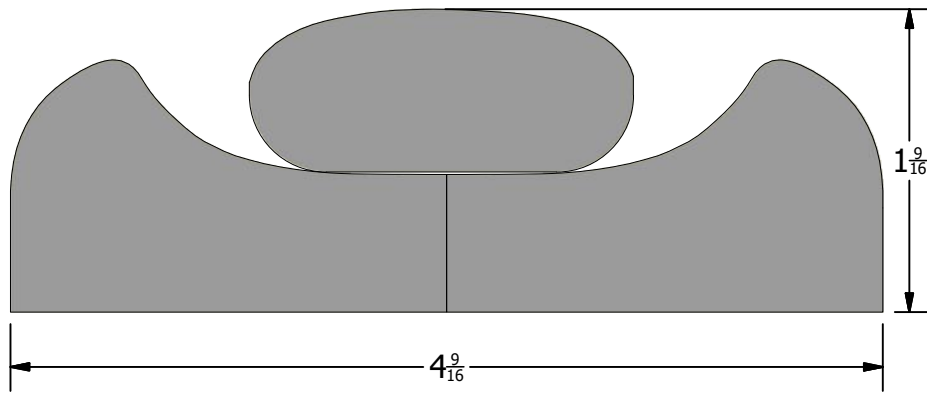
CB-68



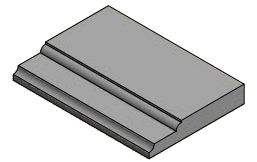
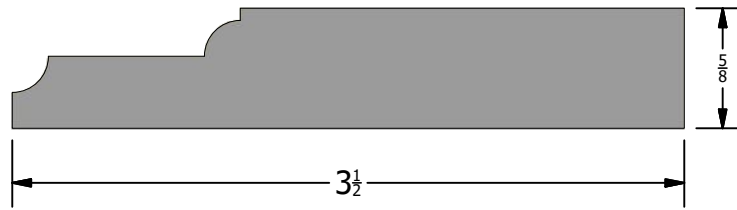
CB-69



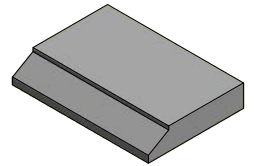
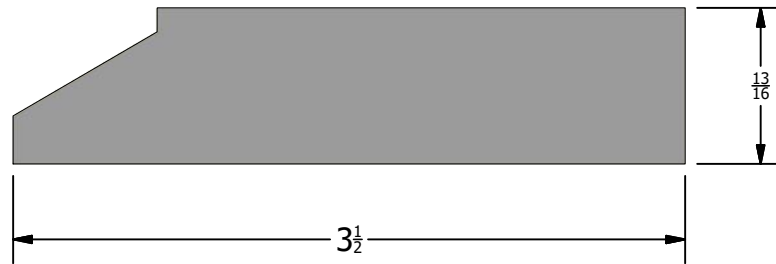
CB-70



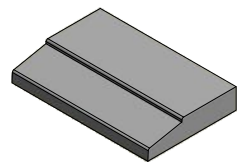
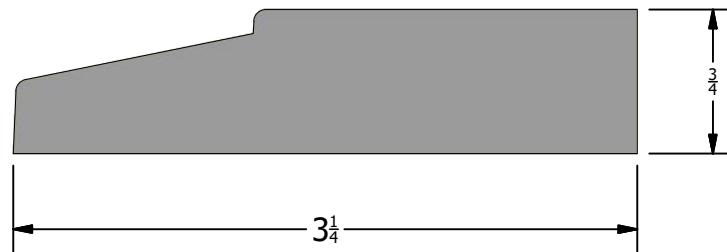
CB-71



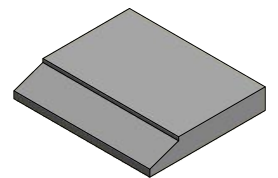
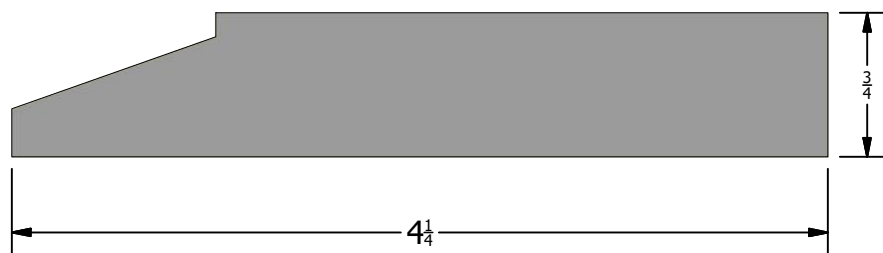
CB-72-A



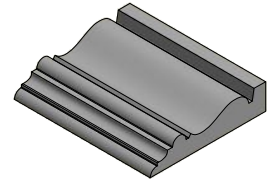
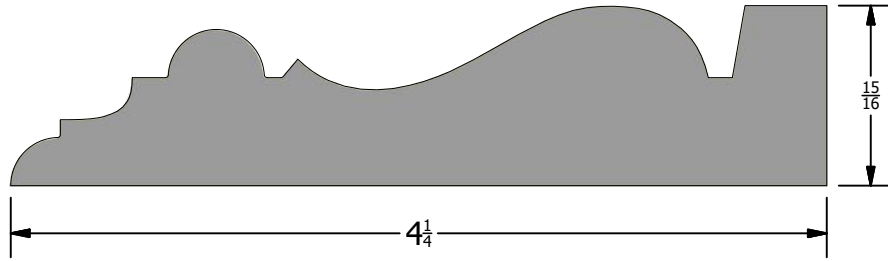
CB-72-B



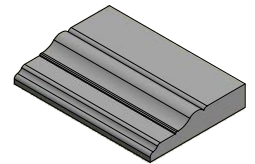
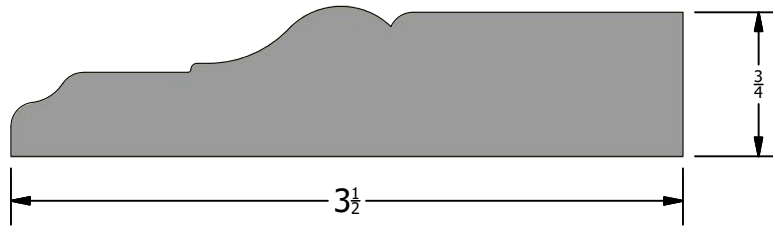
CB-72-C



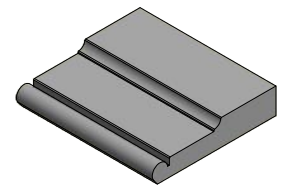
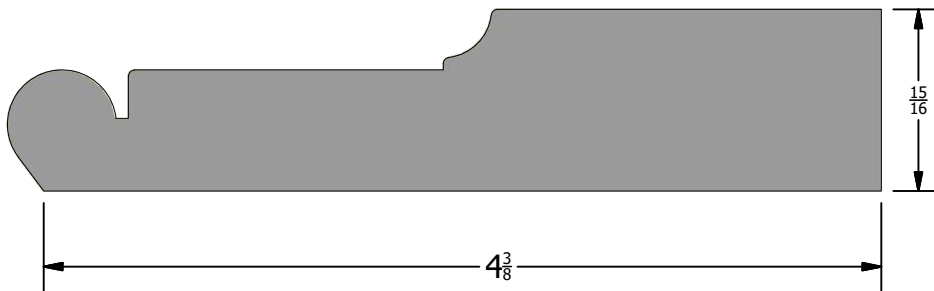
CB-73



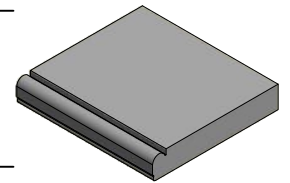
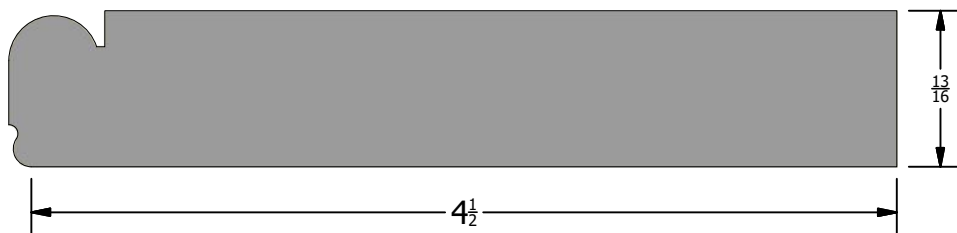
CB-74



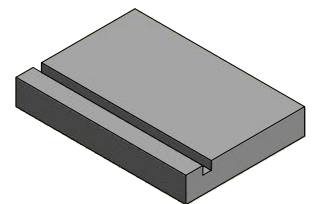
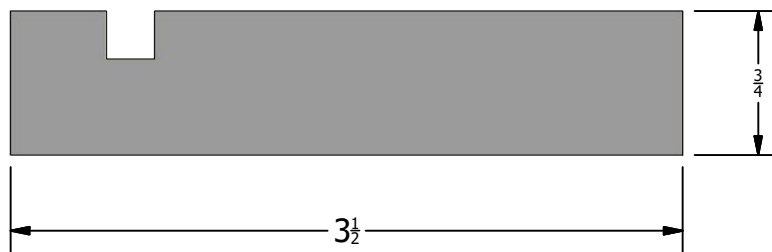
CB-75



CB-76

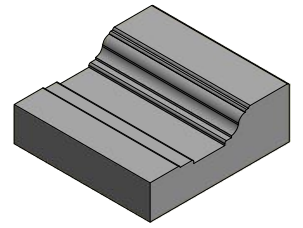
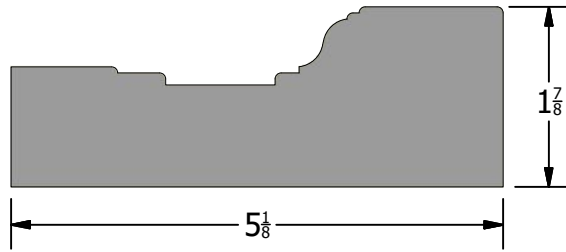


CB-77

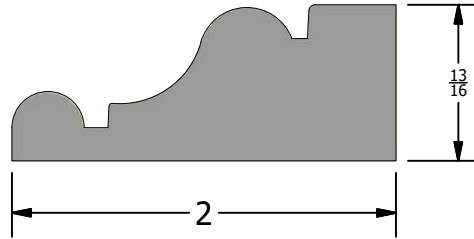


CB-78

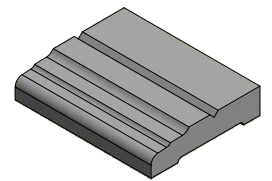
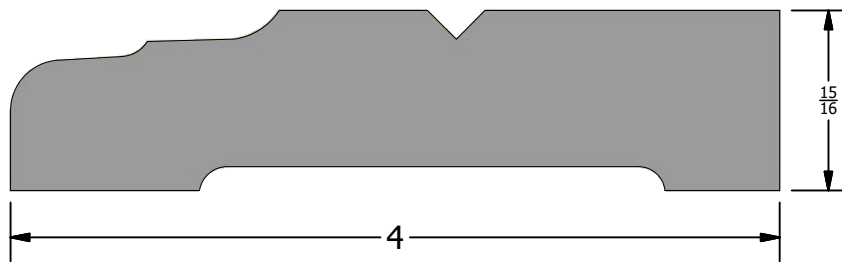
Scale
1 / 2



CB-79



CB-80

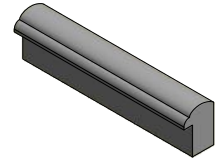
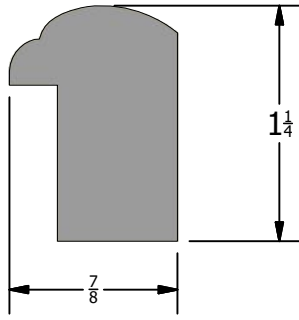


Back Band

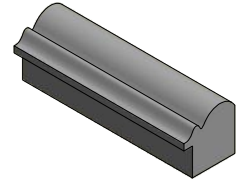
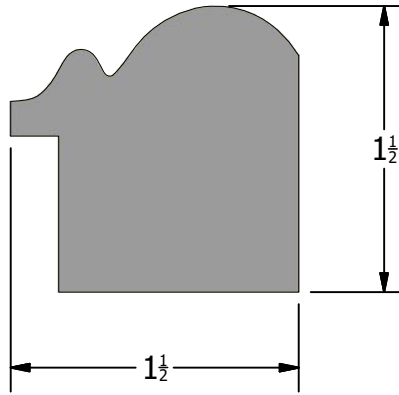
- Standard lap is 1/4" but can be modified.
- Heights adjust according to casing thickness.
- Most back band can be modified on the back edge to add or remove width or a step detail.



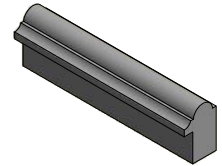
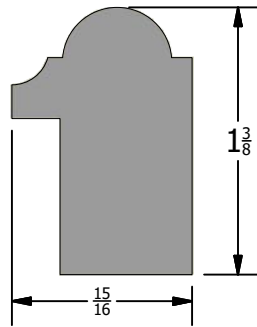
BB-01



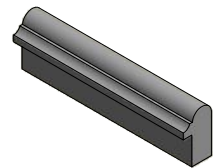
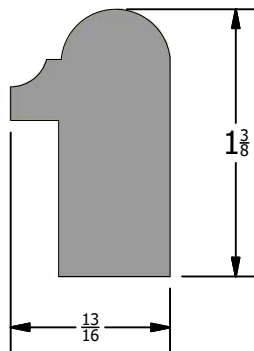
BB-02



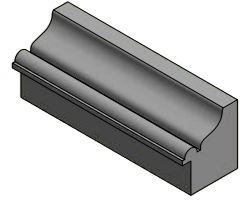
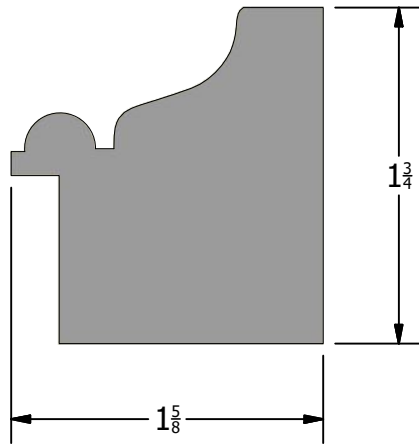
BB-03-A



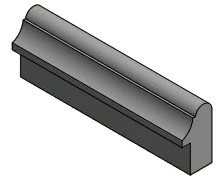
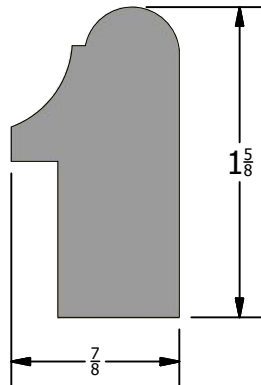
BB-03-B



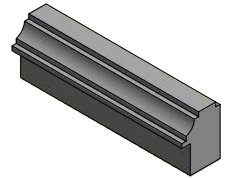
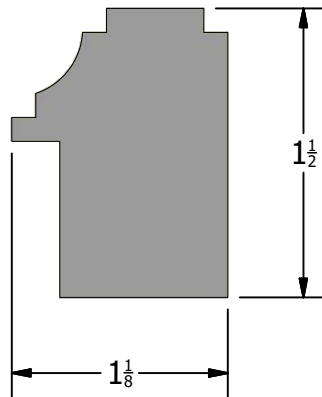
BB-04



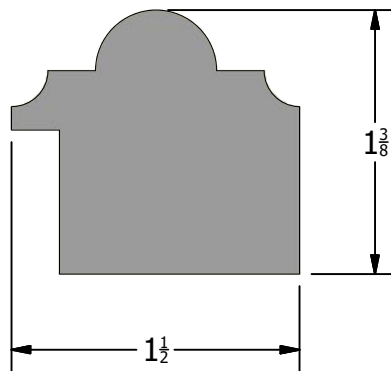
BB-05



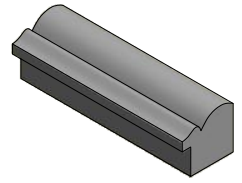
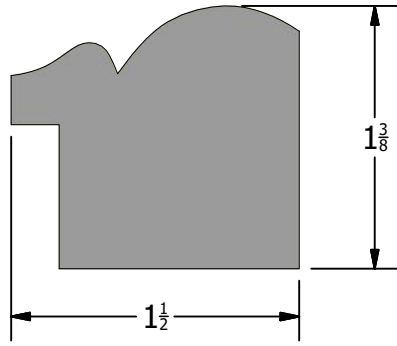
BB-06



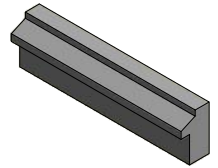
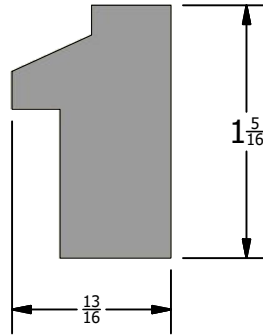
BB-07



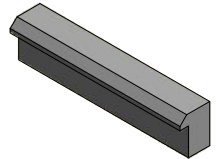
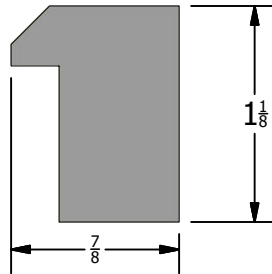
BB-08



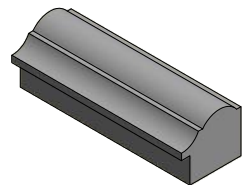
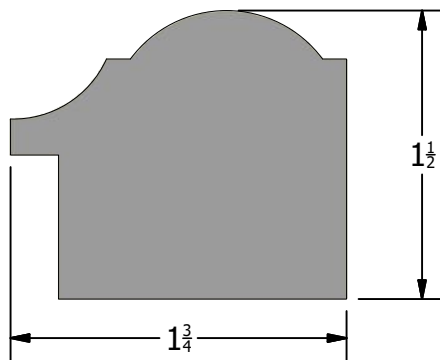
BB-09



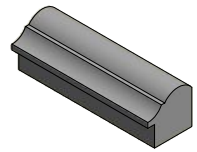
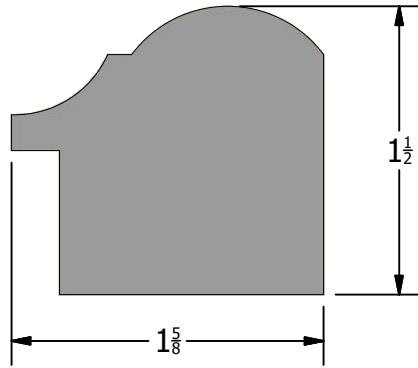
BB-10



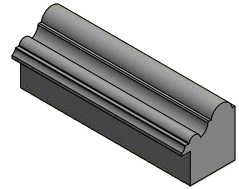
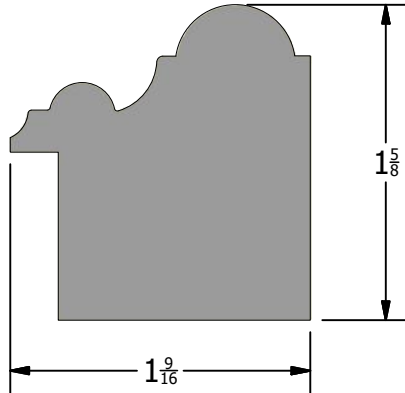
BB-11-A



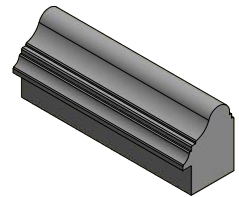
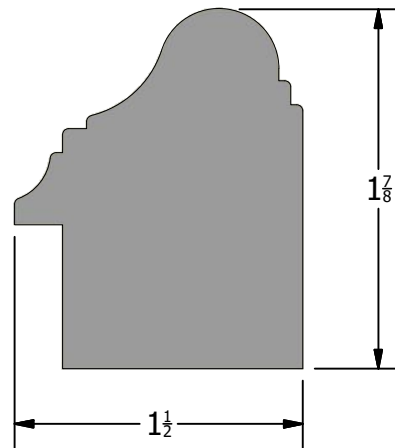
BB-11-B



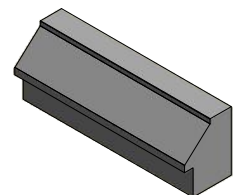
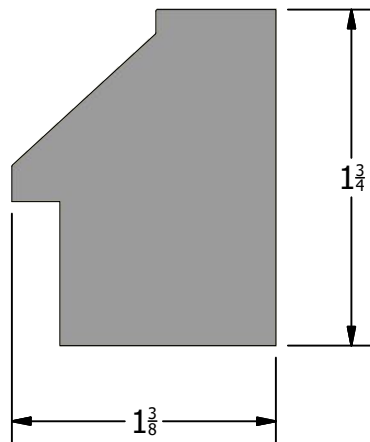
BB-12



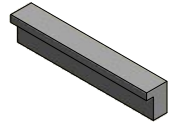
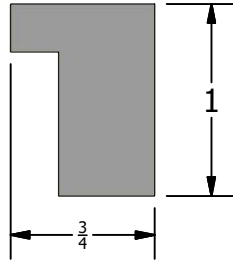
BB-13



BB-14



BB-15

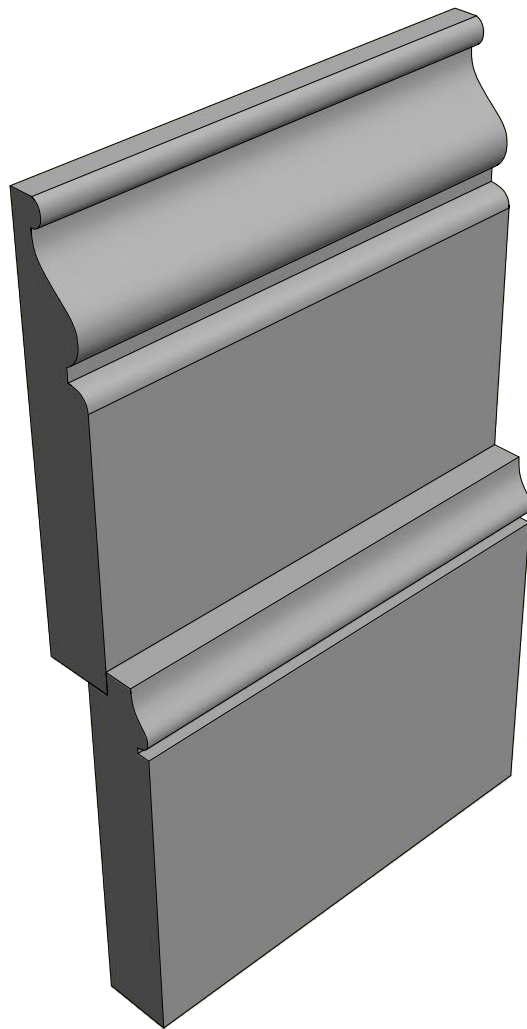


Base Board

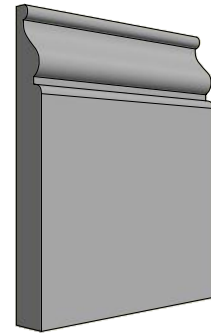
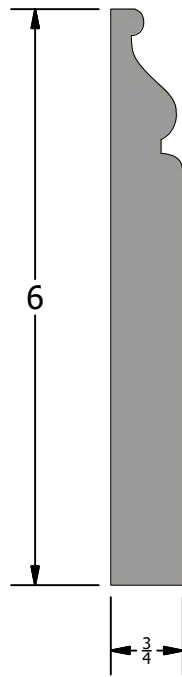
-CB moulds used as base are standard thickness of 11/16".

-Most of the following base moulds need to be as the thickness shown or thicker.

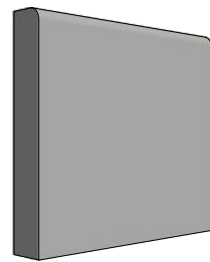
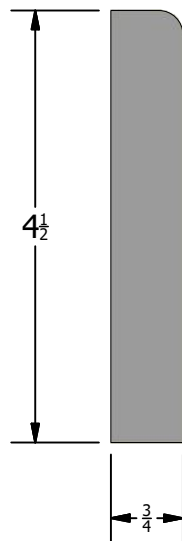
-Both CB & base moulds can be stacked to achieve a taller base and control material shrinkage.



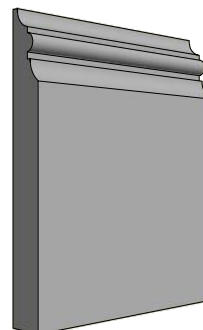
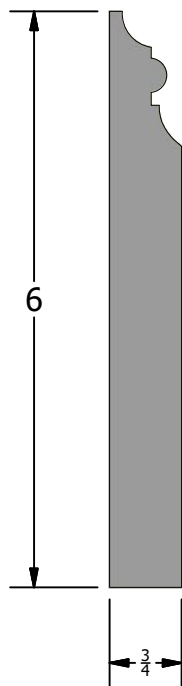
Base-01



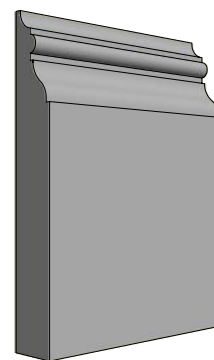
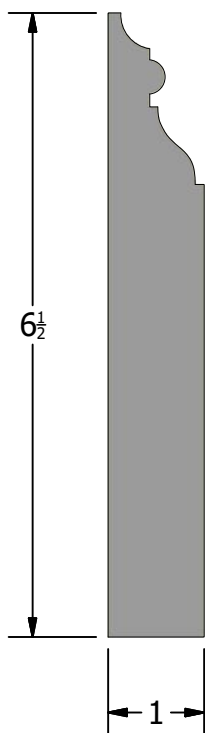
Base-02



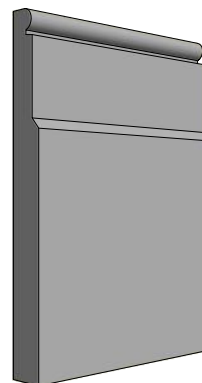
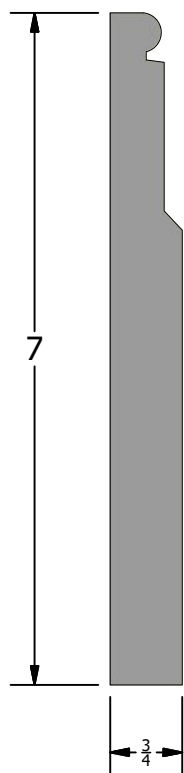
Base-03
Scale
1 / 2



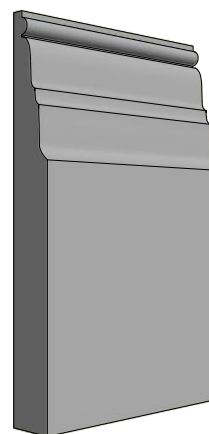
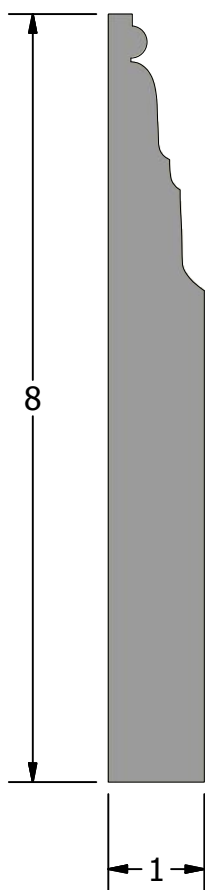
Base-04
Scale
1 / 2



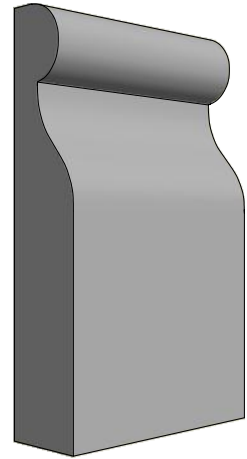
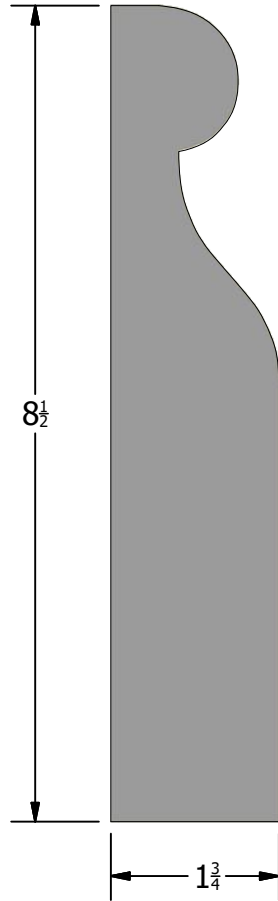
Base-05
Scale
1 / 2



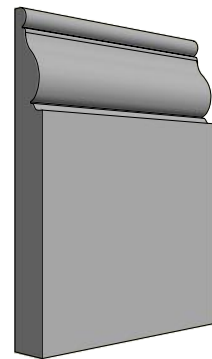
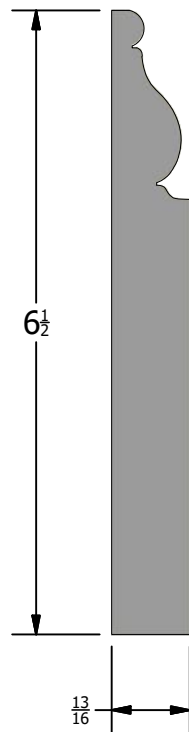
Base-06
Scale
1 / 2



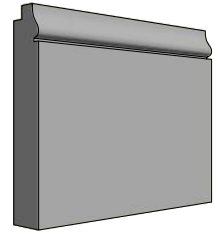
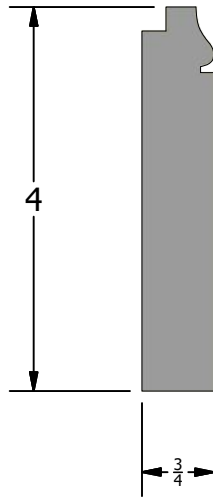
Base-07
Scale
1 / 2



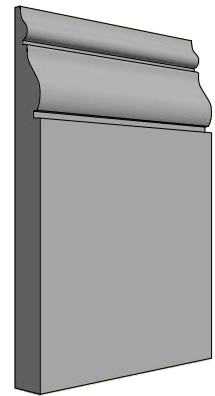
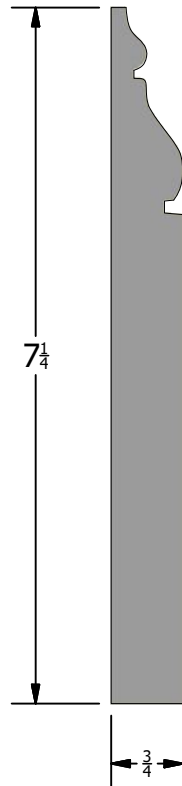
Base-08
Scale
1 / 2



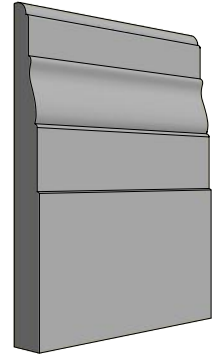
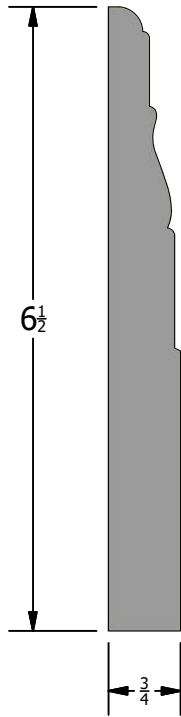
Base-09
Scale
1 / 2



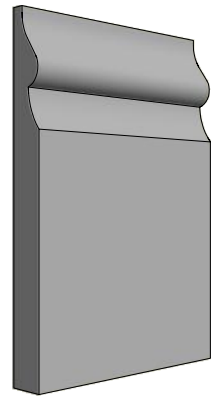
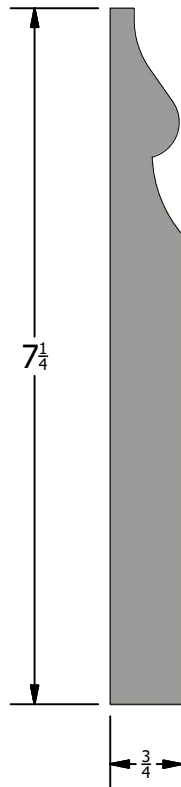
Base-10
Scale
1 / 2



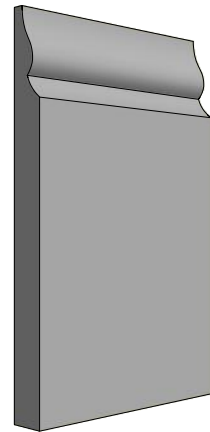
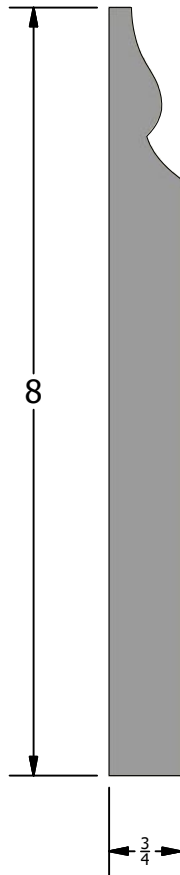
Base-11
Scale
1 / 2



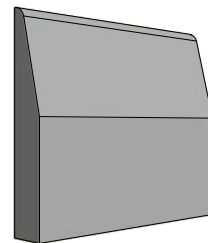
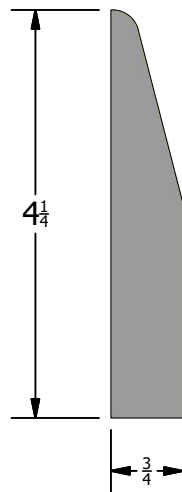
Base-12
Scale
1 / 2



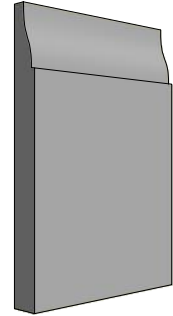
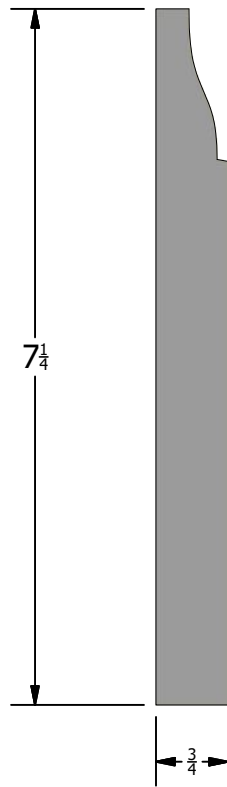
Base-13
Scale
1 / 2



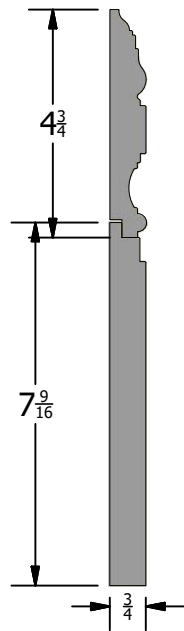
Base-14
Scale
1 / 2



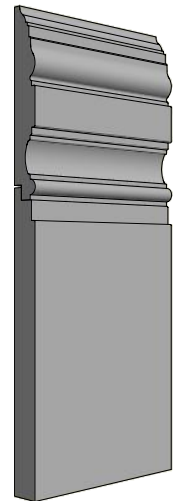
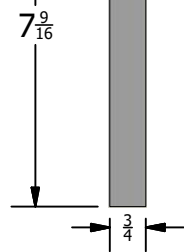
Base-15
Scale
1 / 2



Base-16-A
Scale
1 / 2

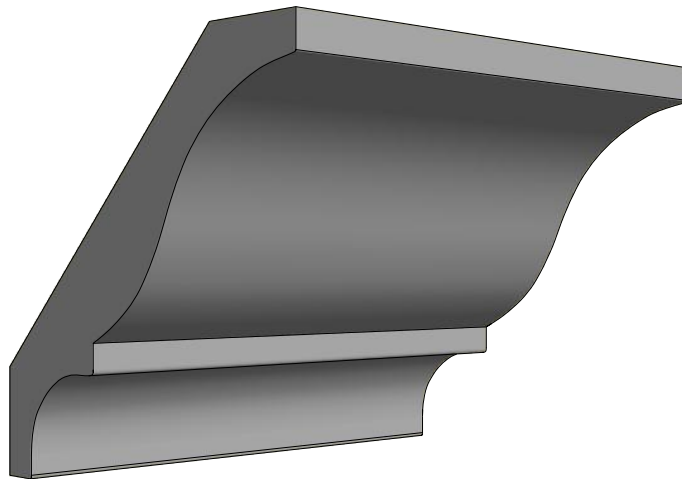


Base-16-B
Scale
1 / 2

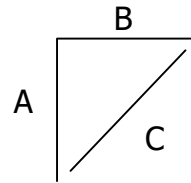
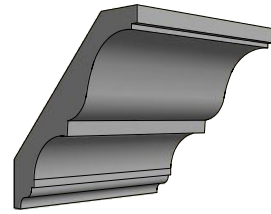
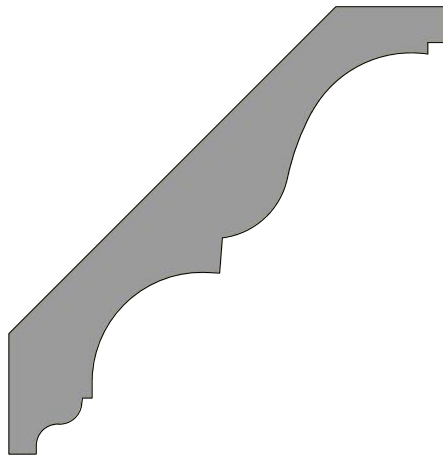


Crown Mould

- There are minimal modifications that can be made to crown moulding profiles.
- Dimensions and stock requirements are as indicated.



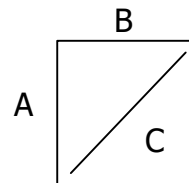
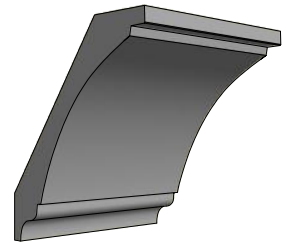
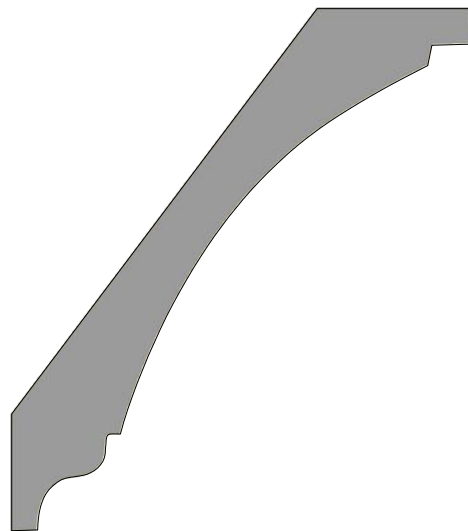
CRO-01



A: 4 1/2"
B: 4 1/2"
C: 6 3/8"

6/4

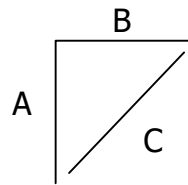
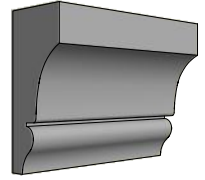
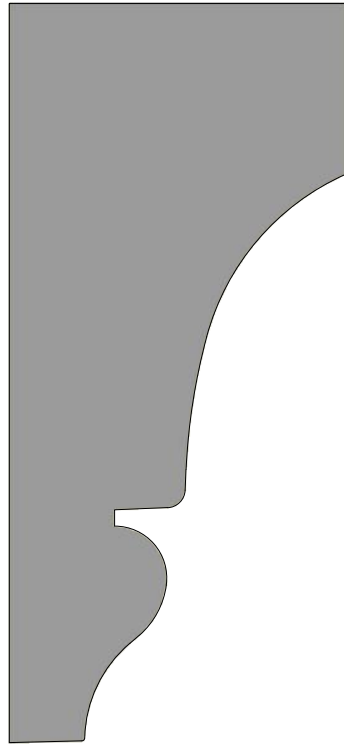
CRO-02



A: 5 7/16"
B: 4 13/16"
C: 7 1/4"

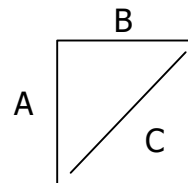
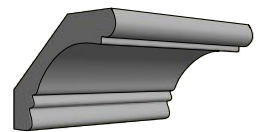
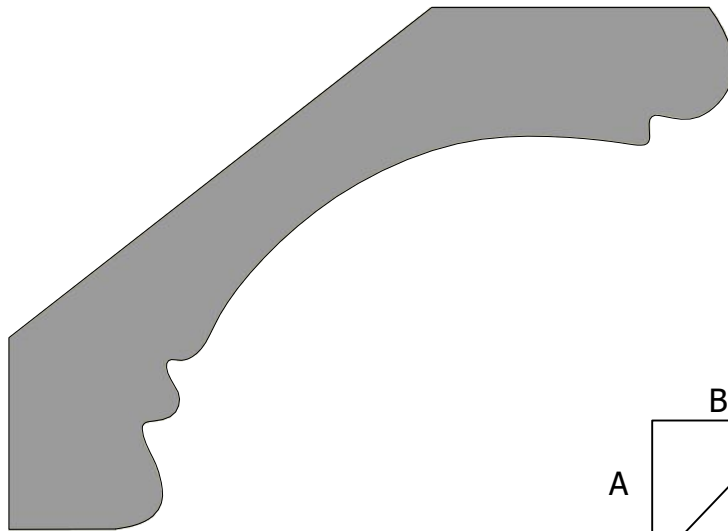
6/4

CRO-03



A: 3 5/8"
B: 2"
C: 4 1/8"

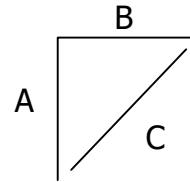
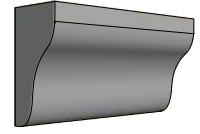
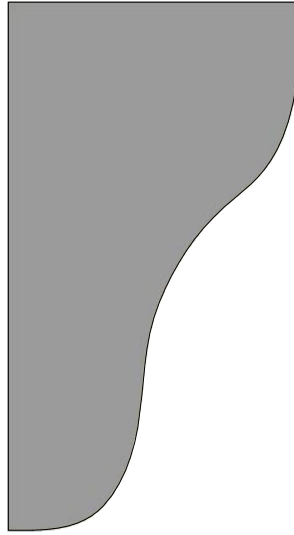
CRO-04



A: 2 11/16"
B: 3 5/8"
C: 4 9/16"

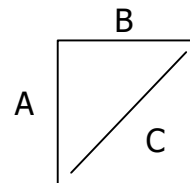
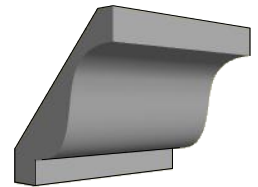
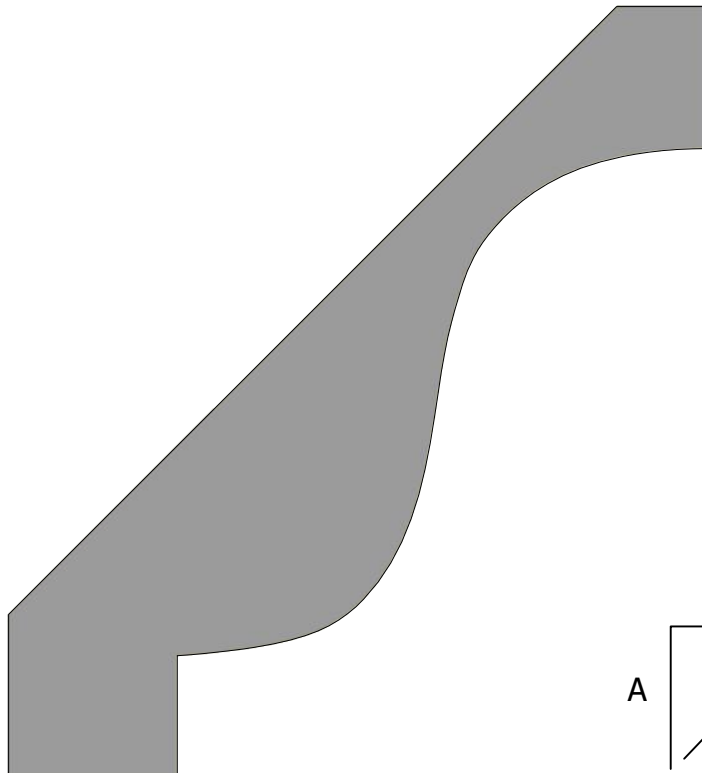
6/4

CRO-05



A: 2 3/4"
B: 1 1/2"
C: 3 1/8"

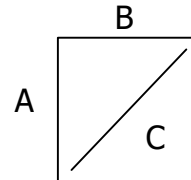
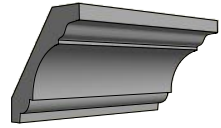
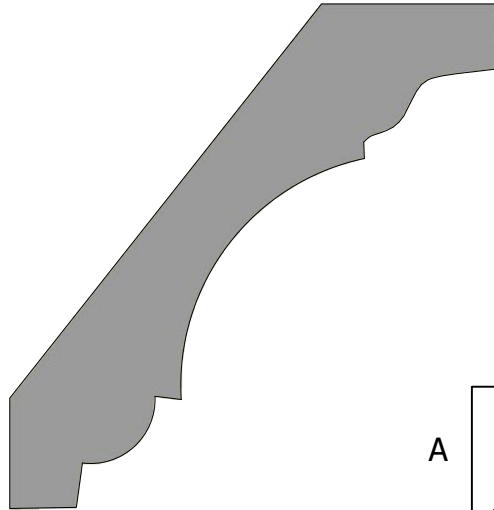
CRO-06



A: 4"
B: 3 5/8"
C: 5 7/16"

6/4

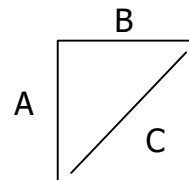
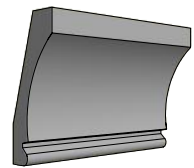
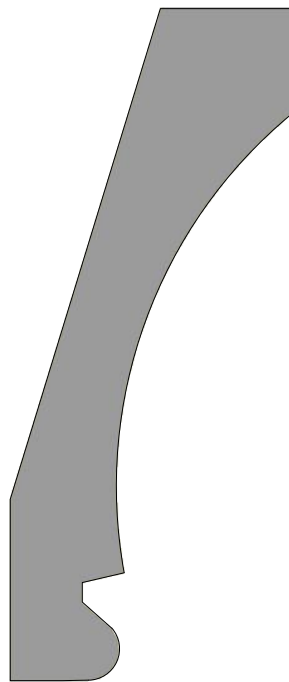
CRO-07



A: 2 5/8"
B: 2 9/16"
C: 3 5/8"

4/4

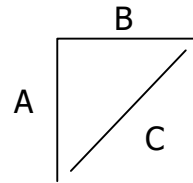
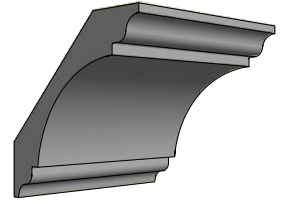
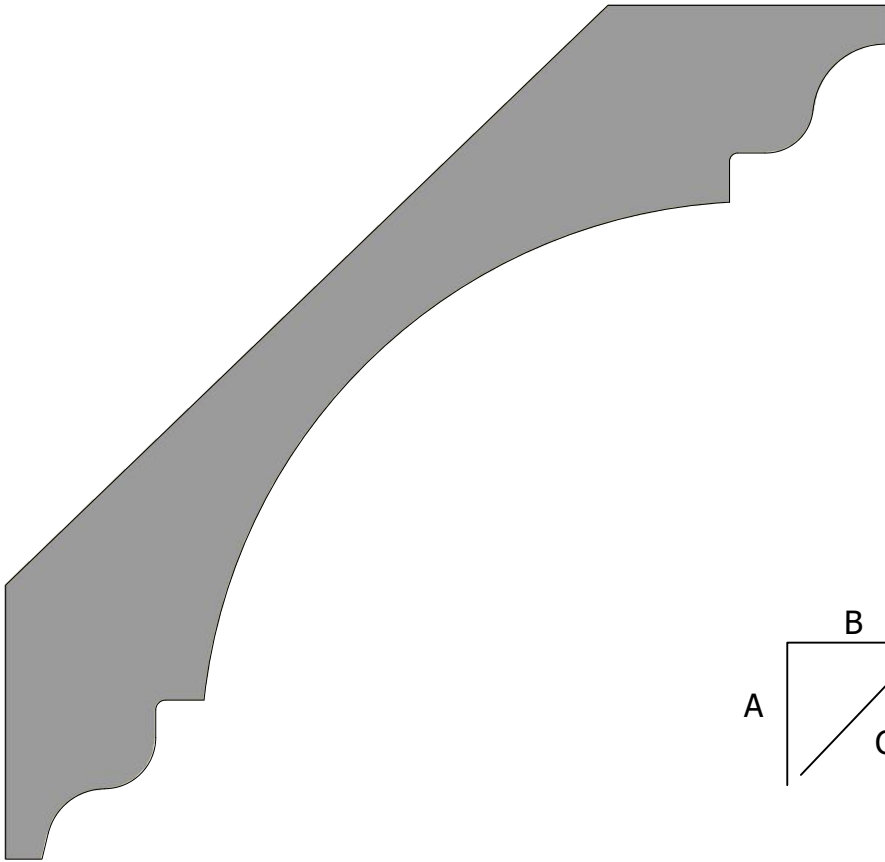
CRO-08



A: 3 1/2"
B: 1 7/16"
C: 3 13/16"

4/4

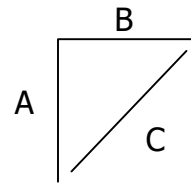
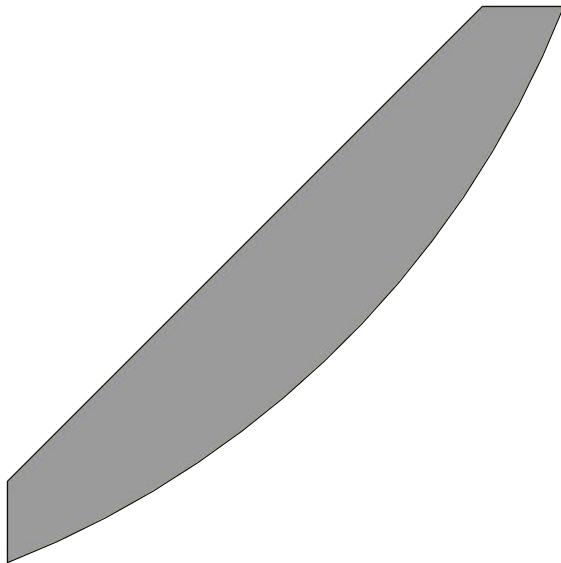
CRO-09



A: 4 7/16"
B: 4 9/16"
C: 6 3/8"

6/4

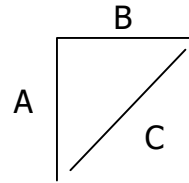
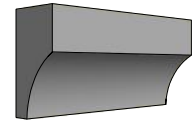
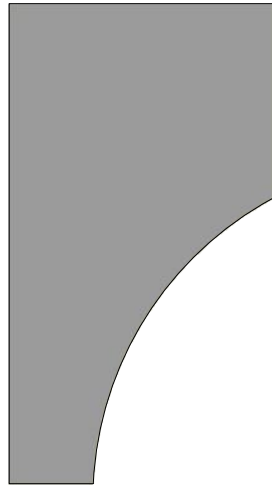
CRO-10



A: 2 7/8"
B: 2 7/8"
C: 4 1/8"

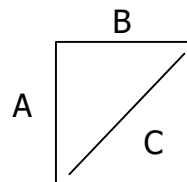
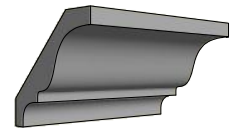
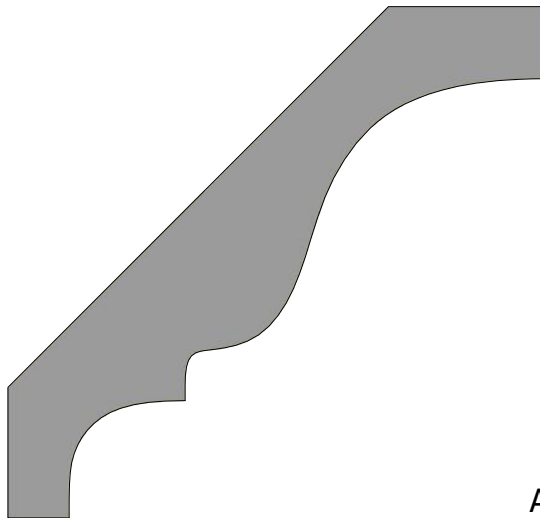
4/4

CRO-11



A: 2 1/2"
B: 1 3/8"
C: 2 7/8"

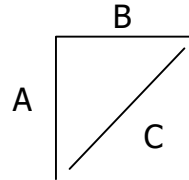
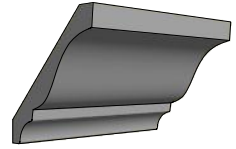
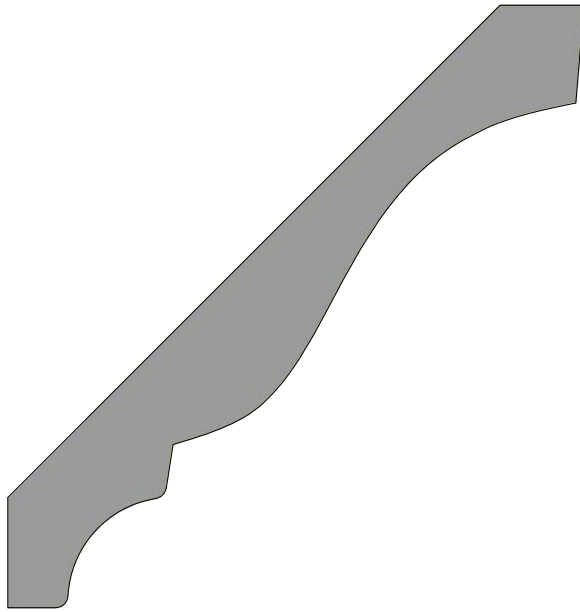
CRO-12-A



A: 2 11/16"
B: 2 13/16"
C: 3 7/8"

6/4

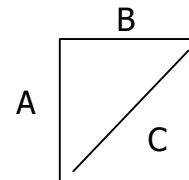
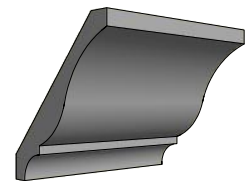
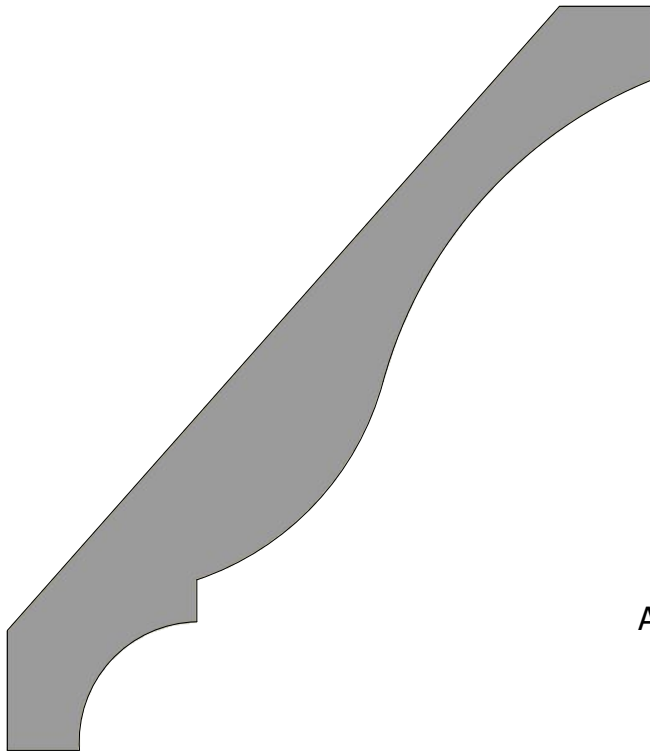
CRO-12-B



A: 3 1/8"
B: 3"
C: 4 5/16"

4/4

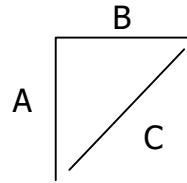
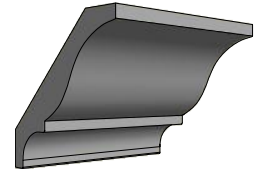
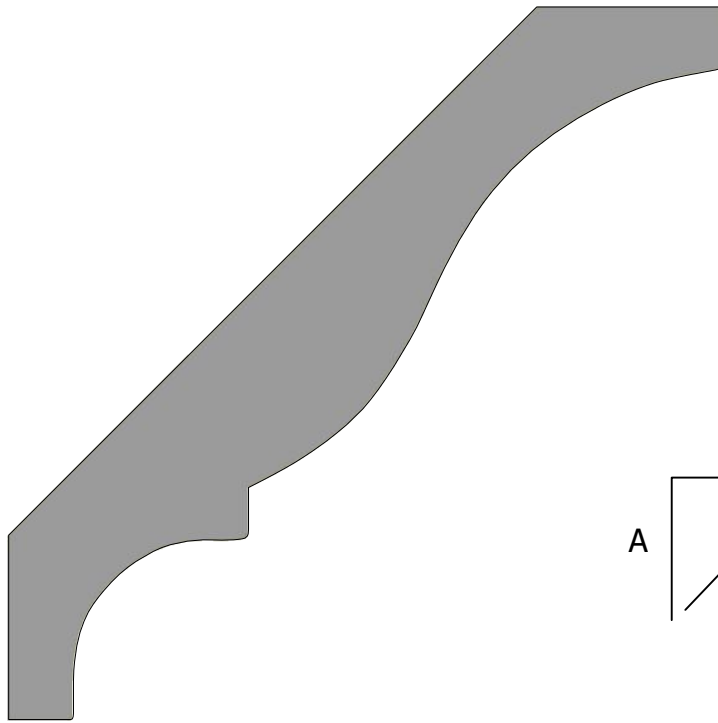
CRO-12-C



A: 3 7/8"
B: 3 3/8"
C: 5 1/8"

4/4

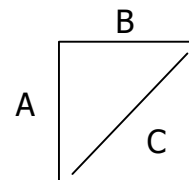
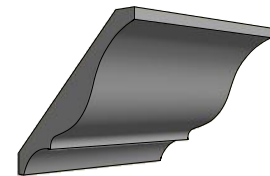
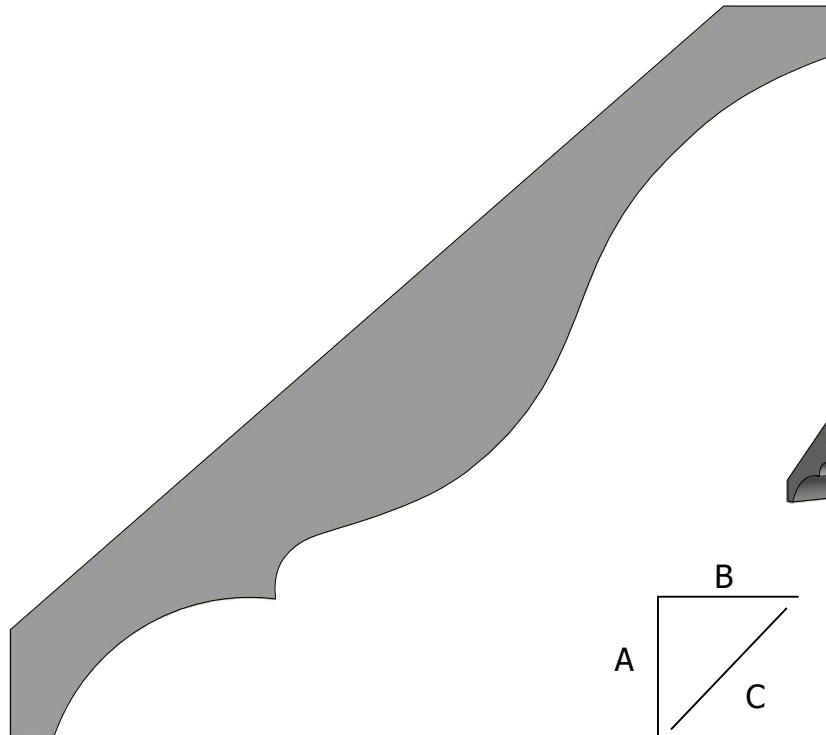
CRO-12-D



A: 3 11/16"
B: 3 3/4"
C: 5 1/4"

4/4

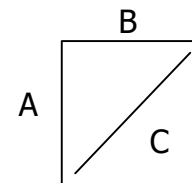
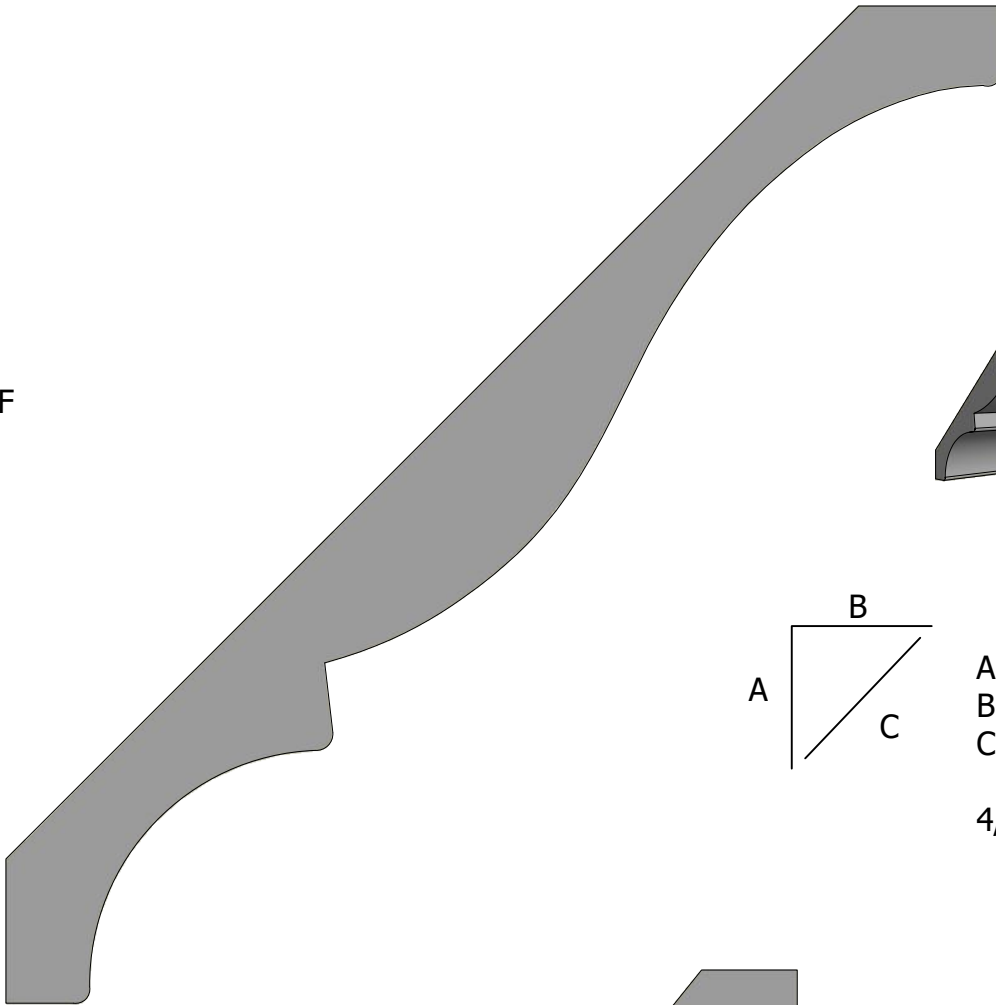
CRO-12-E



A: 3 13/16"
B: 4 1/4"
C: 5 3/4"

4/4

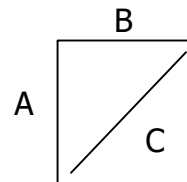
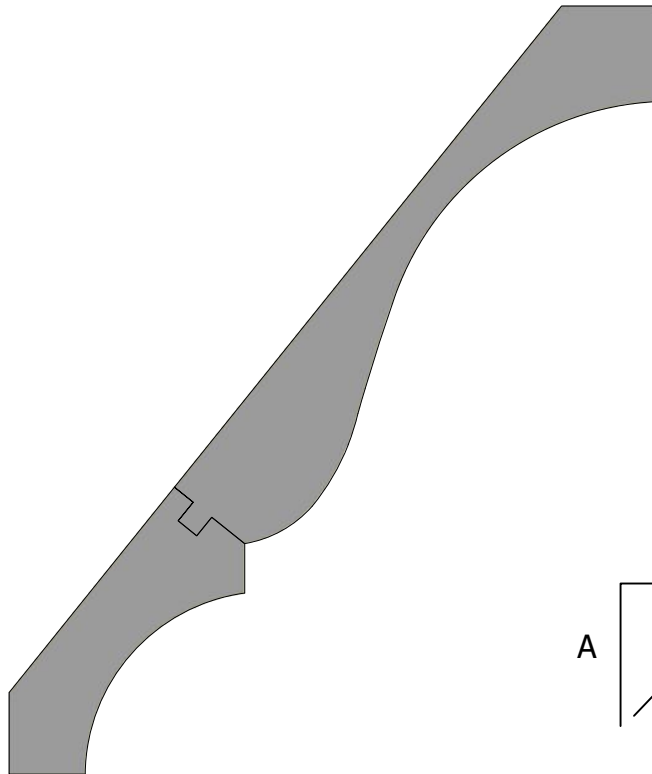
CRO-12-F



A: 5 3/16"
B: 5 3/16"
C: 7 5/16"

4/4

CRO-12-G

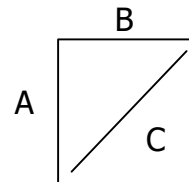
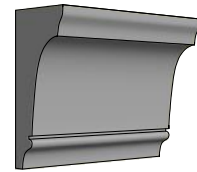
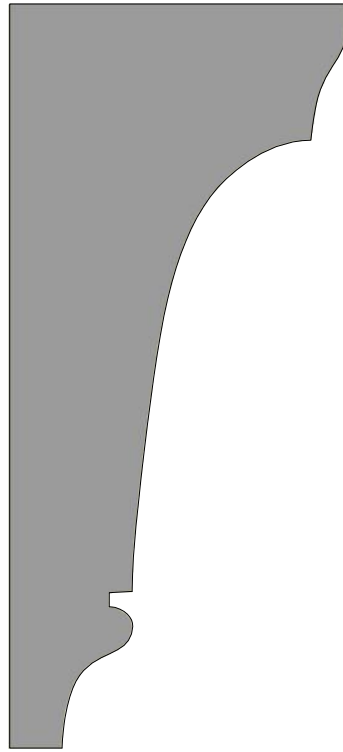


A: 8"
B: 6 3/4"
C: 10 7/16"

4/4

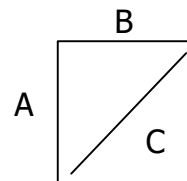
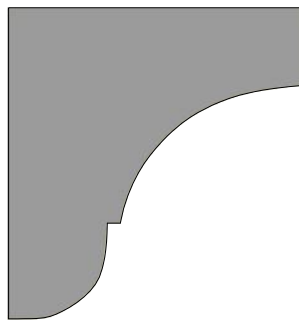


CRO-13



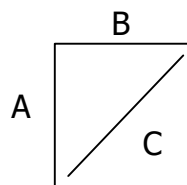
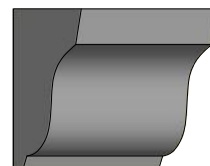
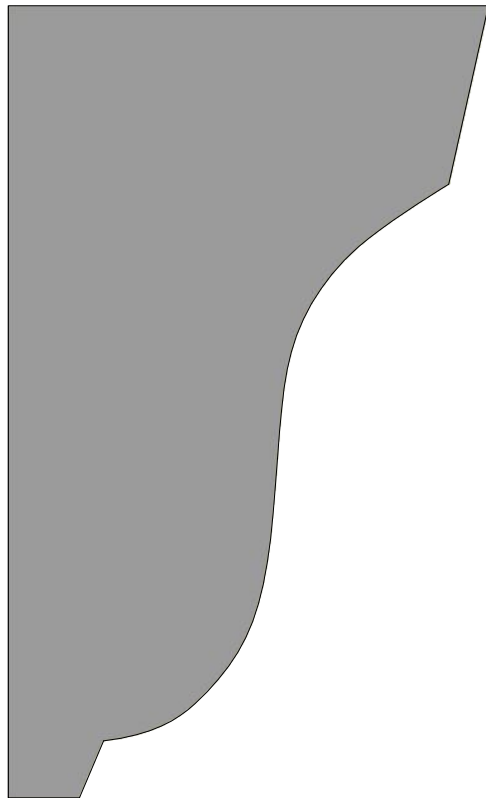
A: 3 7/8"
B: 1 3/4"
C: 4 1/4"

CRO-14



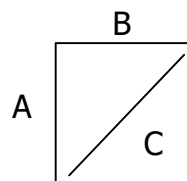
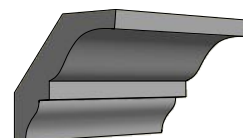
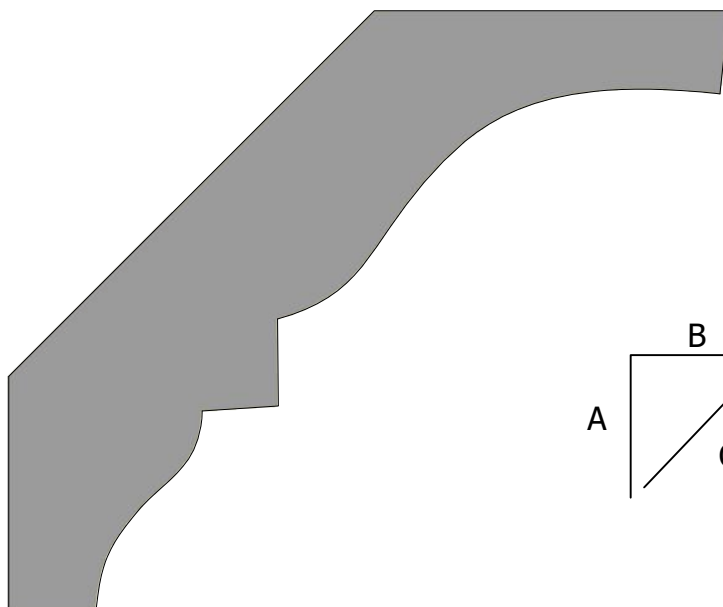
A: 1 5/8"
B: 1 1/2"
C: 2 1/4"

CRO-15



A: 4 1/8"
B: 2 1/2"
C: 4 13/16"

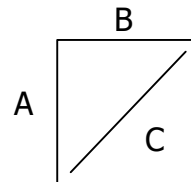
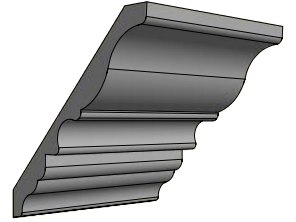
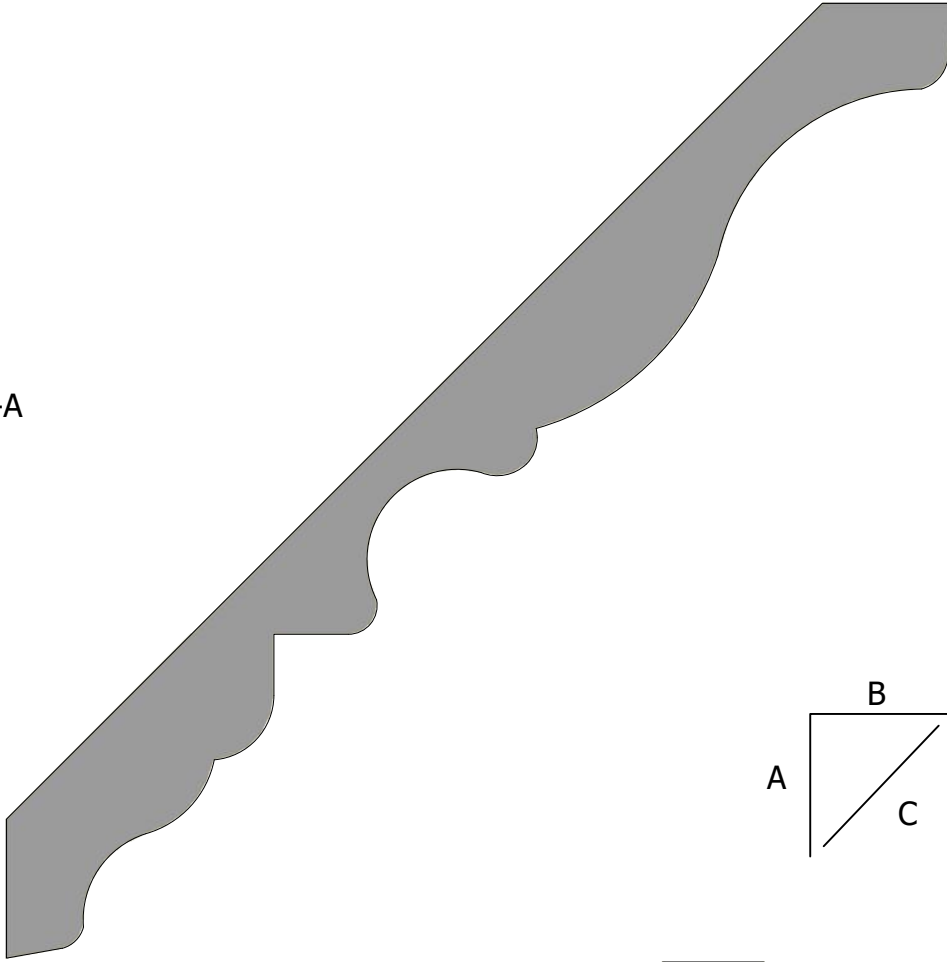
CRO-16



A: 3 1/8"
B: 3 3/4"
C: 4 7/8"

8/4

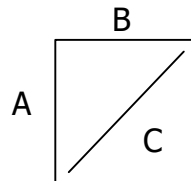
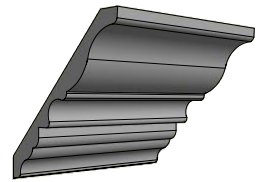
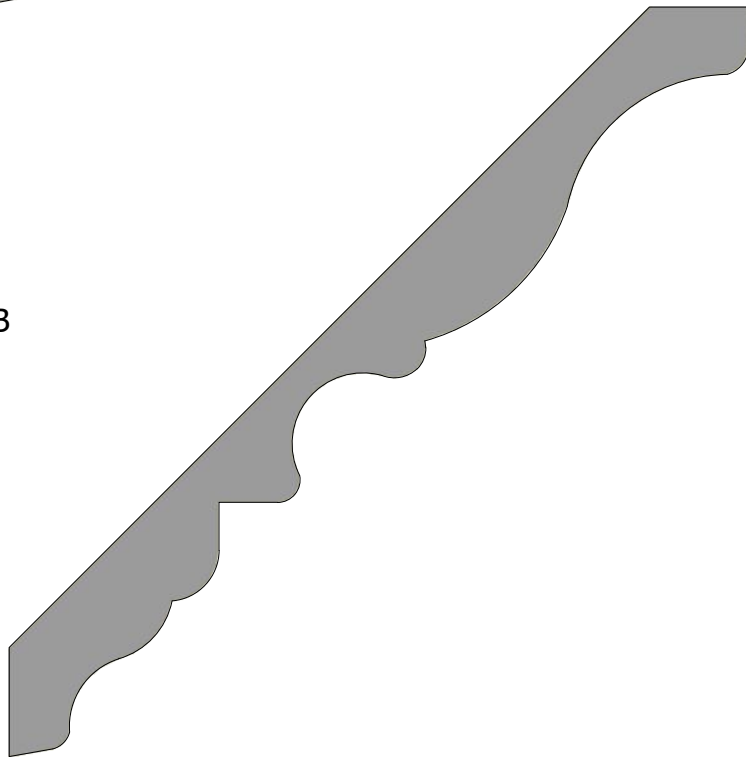
CRO-17-A



A: 5"
B: 4 15/16"
C: 7"

4/4

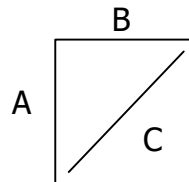
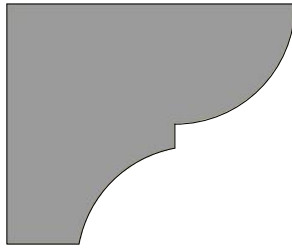
CRO-17-B



A: 3 7/8"
B: 3 7/8"
C: 5 1/2"

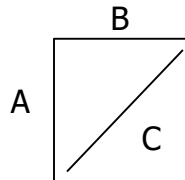
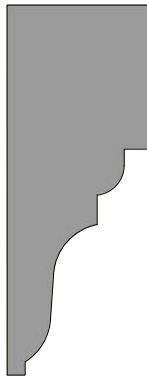
4/4

CRO-18



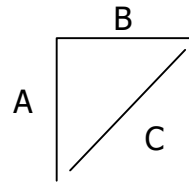
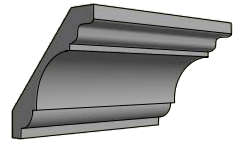
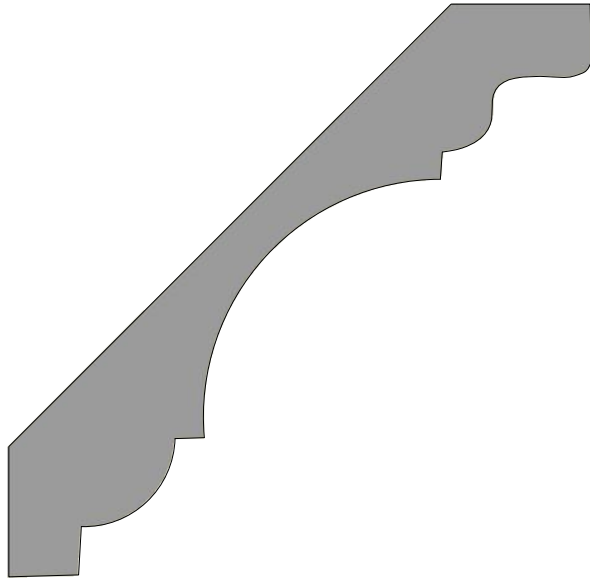
A: 1 1/4"
B: 1 1/2"
C: 1 15/16"

CRO-19



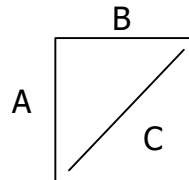
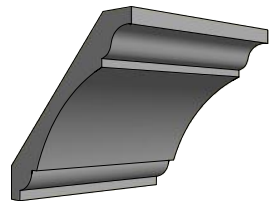
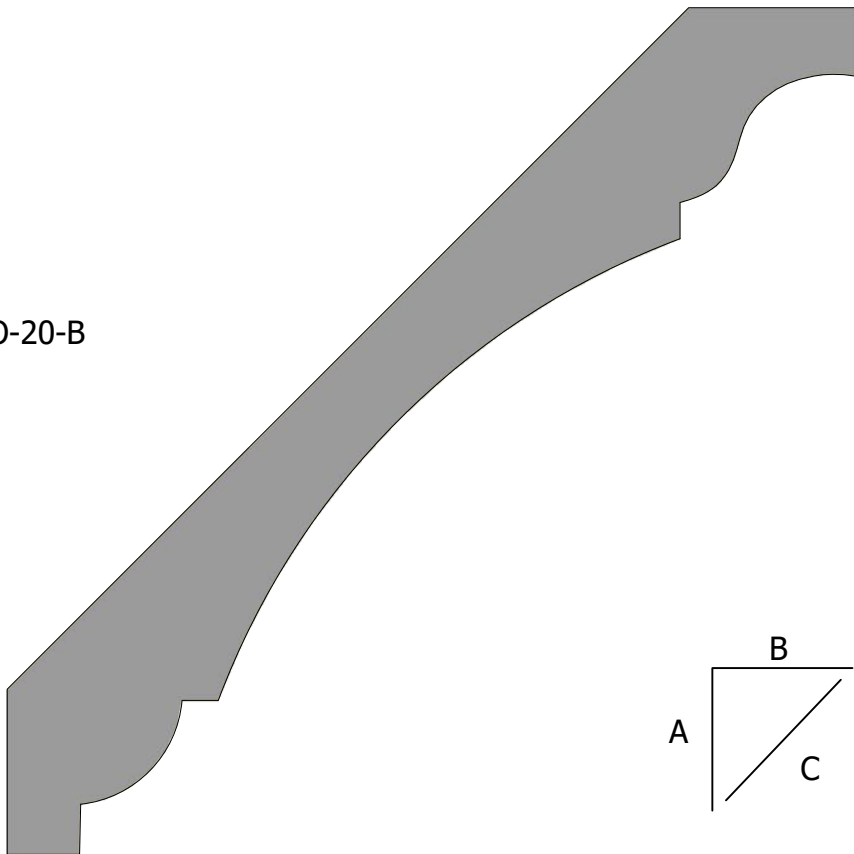
A: 1 15/16"
B: 3/4"
C: 2 1/16"

CRO-20-A



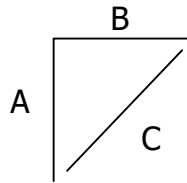
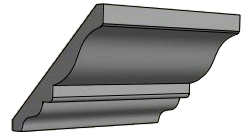
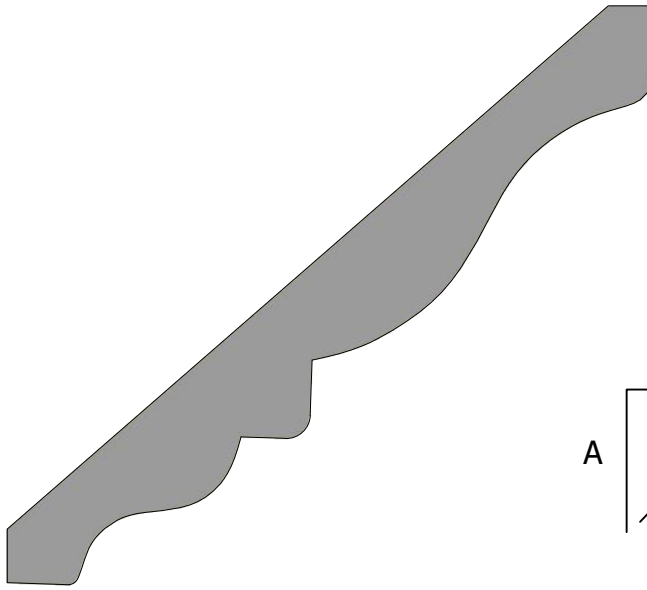
A: 3"
B: 3"
C: 4 1/4"
4/4

CRO-20-B



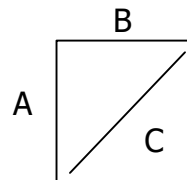
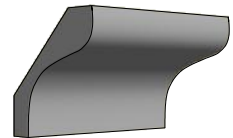
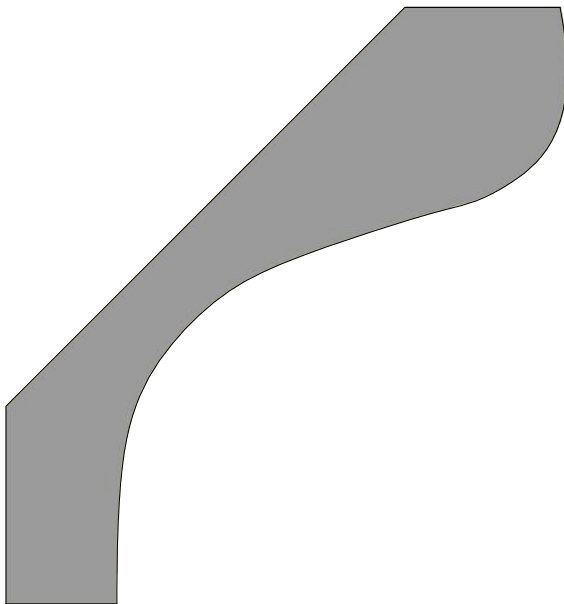
A: 4 7/16"
B: 4 7/16"
C: 6 1/4"
4/4

CRO-21



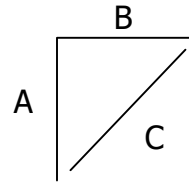
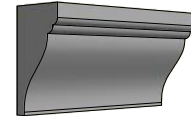
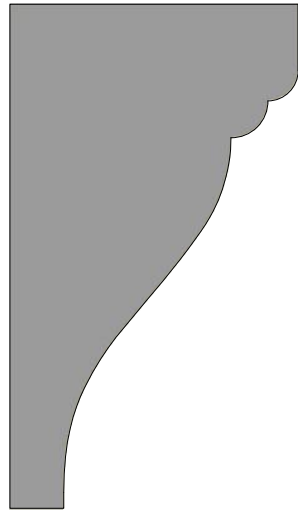
A: 3"
B: 3 3/8"
C: 4 1/2"
4/4

CRO-22



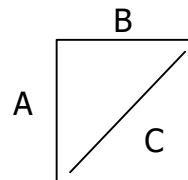
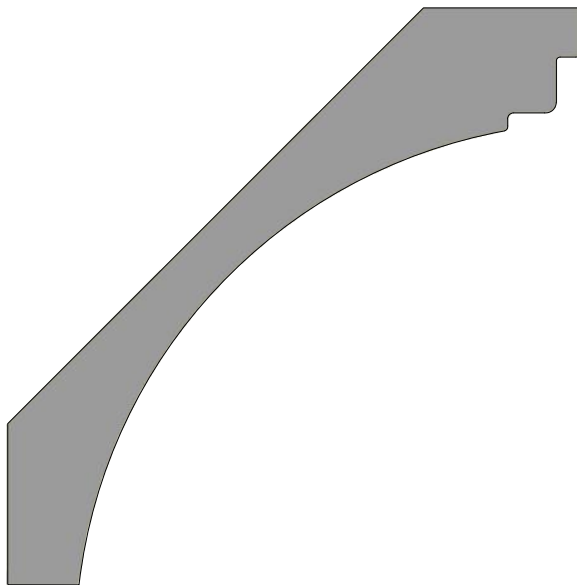
A: 3 1/8"
B: 2 7/8"
C: 4 1/4"
6/4

CRO-23



A: 2 5/8"
B: 1 1/2"
C: 3"

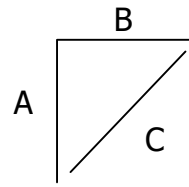
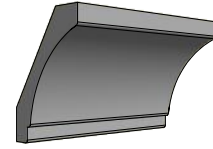
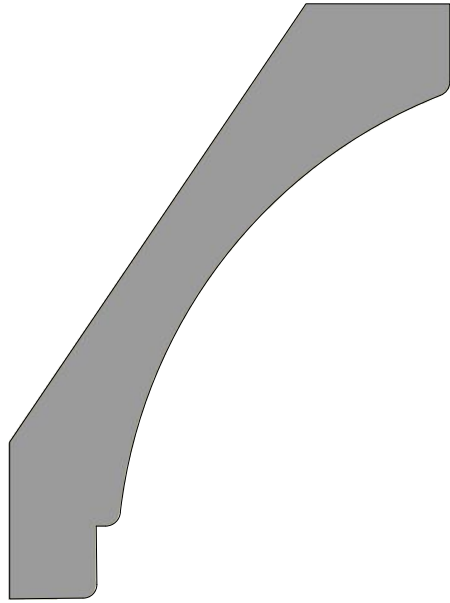
CRO-24



A: 3"
B: 3"
C: 4 1/4"

4/4

CRO-25



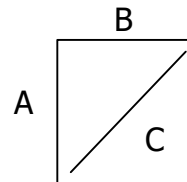
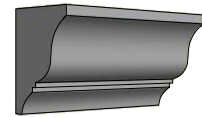
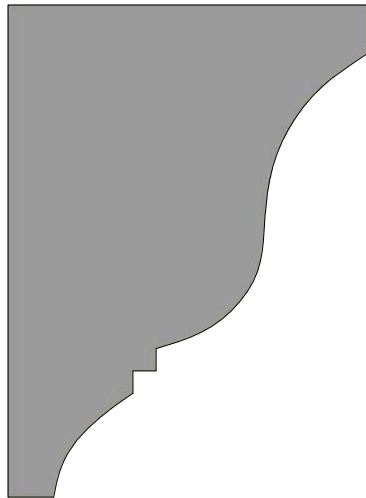
A: 2 5/16"

B: 3 1/8"

C: 3 7/8"

4/4

CRO-26

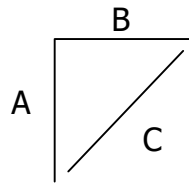
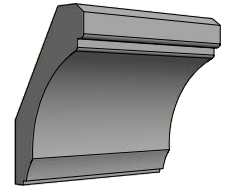
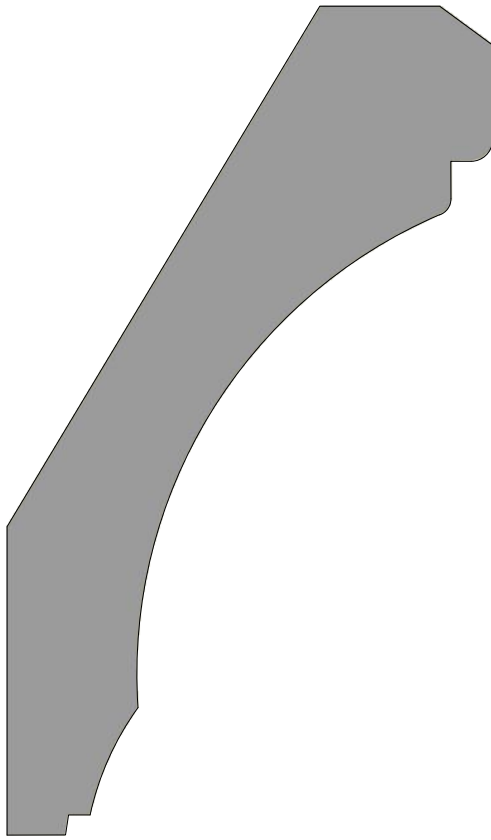


A: 2 9/16"

B: 1 7/8"

C: 3 3/16"

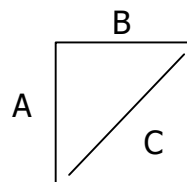
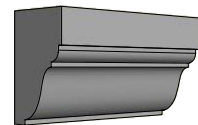
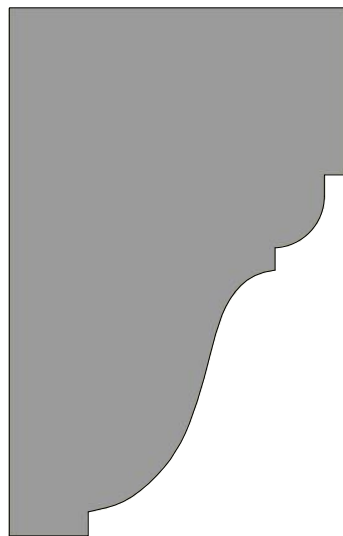
CRO-27



A: $4 \frac{15}{16}$ "
B: $2 \frac{1}{2}$ "
C: $4 \frac{13}{16}$ "

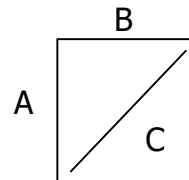
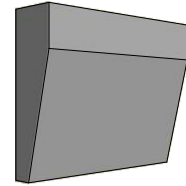
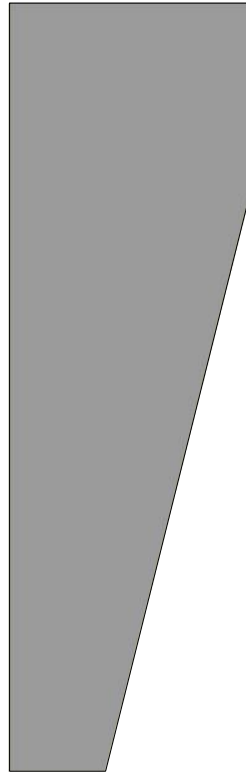
$\frac{6}{4}$

CRO-28



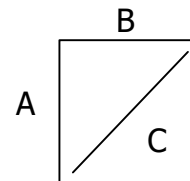
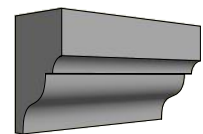
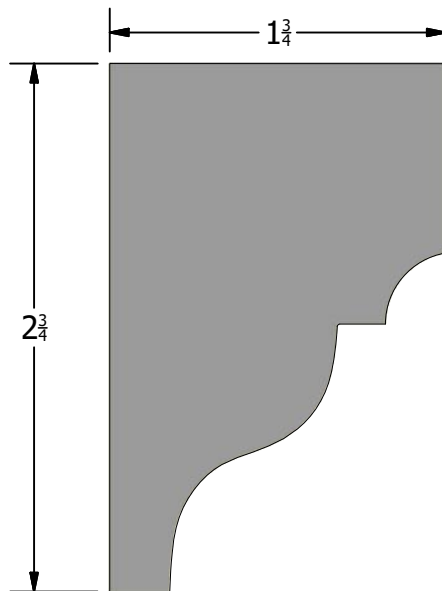
A: $2 \frac{3}{4}$ "
B: $1 \frac{3}{4}$ "
C: $3 \frac{1}{4}$ "

CRO-29



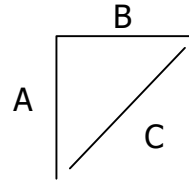
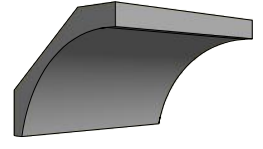
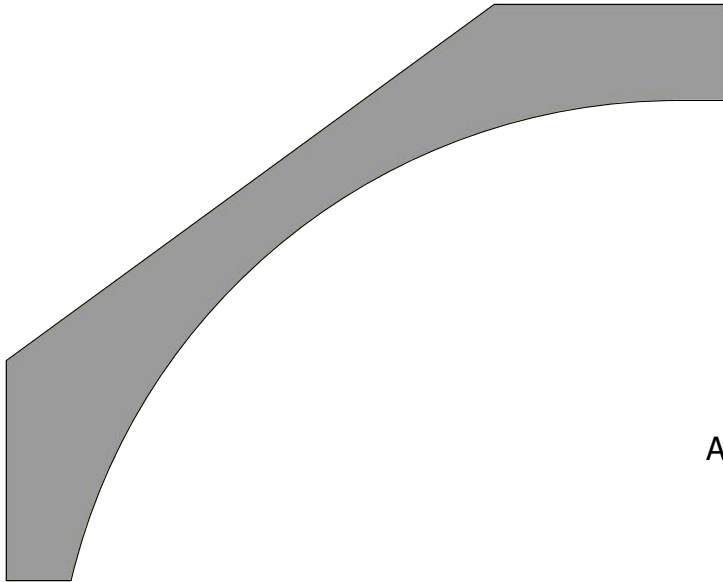
A: 4"
B: 1 3/4"
C: 4 13/16"

CRO-30



A: 2 3/4"
B: 1 3/4"
C: 3 1/4"

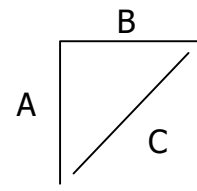
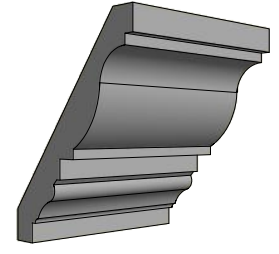
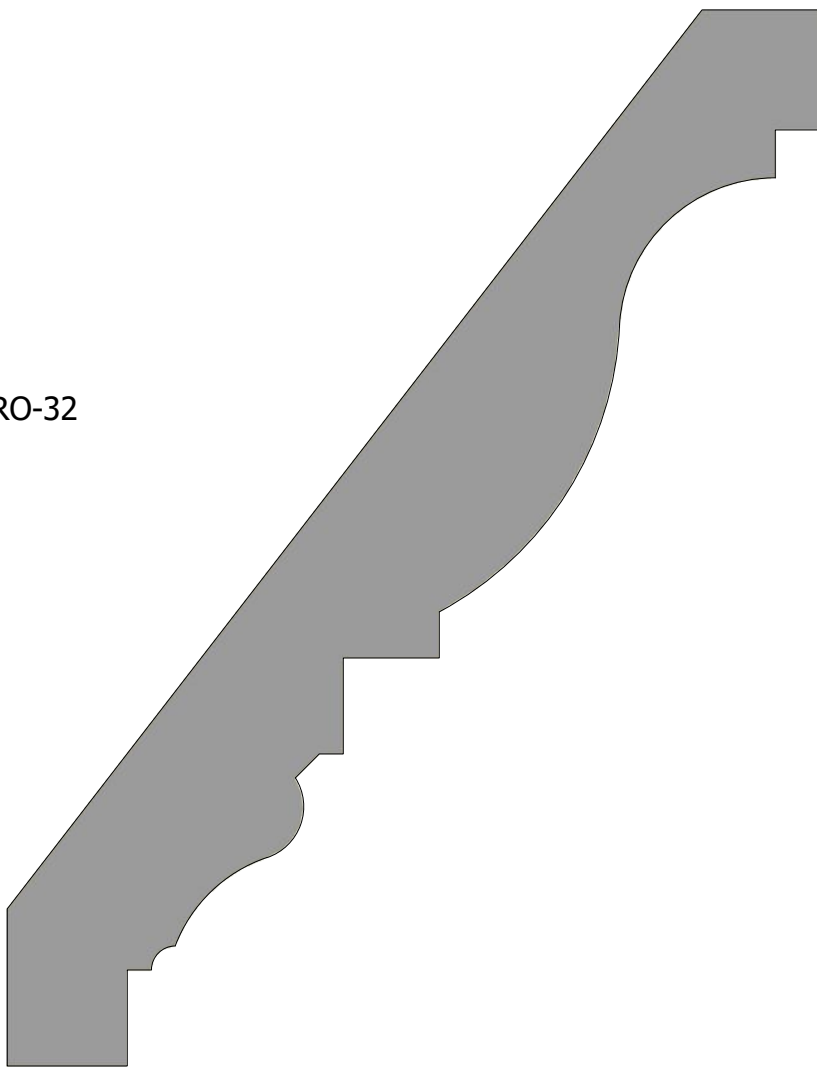
CRO-31



A: 3 "
B: 3 3/4"
C: 4 13/16"

6/4

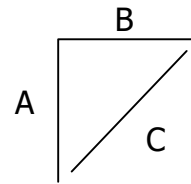
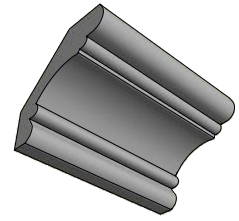
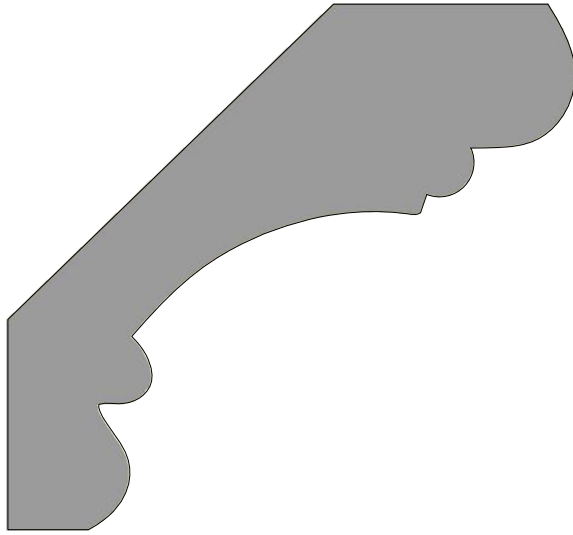
CRO-32



A: 5 1/2"
B: 4 1/4"
C: 6 15/16"

4/4

CRO-33

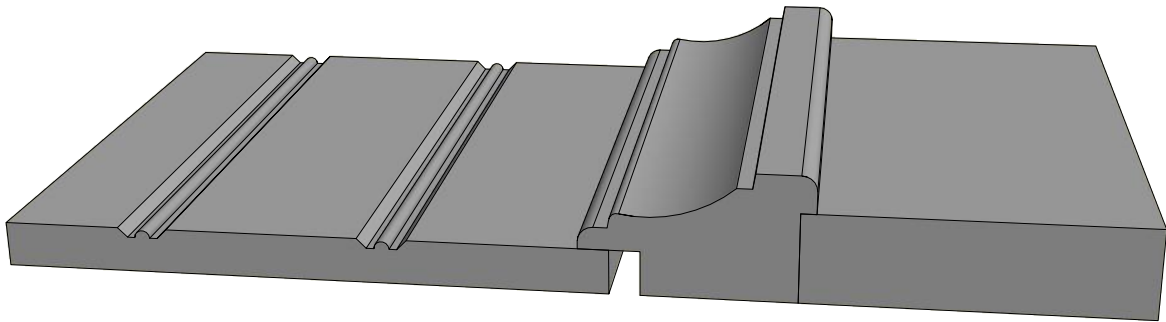


A: $2 \frac{3}{4}$ "
B: $2 \frac{13}{16}$ "
C: $3 \frac{15}{16}$ "

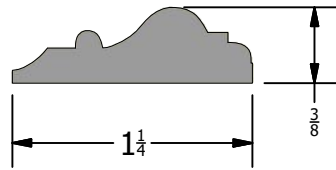
$\frac{6}{4}$

Panel Mould

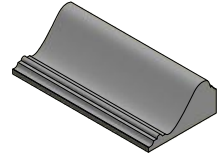
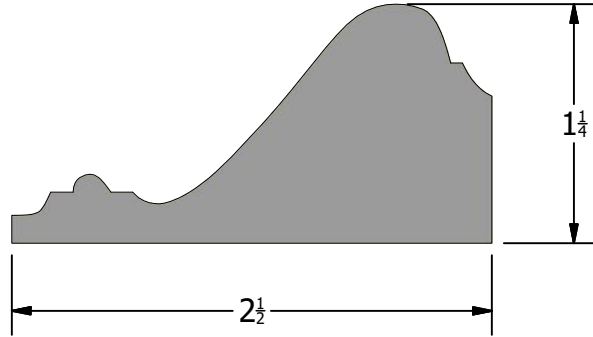
- Most panel moulds can be modified for depth or width.
- Some can have a rabbet added to receive a panel or style.



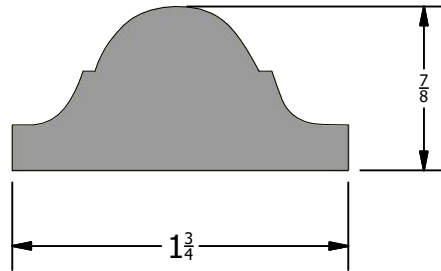
Pan-01



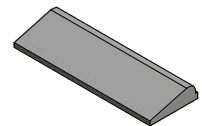
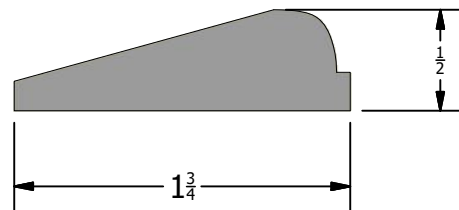
Pan-02



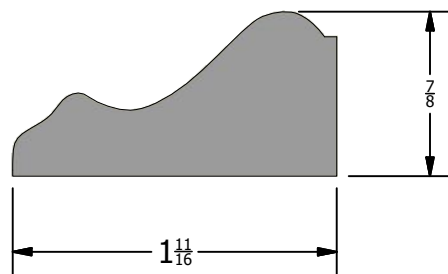
Pan-03



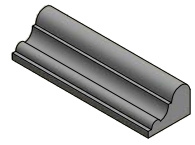
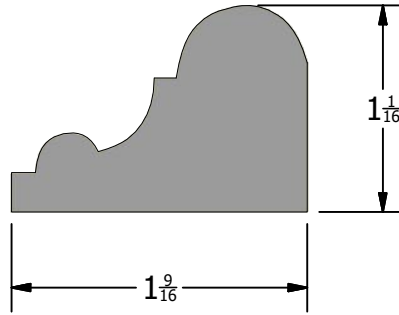
Pan-04



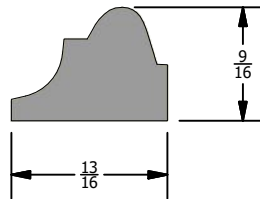
Pan-05



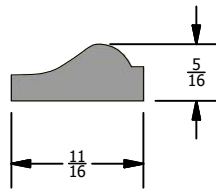
Pan-06



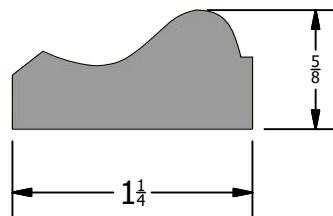
Pan-07



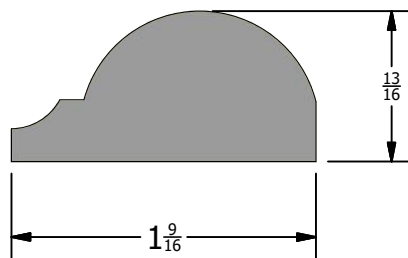
Pan-08



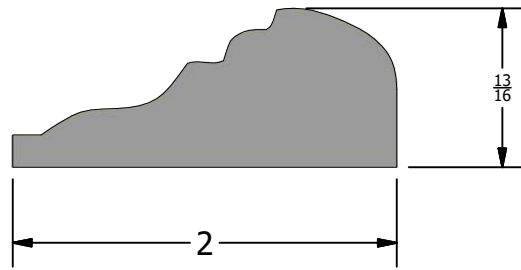
Pan-09



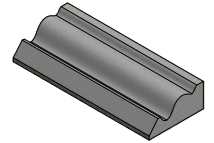
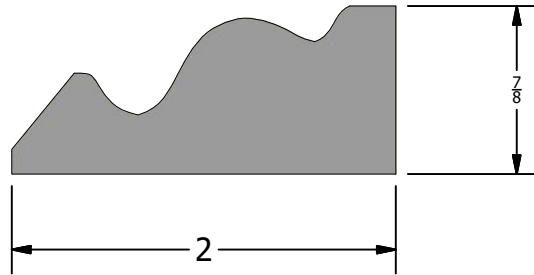
Pan-10



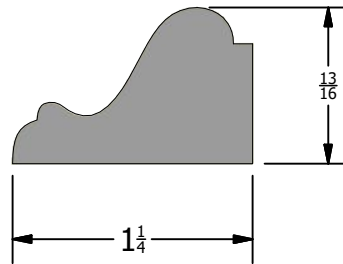
Pan-11



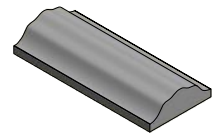
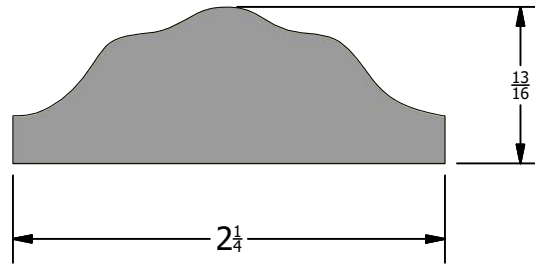
Pan-12



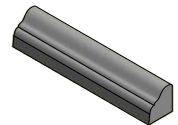
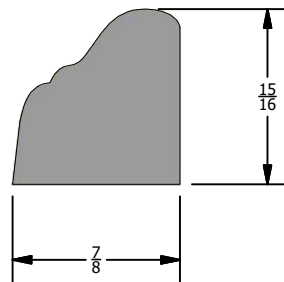
Pan-13



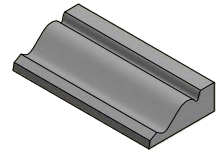
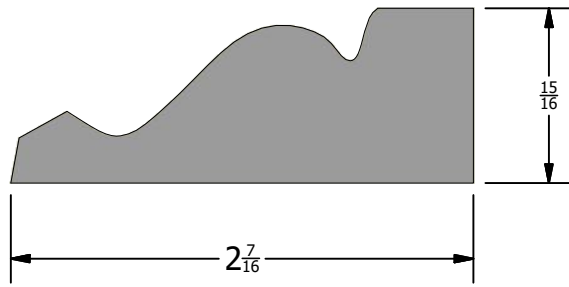
Pan-14



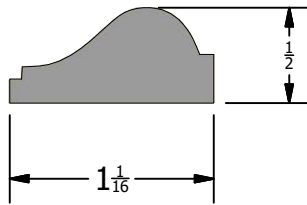
Pan-15



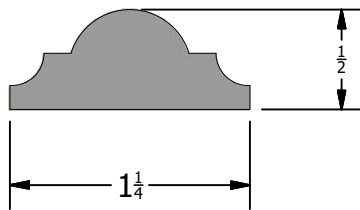
Pan-16



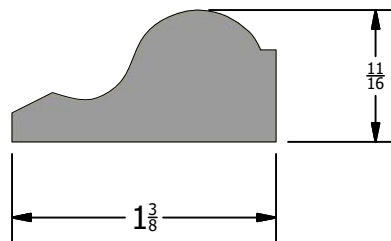
Pan-17



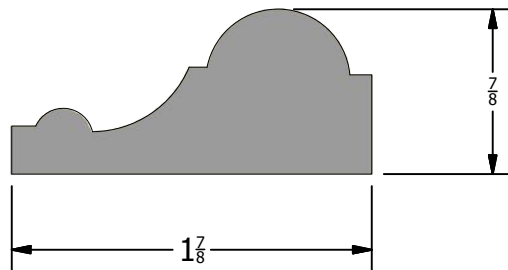
Pan-18



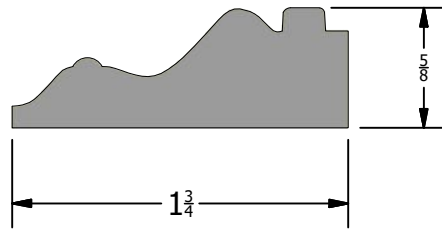
Pan-19



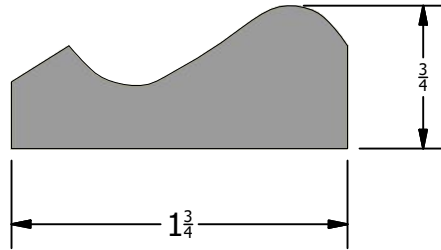
Pan-20



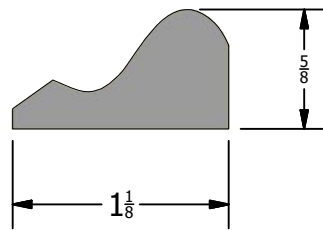
Pan-21



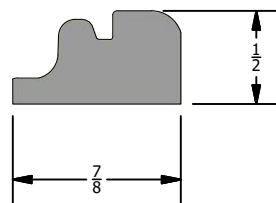
Pan-22



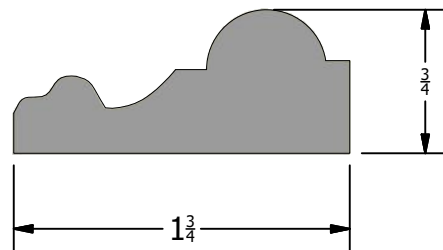
Pan-23



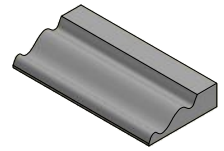
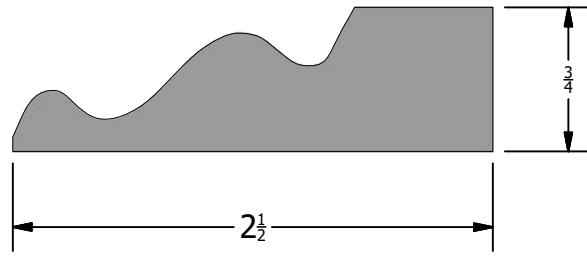
Pan-24



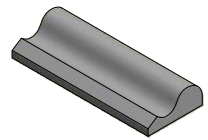
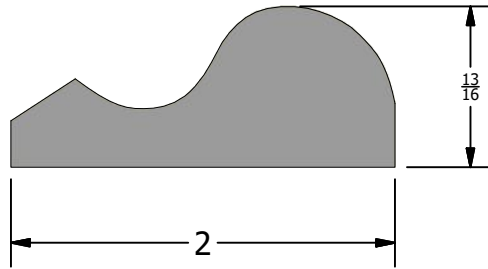
Pan-25



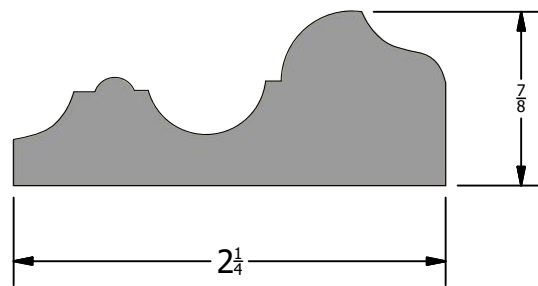
Pan-26



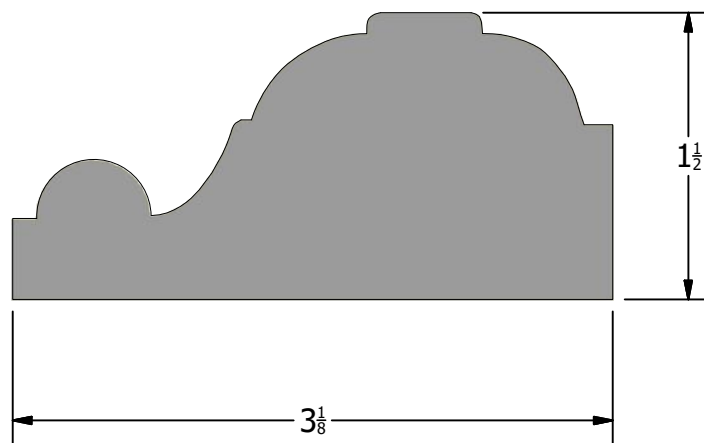
Pan-27



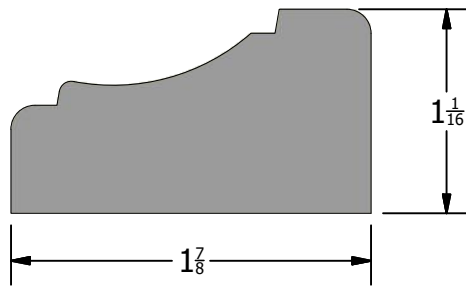
Pan-28



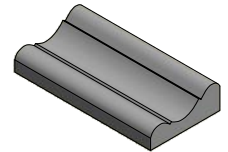
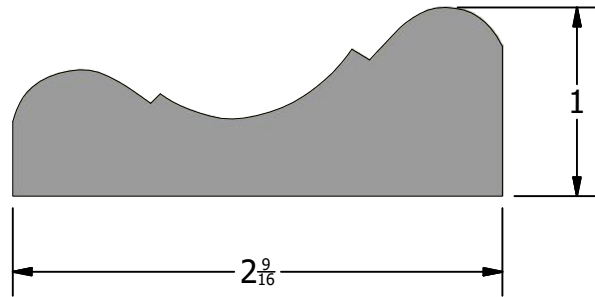
Pan-29



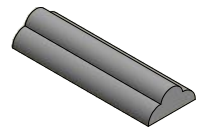
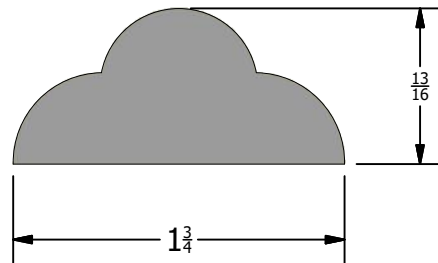
Pan-30



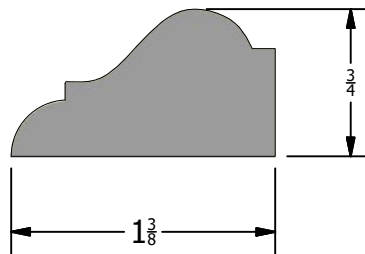
Pan-31



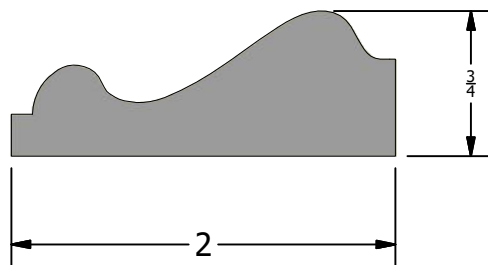
Pan-32



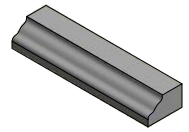
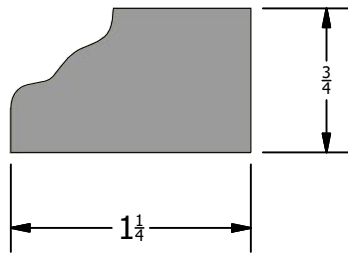
Pan-33



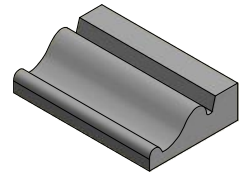
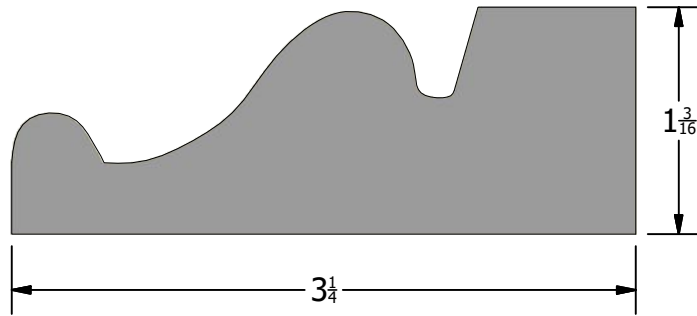
Pan-34



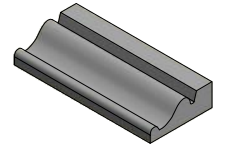
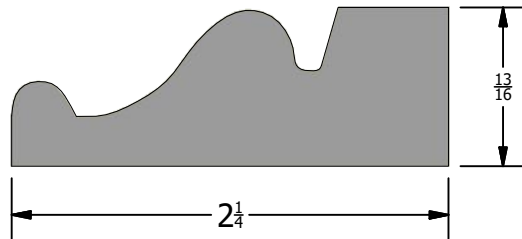
Pan-35



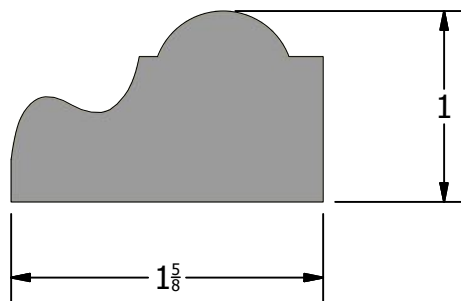
Pan-36-A



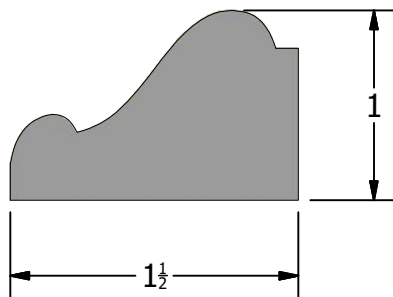
Pan-36-B



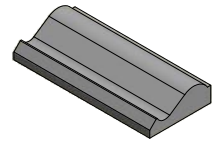
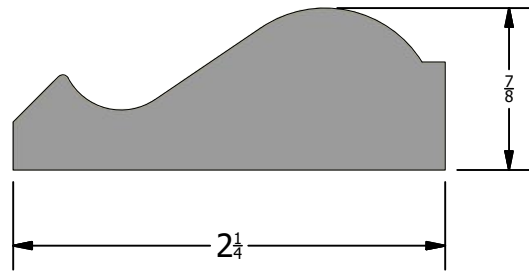
Pan-37



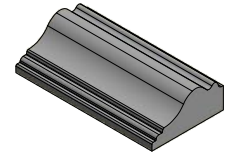
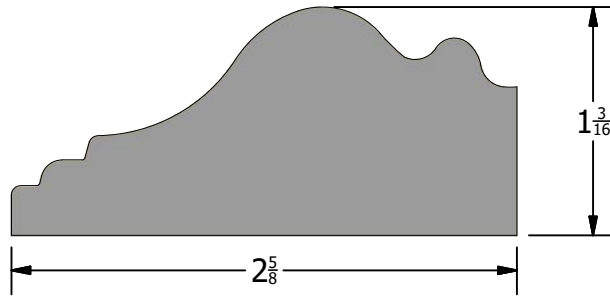
Pan-38



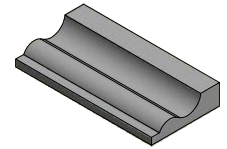
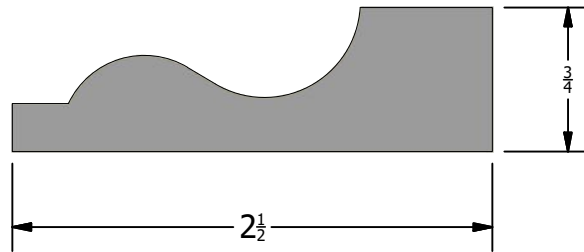
Pan-39



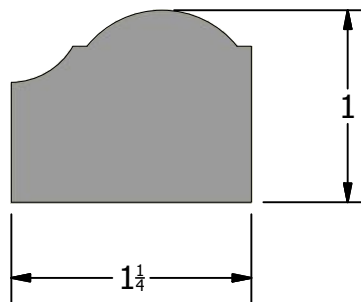
Pan-40



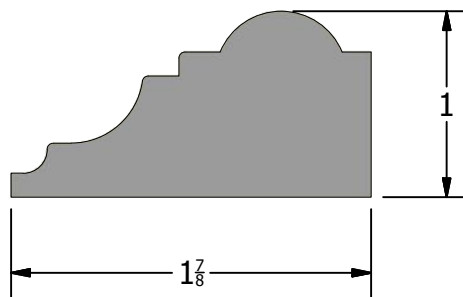
Pan-41



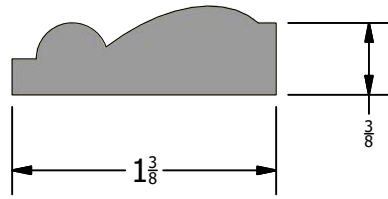
Pan-42



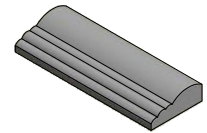
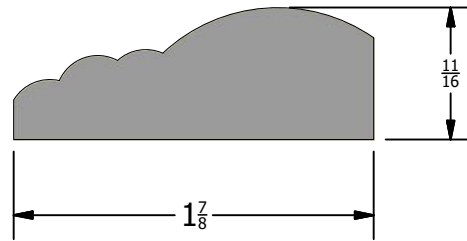
Pan-43



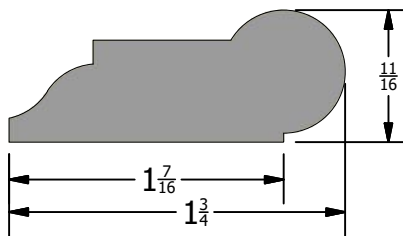
Pan-44



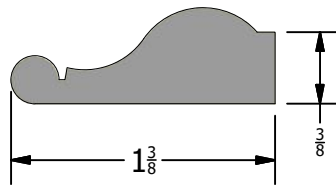
Pan-45



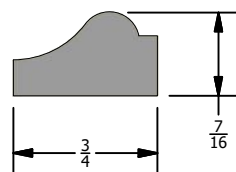
Pan-46



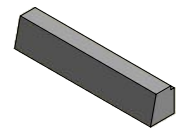
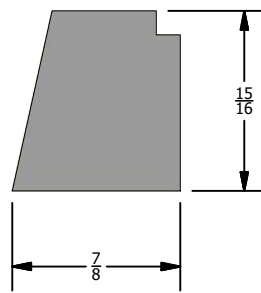
Pan-47



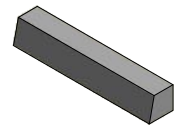
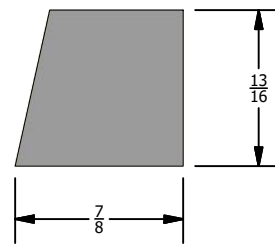
Pan-48



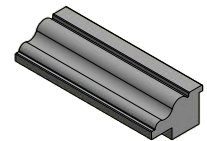
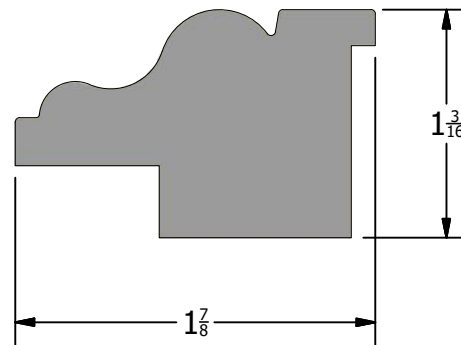
Pan-49-A



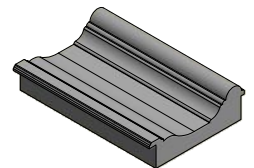
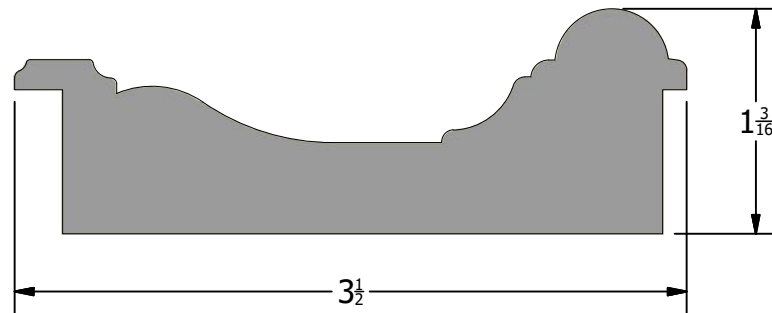
Pan-49-B



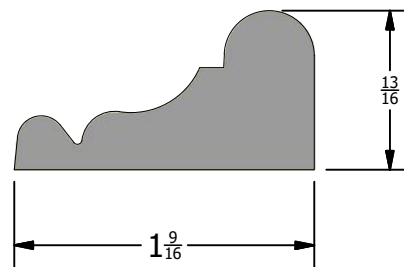
Pan-50



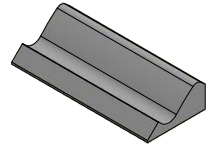
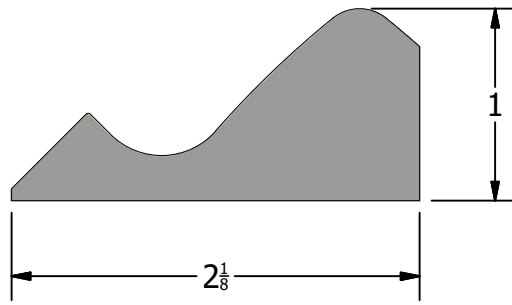
Pan-51



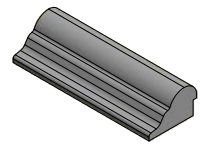
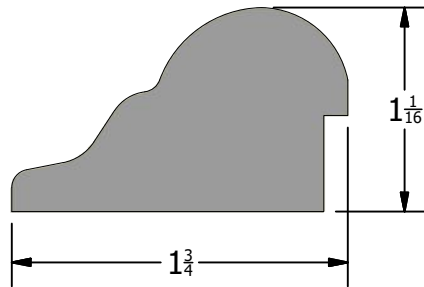
Pan-52



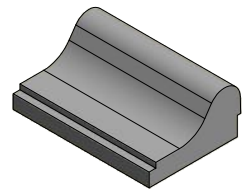
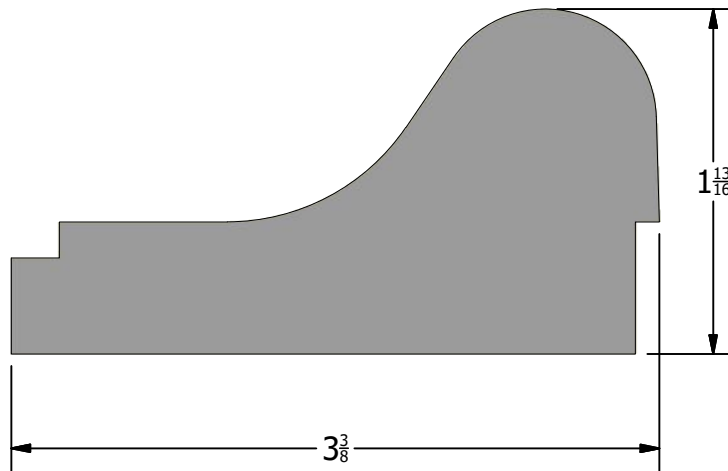
Pan-53



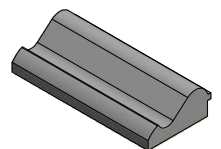
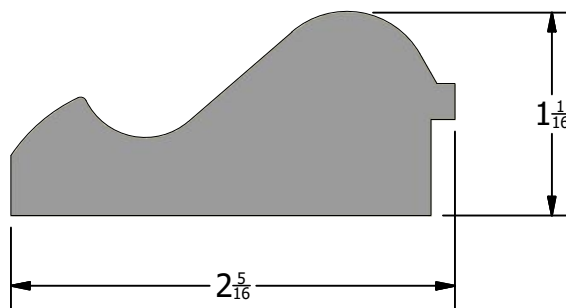
Pan-54



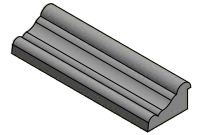
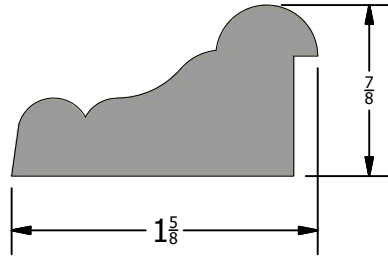
Pan-55



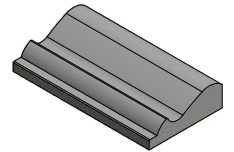
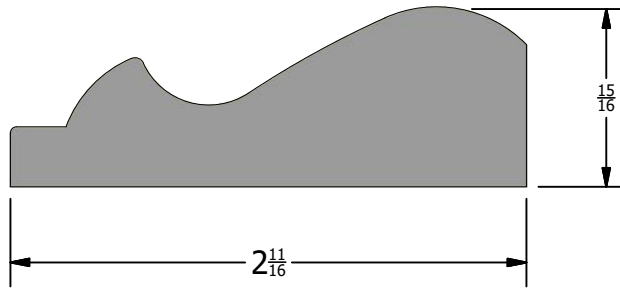
Pan-56



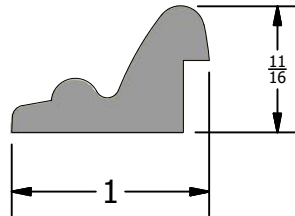
Pan-57



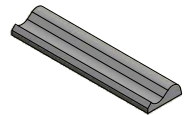
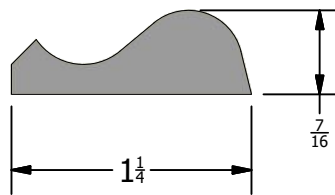
Pan-58



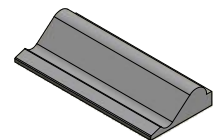
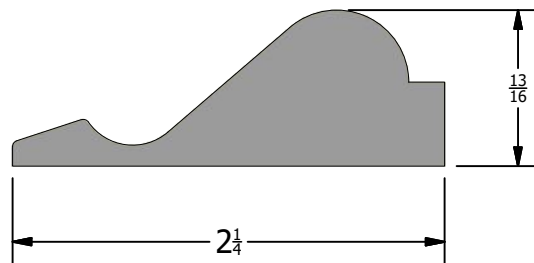
Pan-59



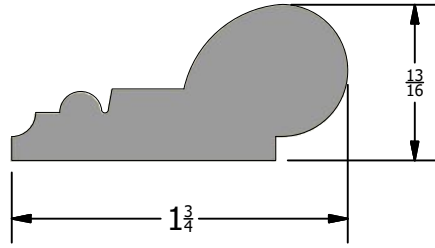
Pan-60



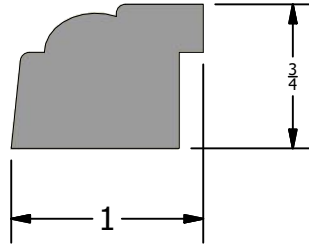
Pan-61



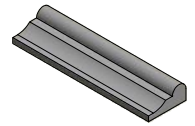
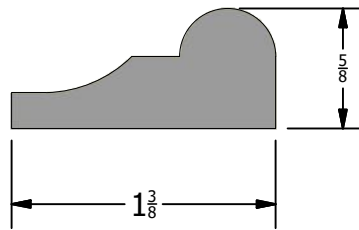
Pan-62



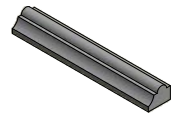
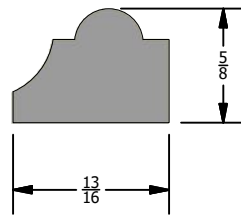
Pan-63



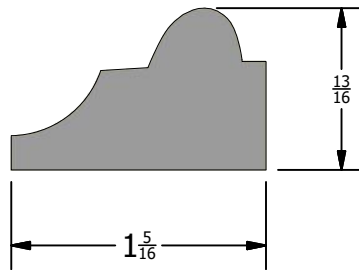
Pan-64



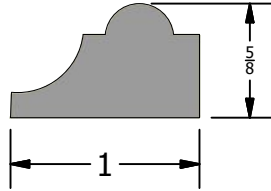
Pan-65-A



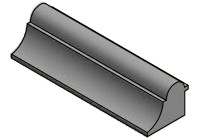
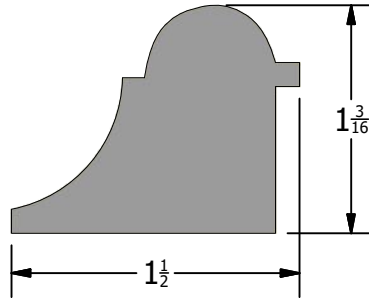
Pan-65-B



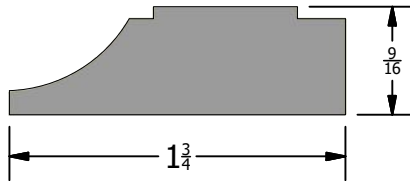
Pan-65-C



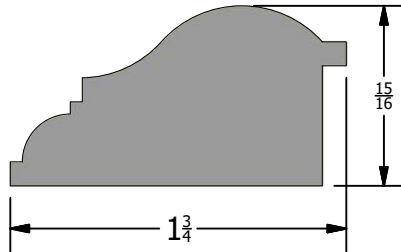
Pan-66



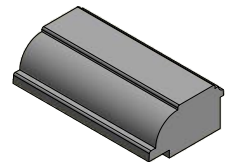
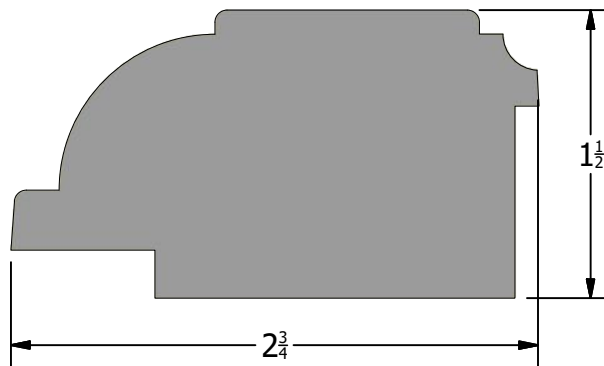
Pan-67



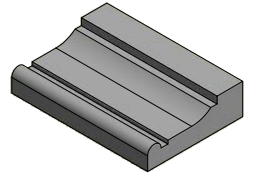
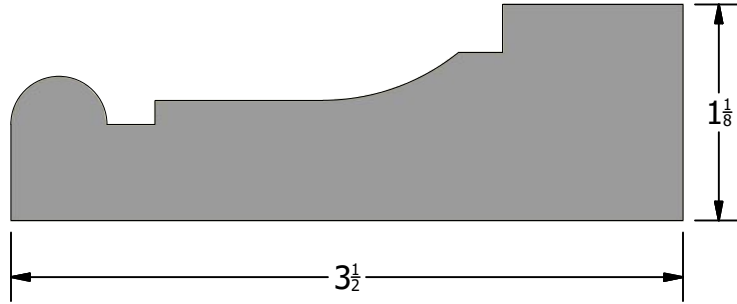
Pan-68



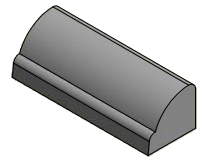
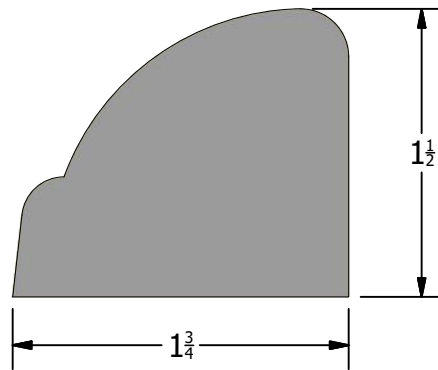
Pan-69



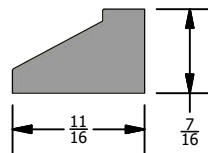
Pan-70



Pan-71

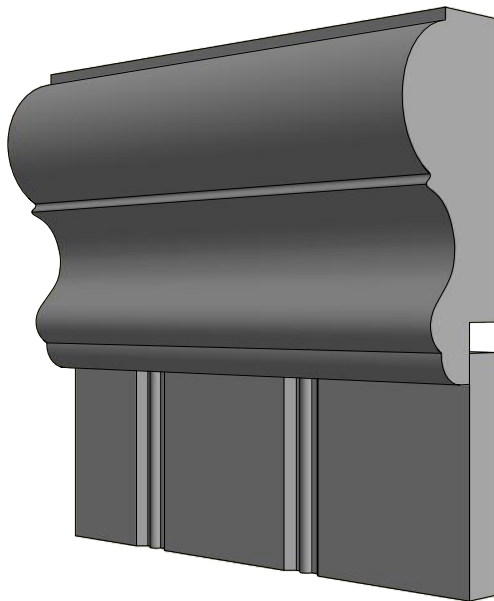


Pan-72

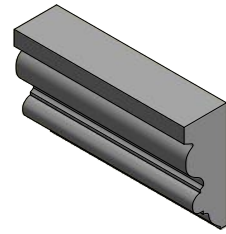
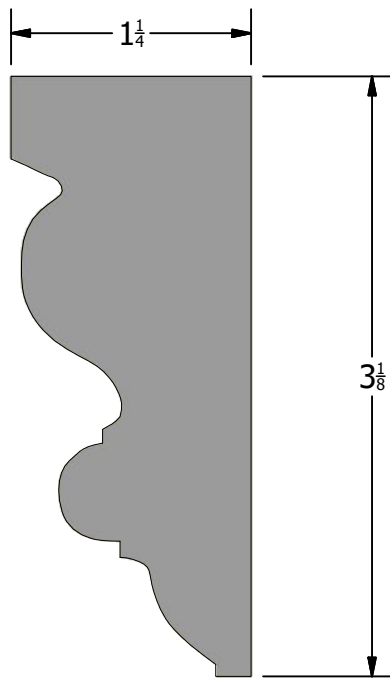


Chair Rails

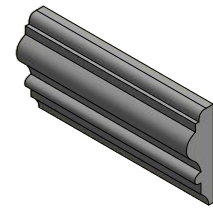
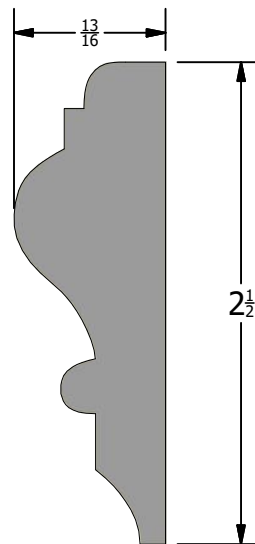
- Most chair rails can be modified slightly for depth & height.
- Most chair rails can have a rabbet added to receive a panel.



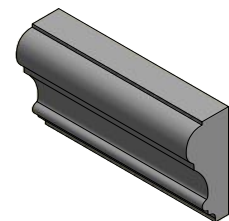
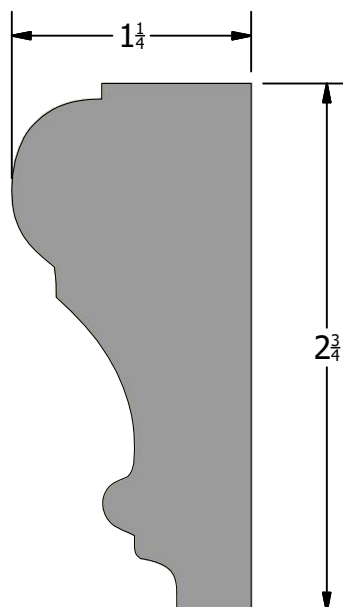
Cha-01



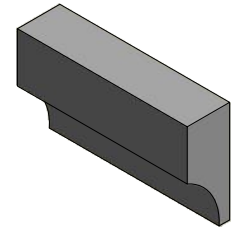
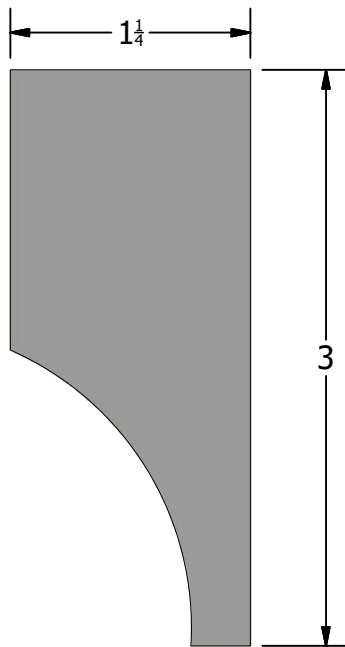
Cha-02



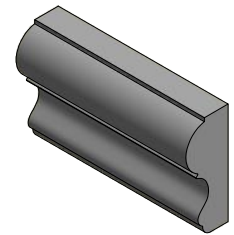
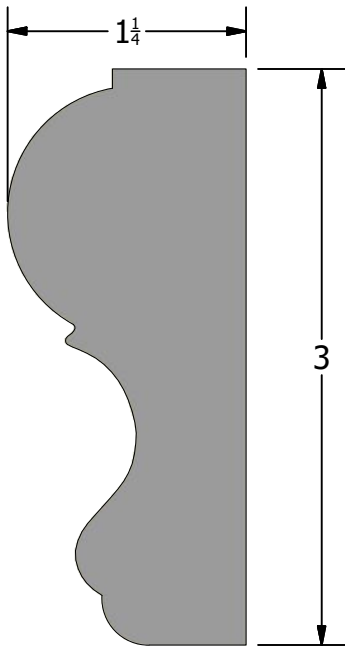
Cha-03



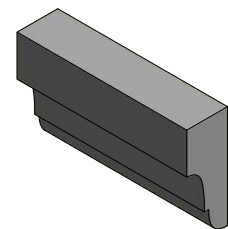
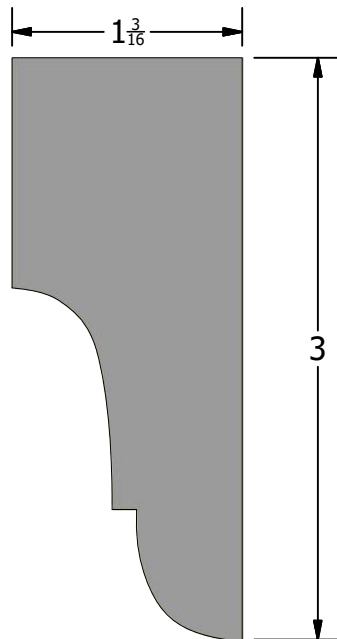
Cha-04



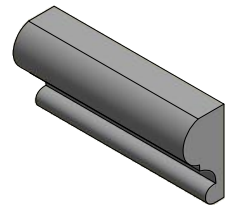
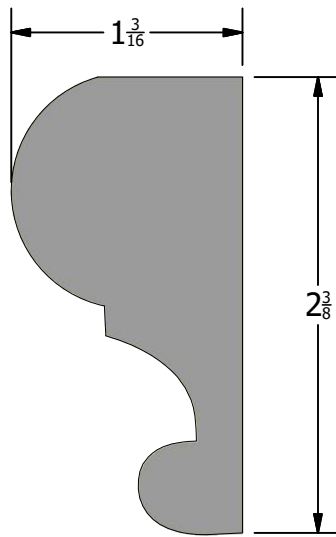
Cha-05



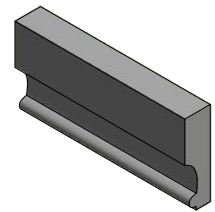
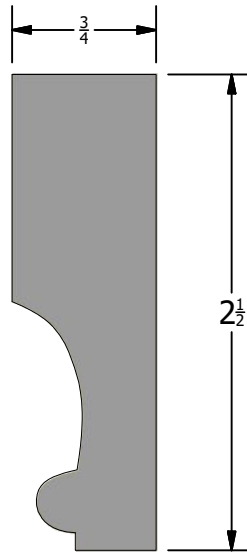
Cha-06



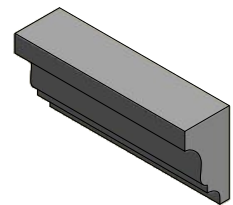
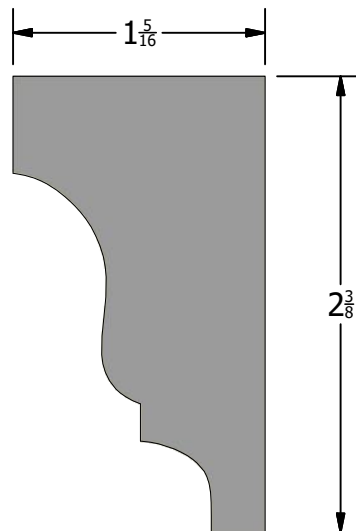
Cha-07



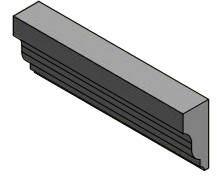
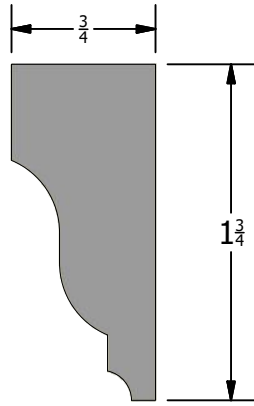
Cha-08



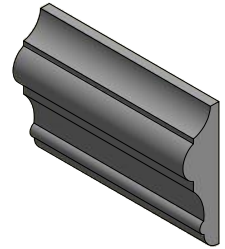
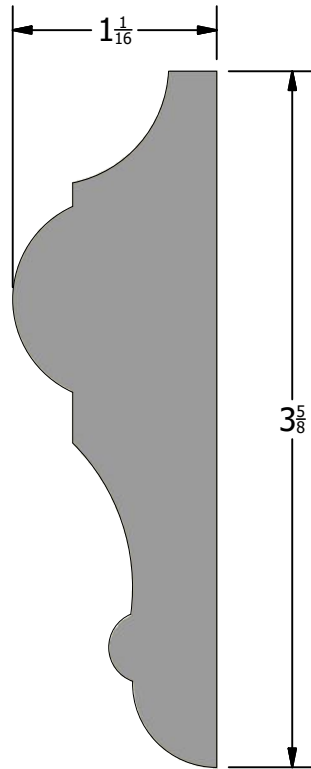
Cha-09-A



Cha-9-B



Cha-10



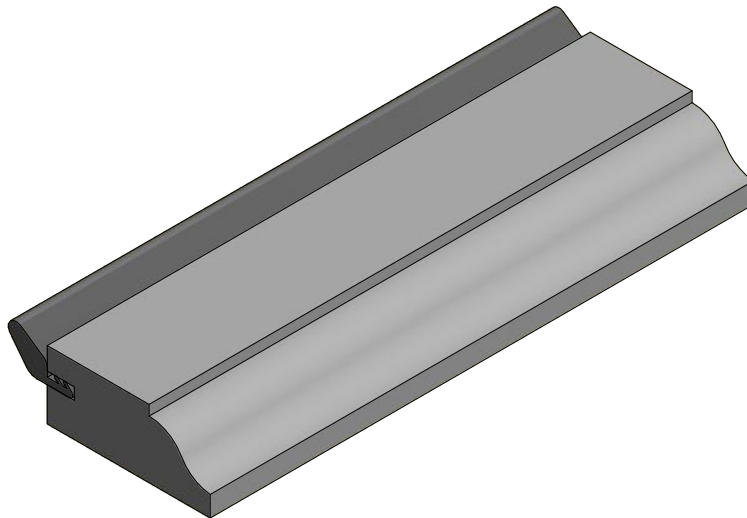
Door Stop

-All DS mouldings can be modified for width.

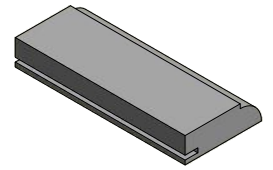
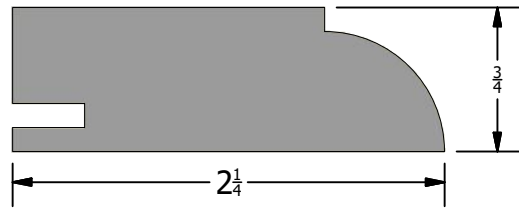
-DS-E are primarily used on exterior doors and are intended to hold weather strip.

-DS-I are primarily used on interior doors.

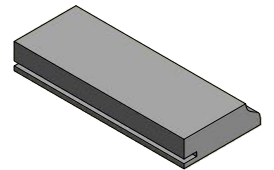
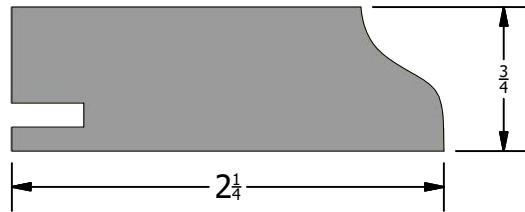
-DS-I can be modified to receive a small weather strip for reducing sound transfer and creating a silent close option.



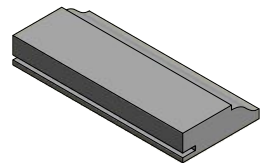
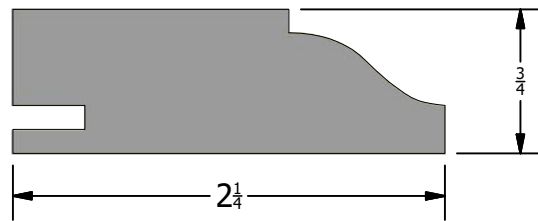
DS-E-01



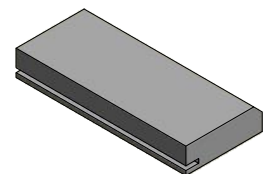
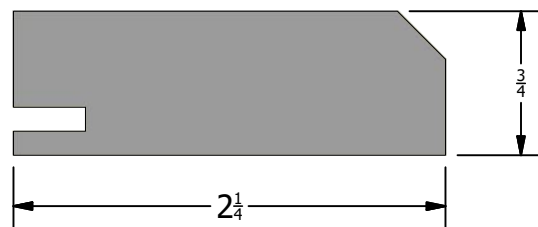
DS-E-02



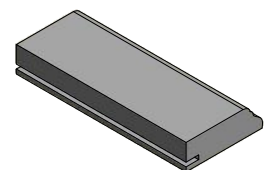
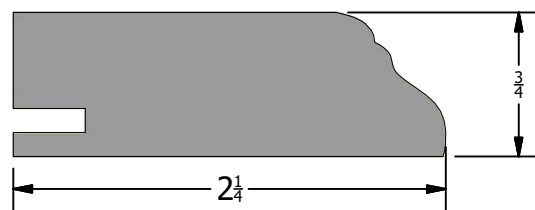
DS-E-03



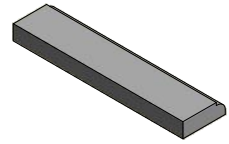
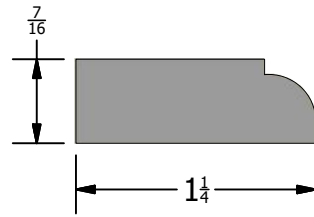
DS-E-04



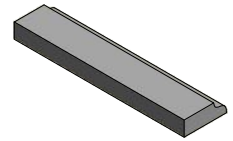
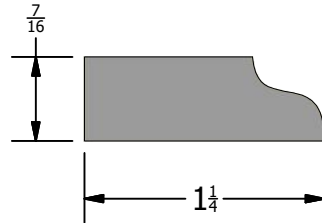
DS-E-05



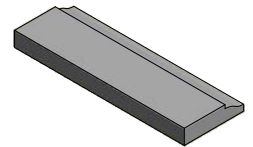
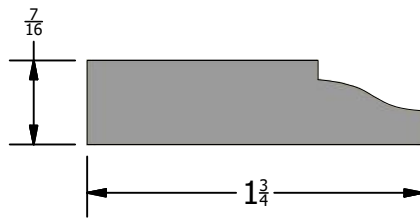
DS-I-01



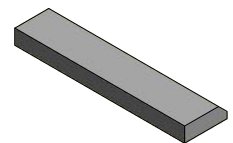
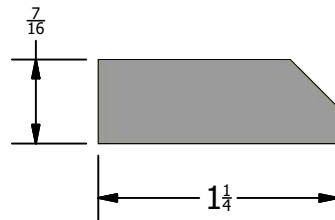
DS-I-02



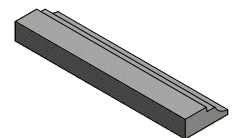
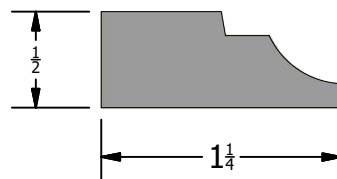
DS-I-03



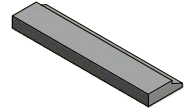
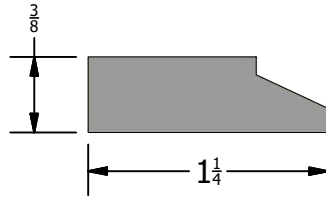
DS-I-04



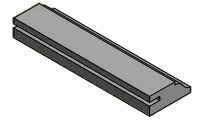
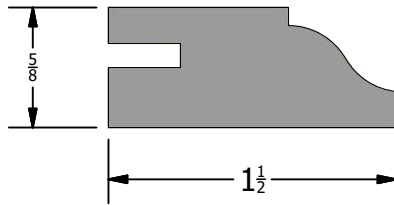
DS-I-05



DS-I-06



DS-I-07

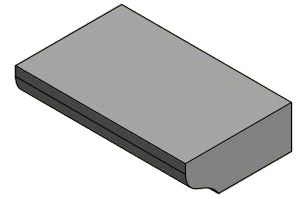
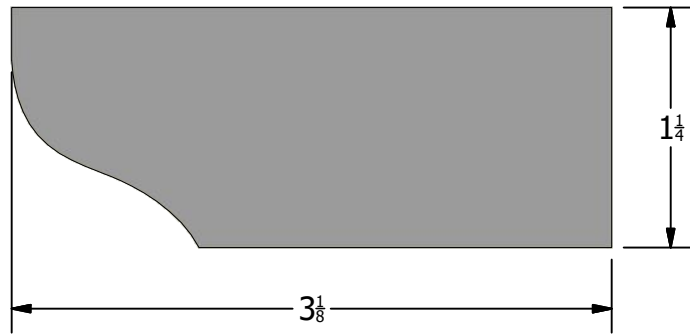


Window Sills

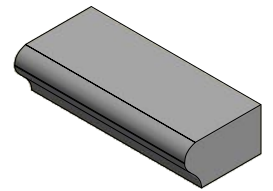
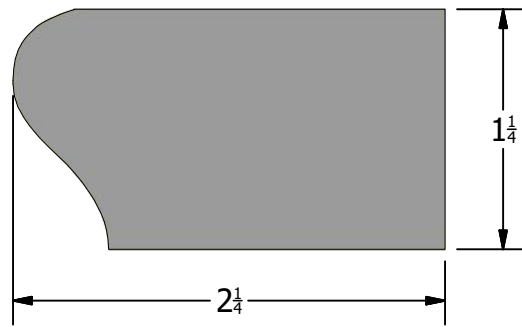
-Most Sill moulds can be modified for height & width.



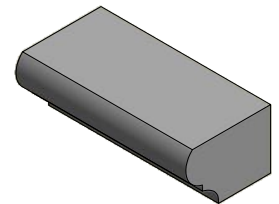
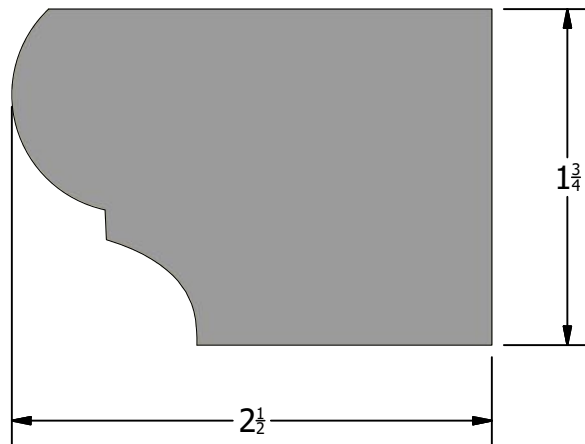
Sill-01



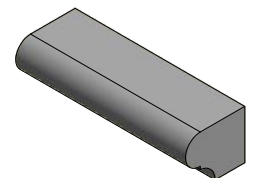
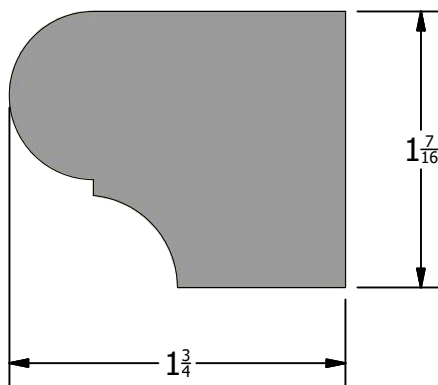
Sill-02



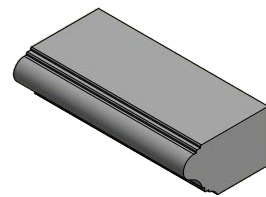
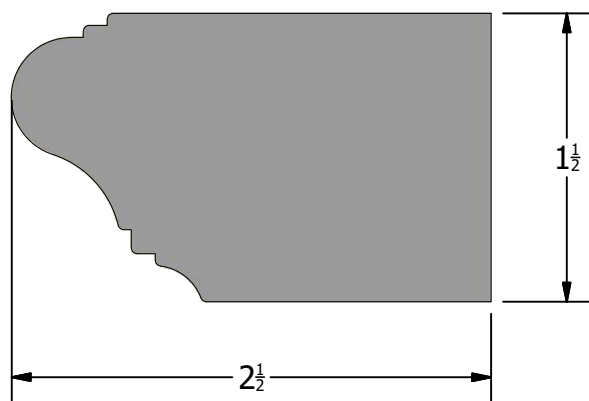
Sill-03



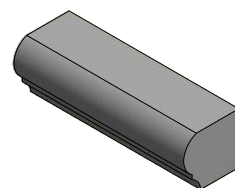
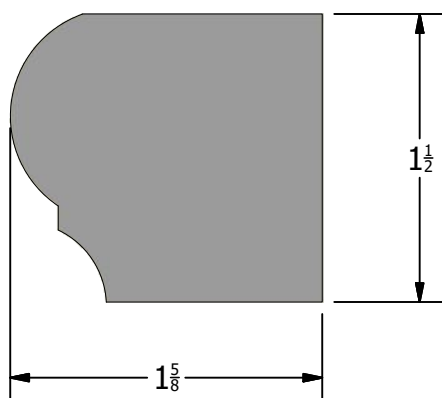
Sill-04



Sill-05



Sill-06



T & G Panels

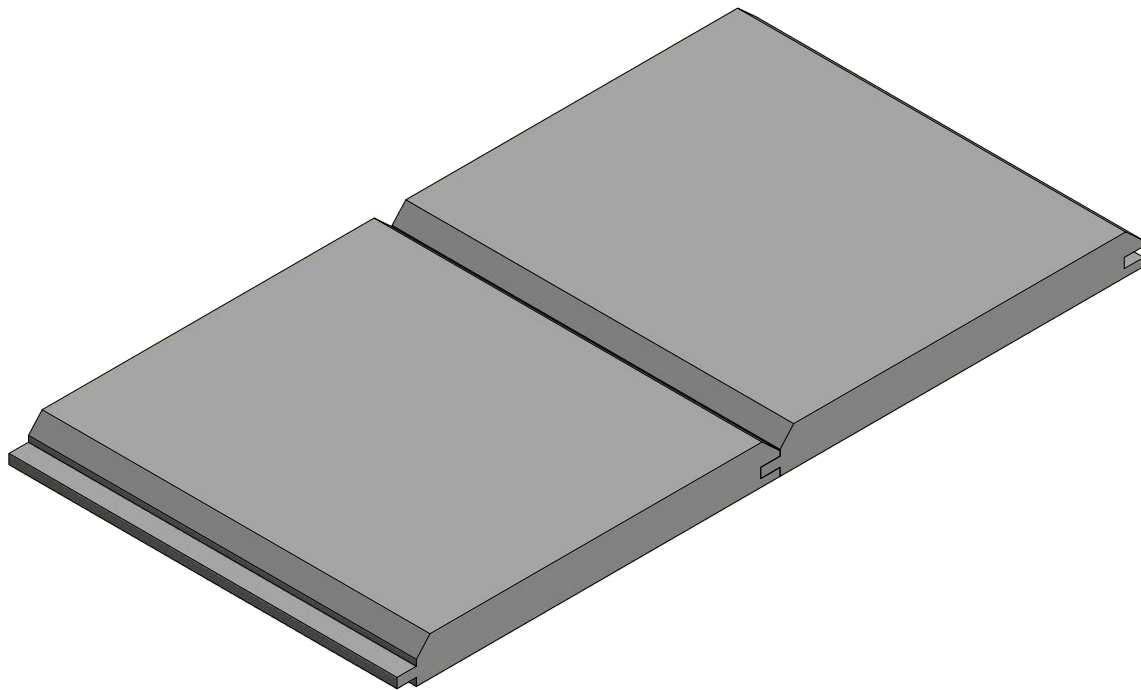
-All T & G can be modified for widths up to a maximum of 9 1/4" over all.

-Thickness can be modified somewhat.

-Size of chamfer can be modified from a micro bevel up to 1/4".

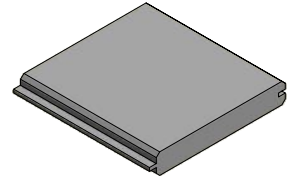
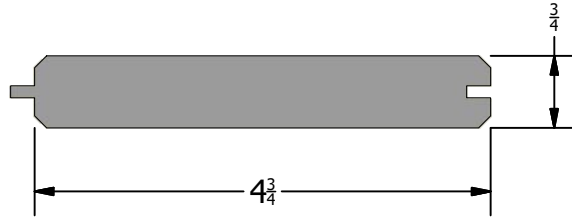
-T & G-05 is a reverse nail flange and can be done without the bead.

-TG-09 is our standard flooring cutter.



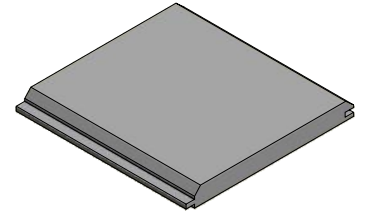
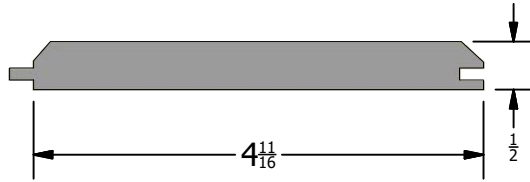
TG-01

Scale
1 / 2



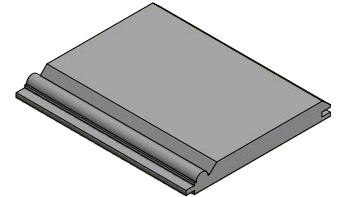
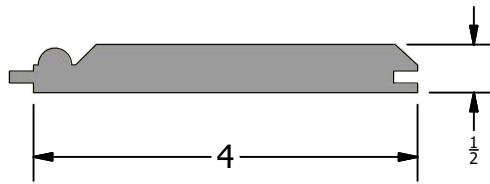
TG-02

Scale
1 / 2



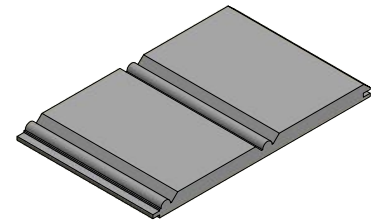
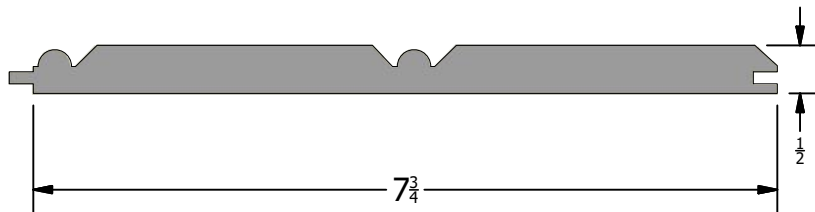
TG-03

Scale
1 / 2



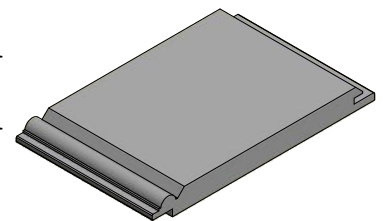
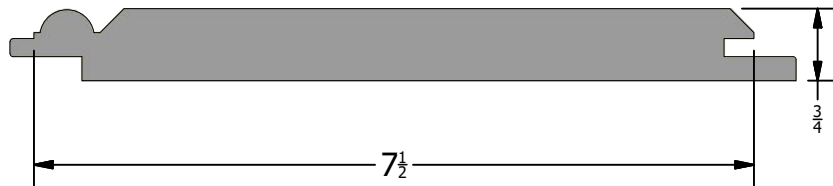
TG-04

Scale
1 / 2



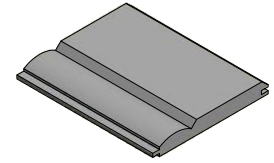
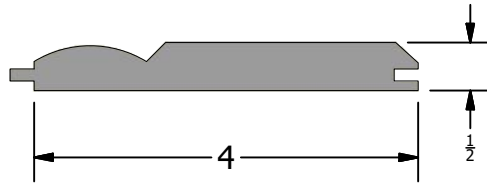
TG-05

Scale
1 / 2



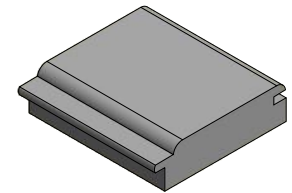
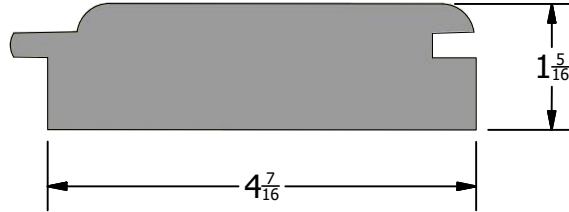
TG-06

Scale
1 / 2



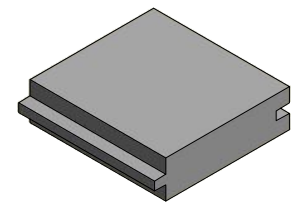
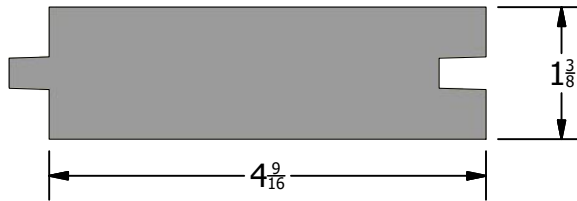
TG-07

Scale
1 / 2



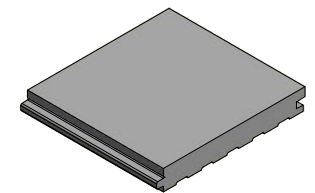
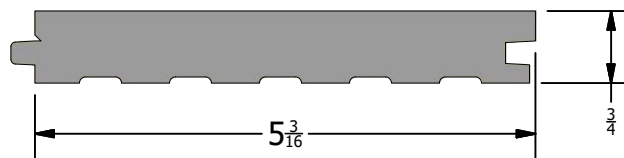
TG-08

Scale
1 / 2



TG-09

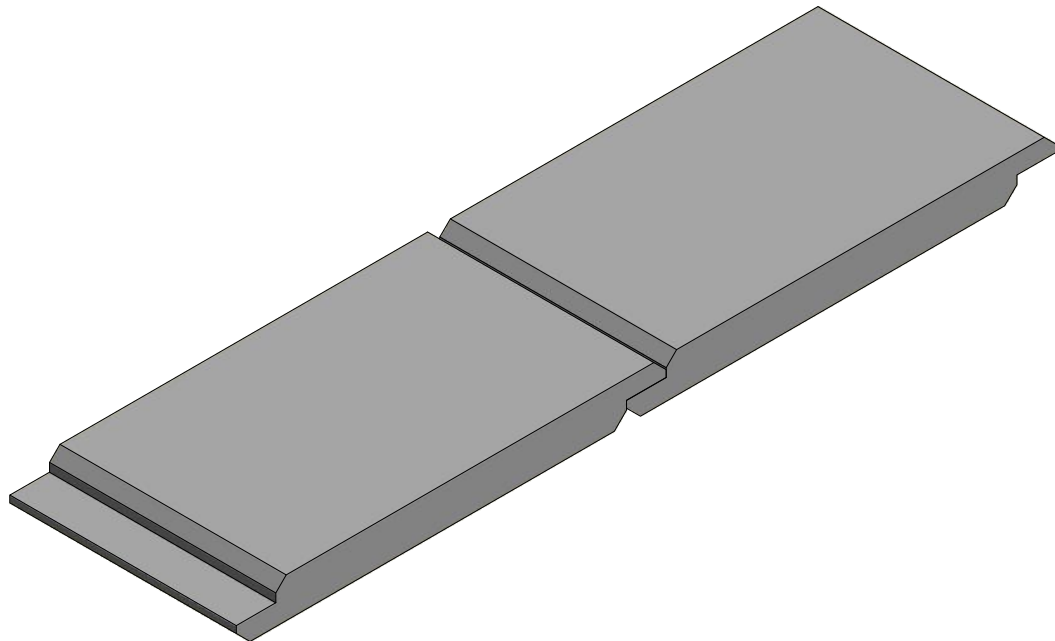
Scale
1 / 2



Shiplap

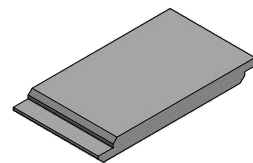
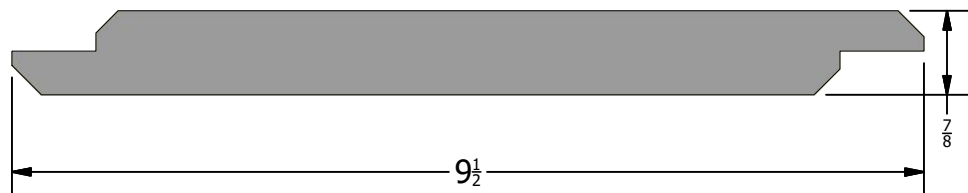
-SHL-01, 02 & 03 can be modified for width.

-SHL-01 can be modified for size of chamfer from micro bevel up to 1/4".



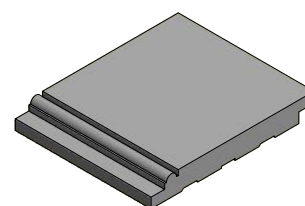
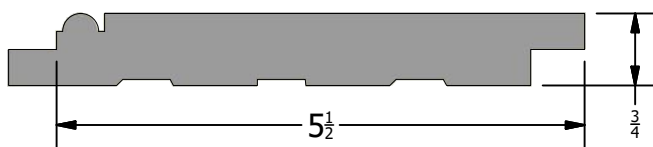
SHL-01

Scale
1 / 2

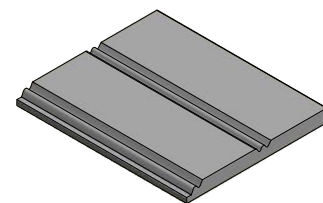
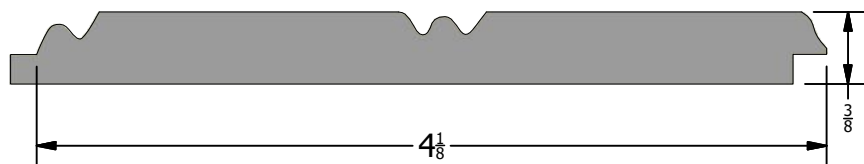


SHL-02

Scale
1 / 2

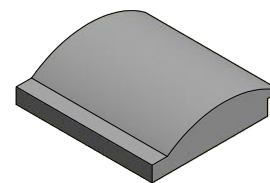
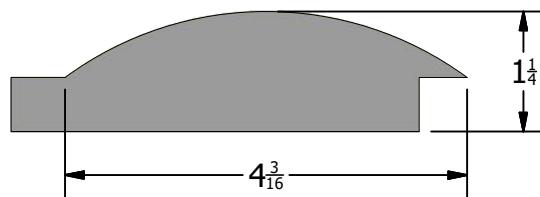


SHL-03



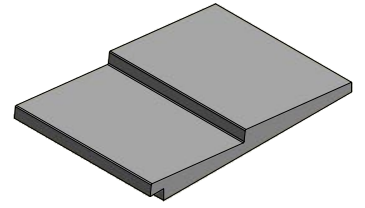
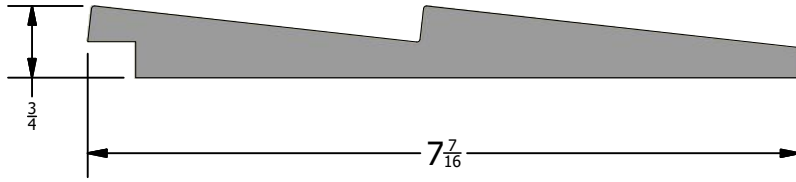
SHL-04

Scale
1 / 2



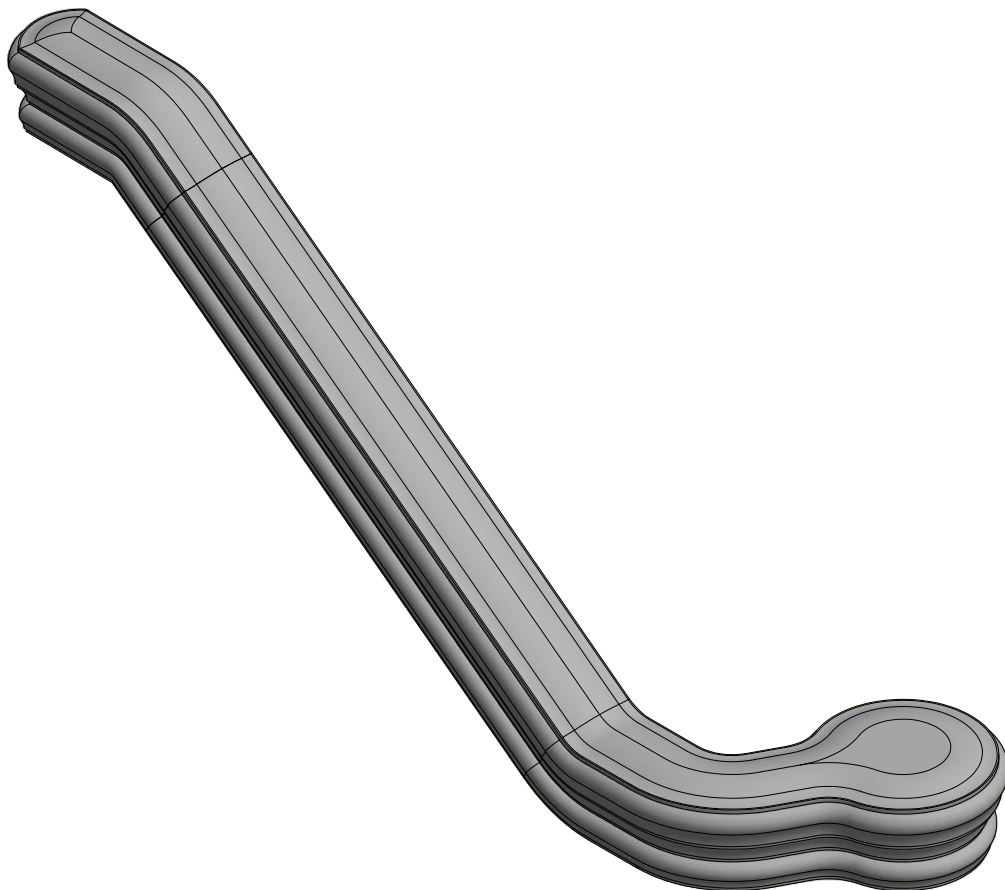
SHL-05

Scale
1 / 2

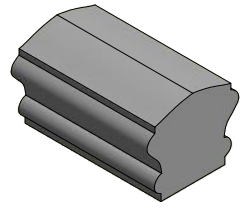
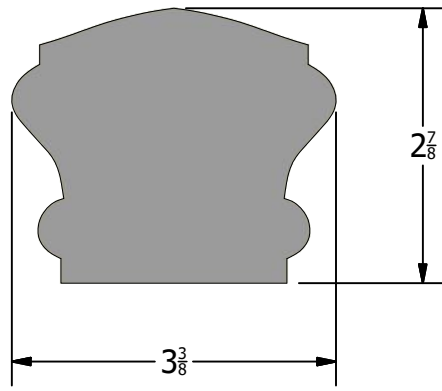


Handrails

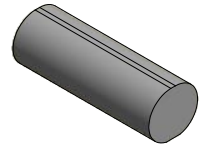
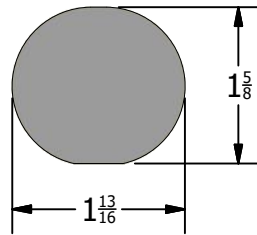
- Check with a salesman for possible modifications.
- Check with salesman for easement options.



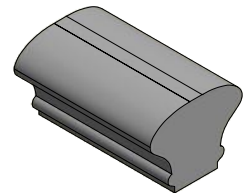
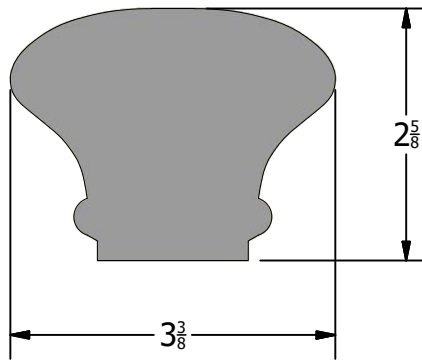
HR-01



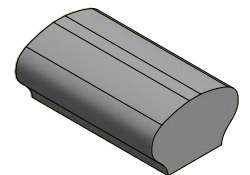
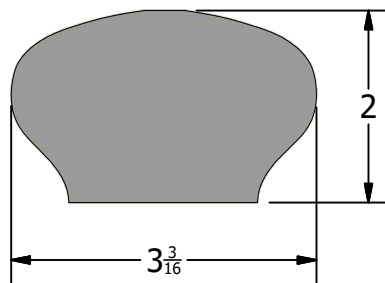
HR-02



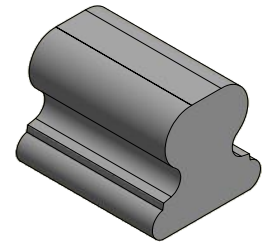
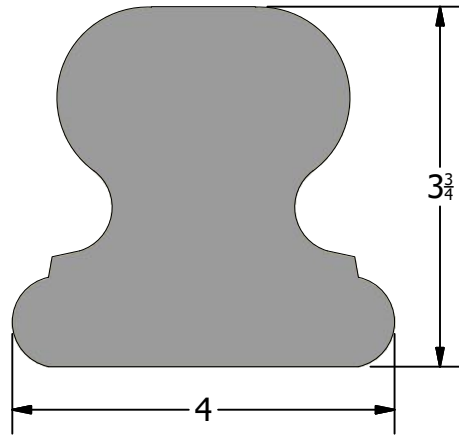
HR-03



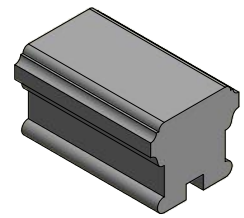
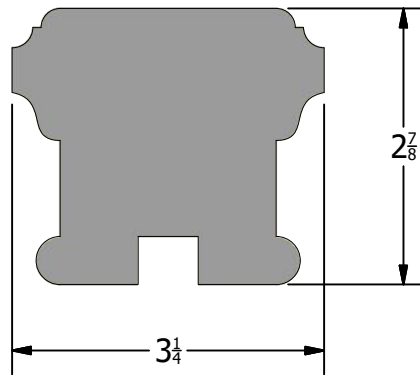
HR-04



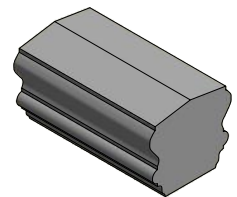
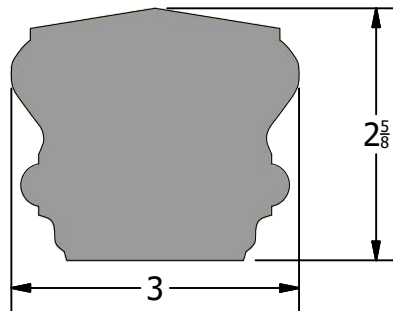
HR-05



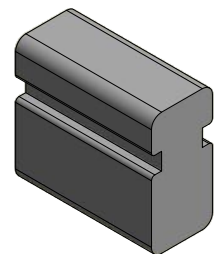
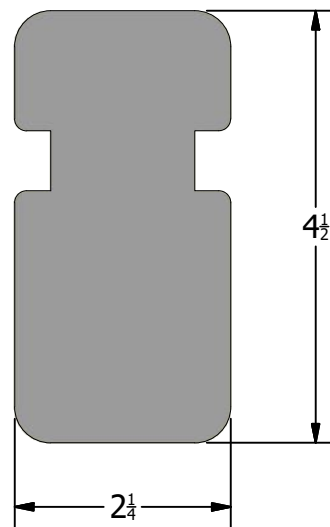
HR-06



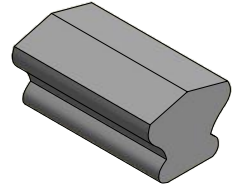
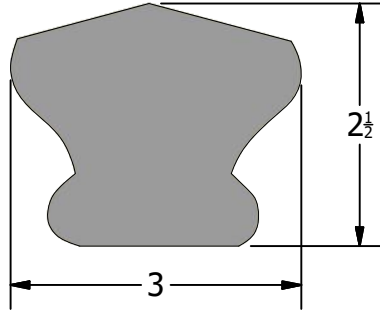
HR-07



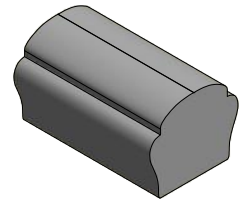
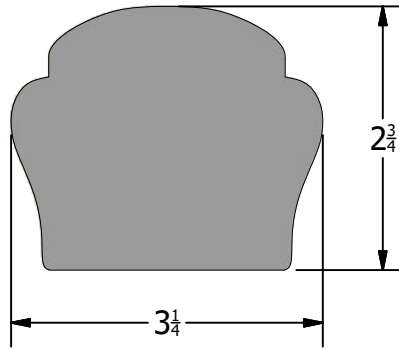
HR-08



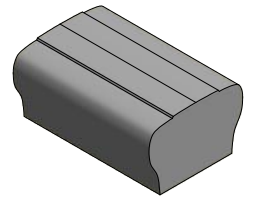
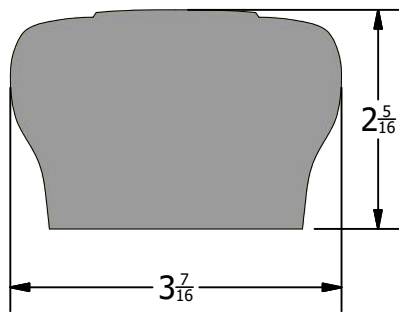
HR-09



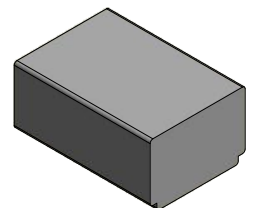
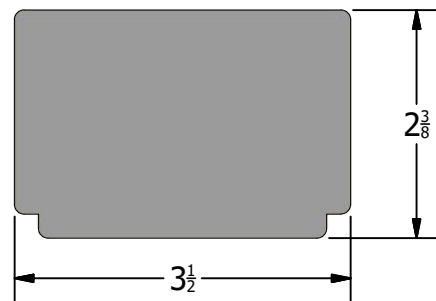
HR-10



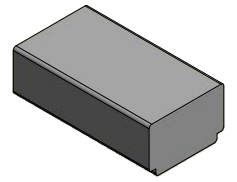
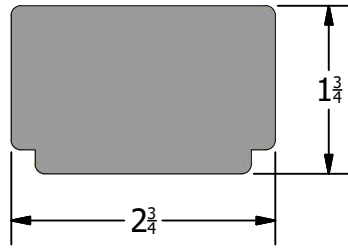
HR-11



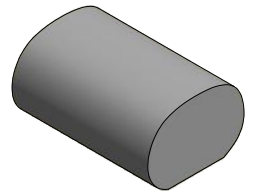
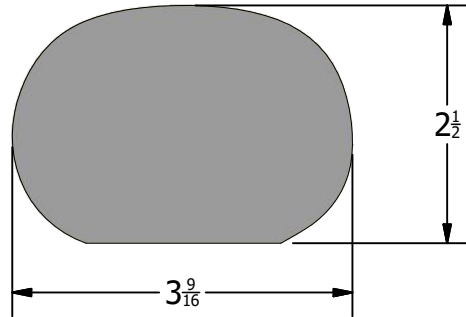
HR-12-A



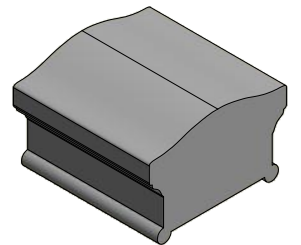
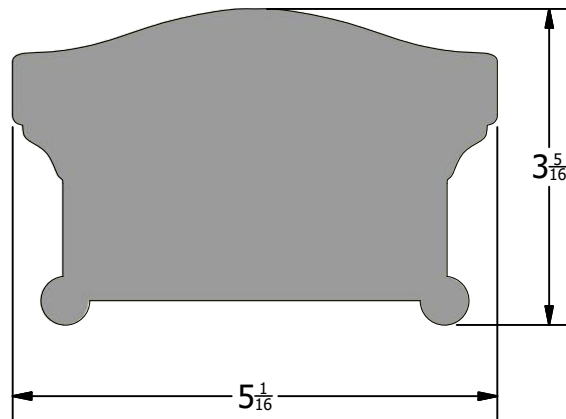
HR-12-B



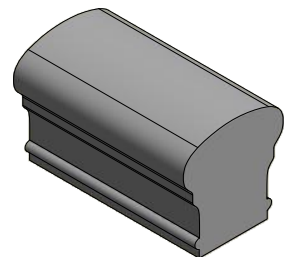
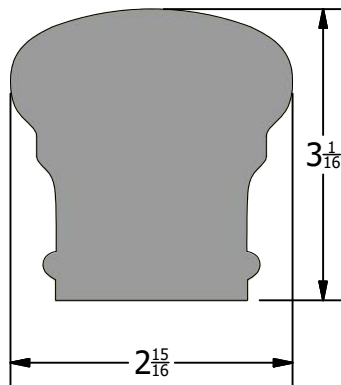
HR-13



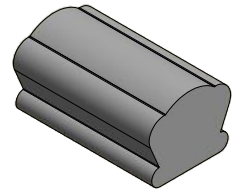
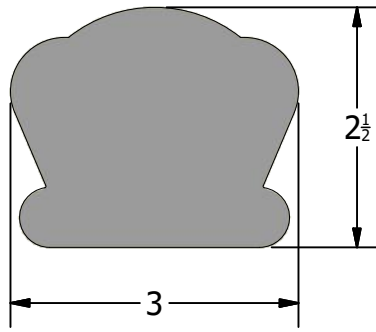
HR-14



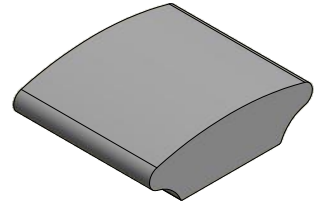
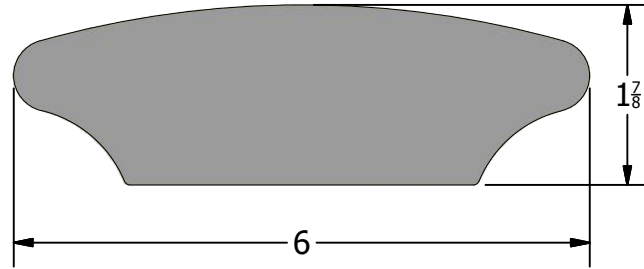
HR-15



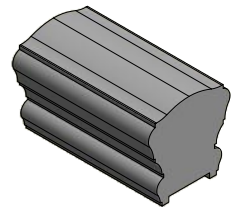
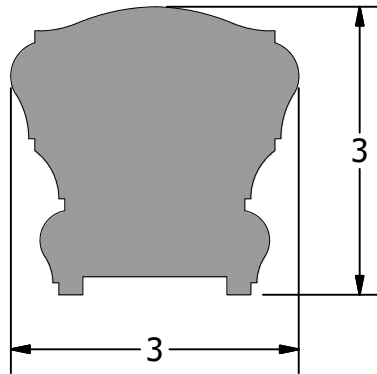
HR-17



HR-18

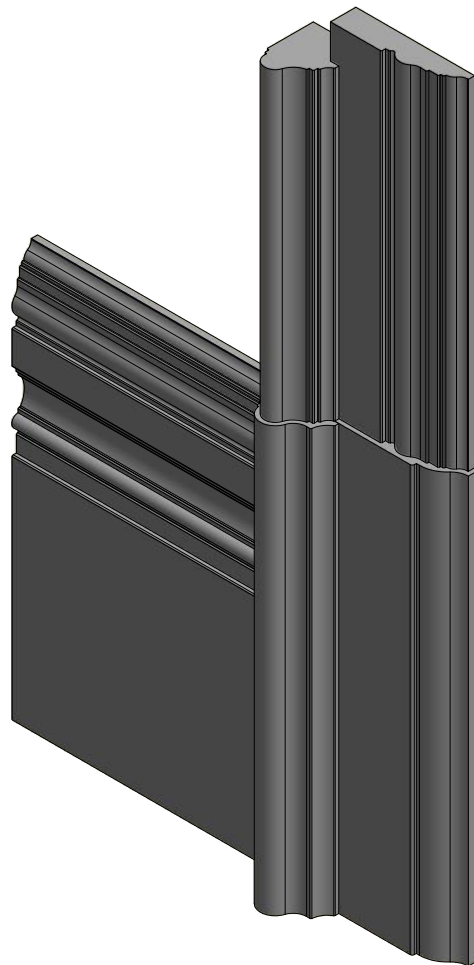


HR-19

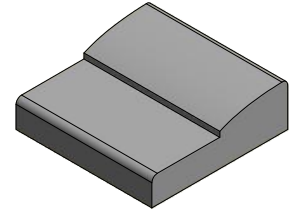
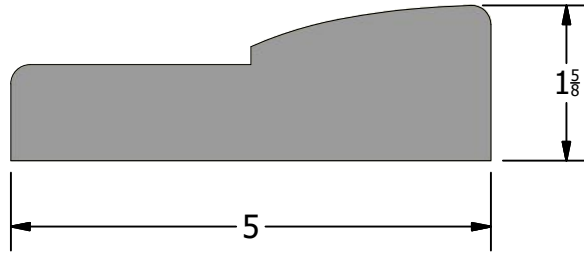


Plinth Blocks

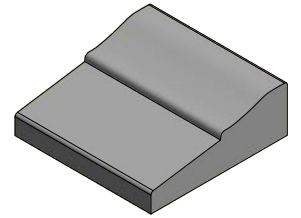
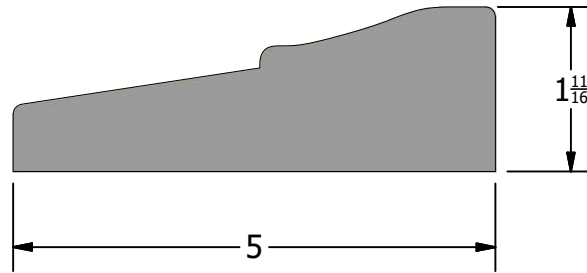
- Some Plinth blocks can be modified for width.
- Our standard height for plinth blocks is base plus 1/2"
- Keep in mind, when using plinth blocks, the bottom hinge on your door must be set above the plinth block.



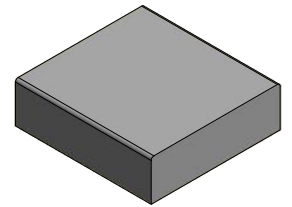
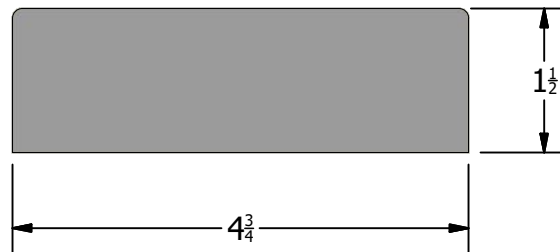
Plinth-01
Scale
1 / 2



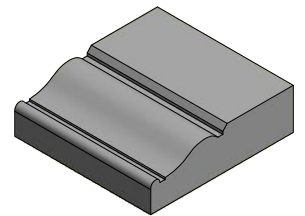
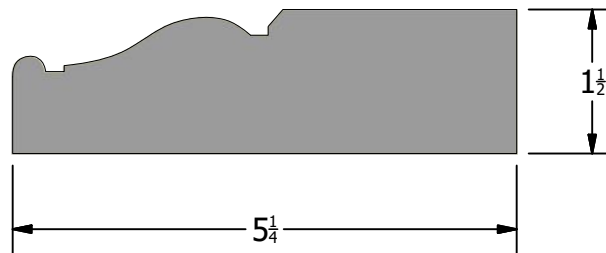
Plinth-02
Scale
1 / 2



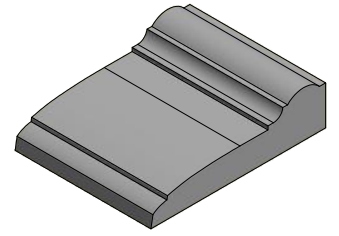
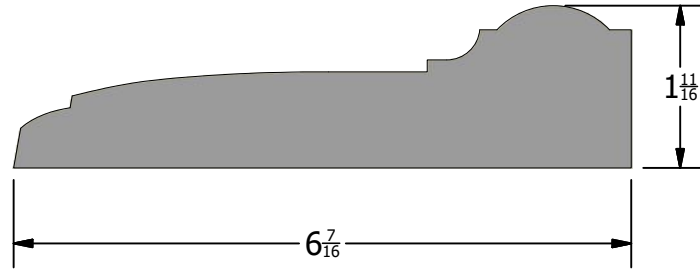
Plinth-03
Scale
1 / 2



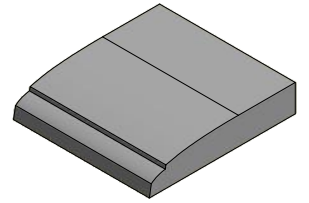
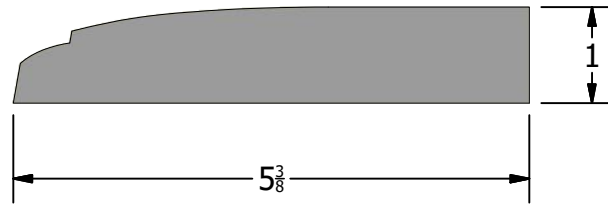
Plinth-04
Scale
1 / 2



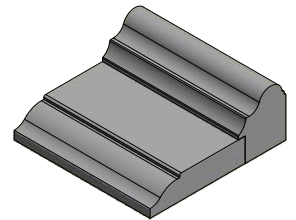
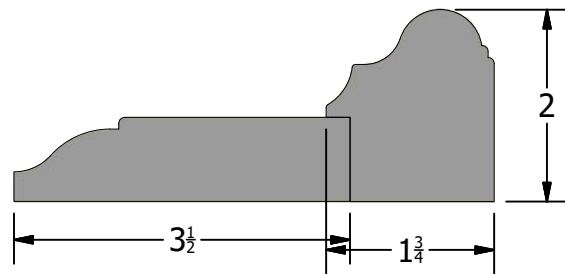
Plinth-05
Scale
1 / 2



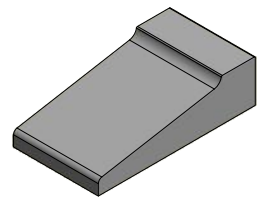
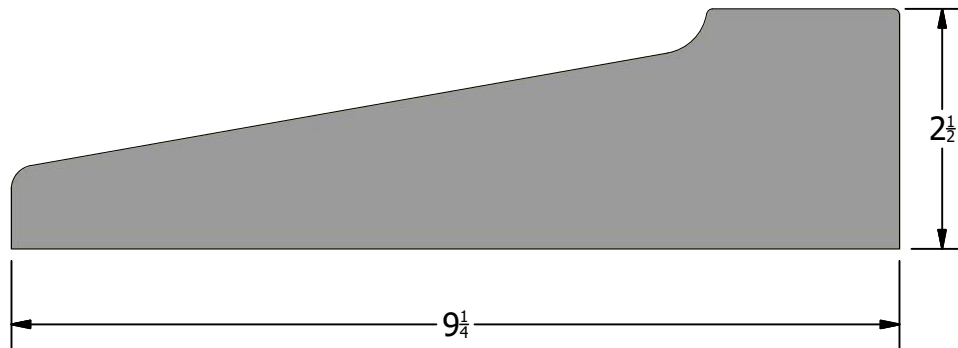
Plinth-06
Scale
1 / 2



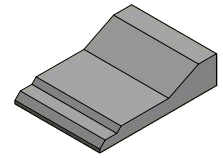
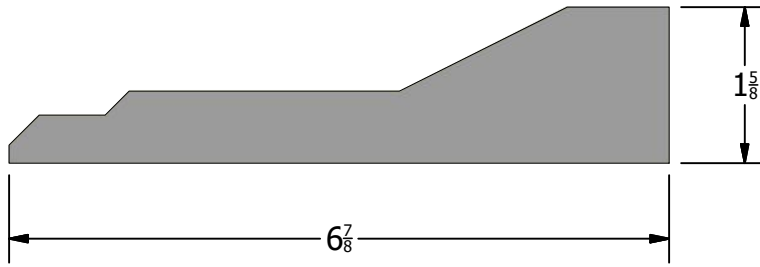
Plinth-07
Scale
1 / 2



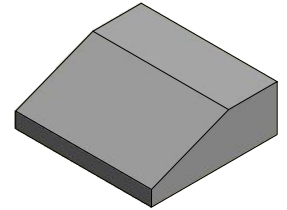
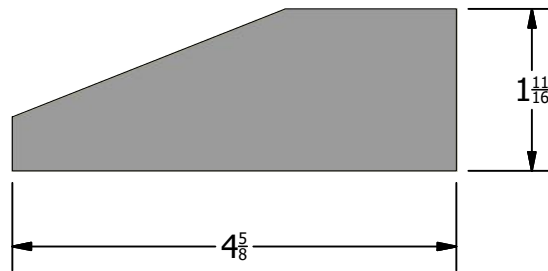
Plinth-08
Scale
1 / 2



Plinth-09
Scale
1 / 2

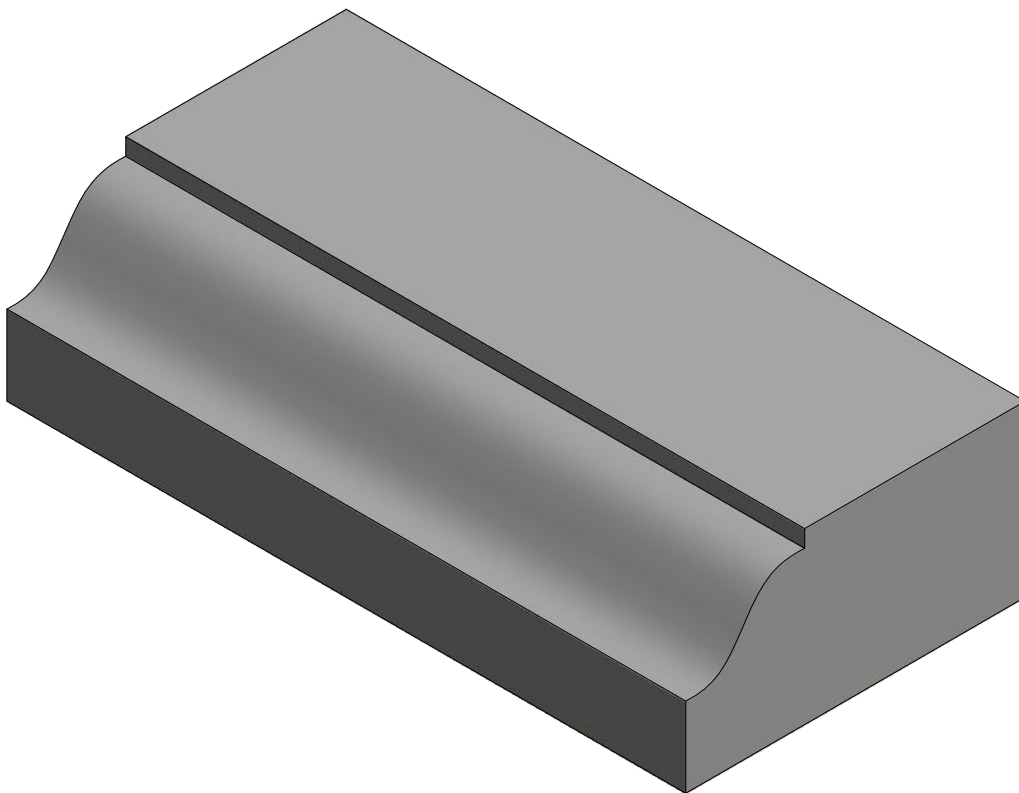


Plinth-10
Scale
1 / 2

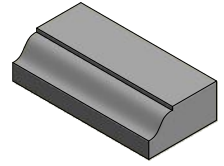
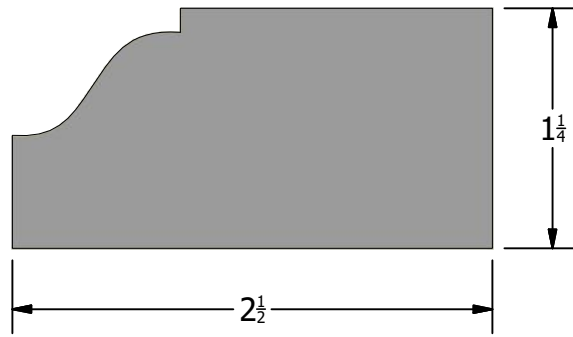


Brick Mould

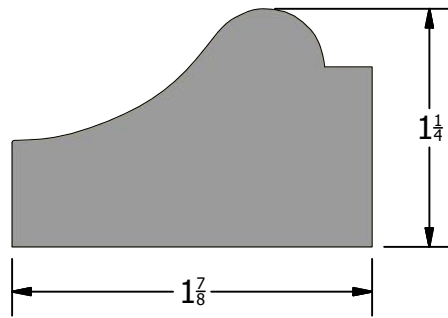
- Some modifications can be made.
- Used primarily on exterior doors and windows.



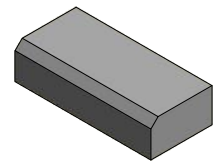
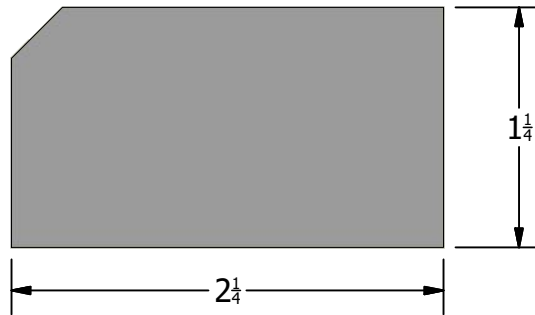
BM-01



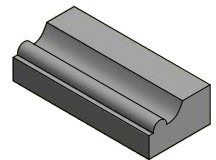
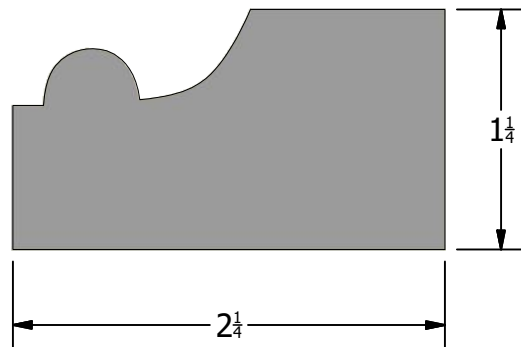
BM-02



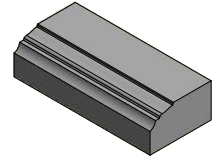
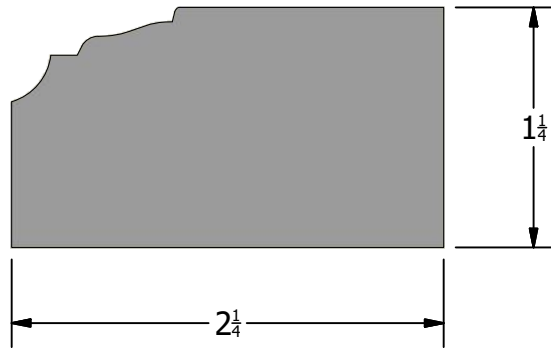
BM-03



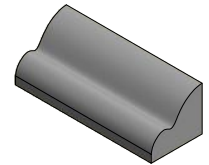
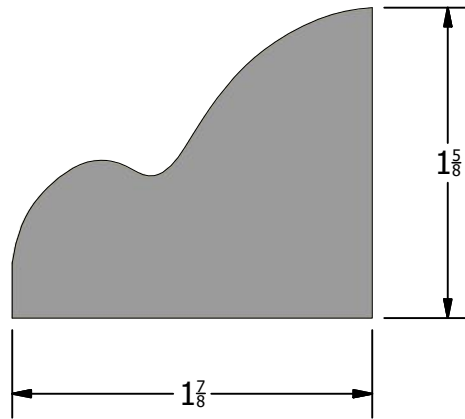
BM-04



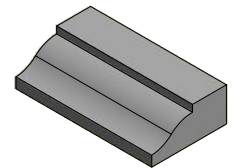
BM-05



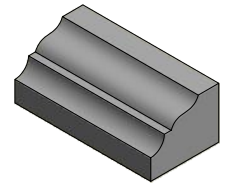
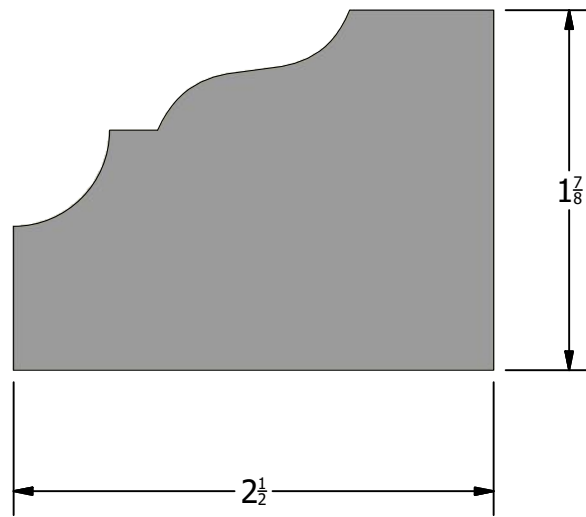
BM-06



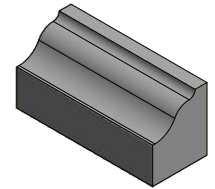
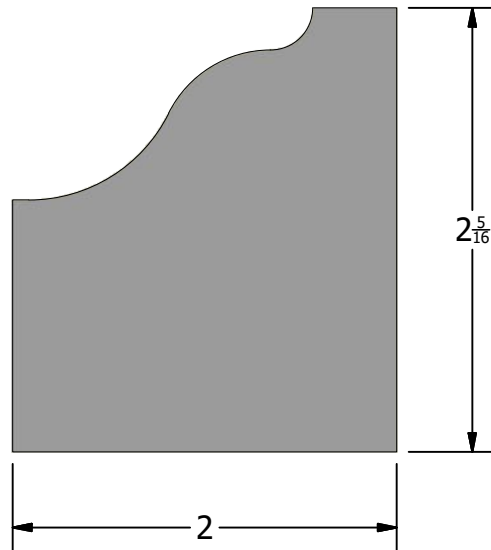
BM-07

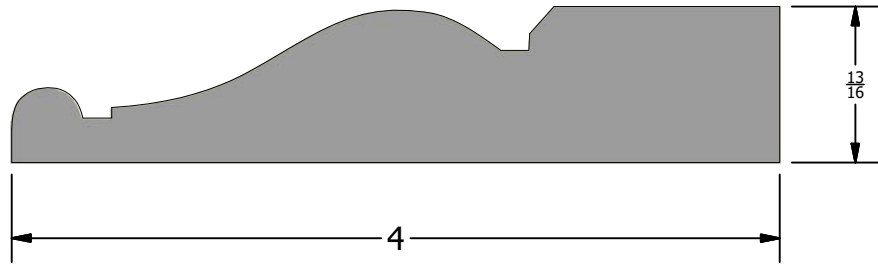


BM-08



BM-09





Description
Casing Base Board

Part Number
CB-01

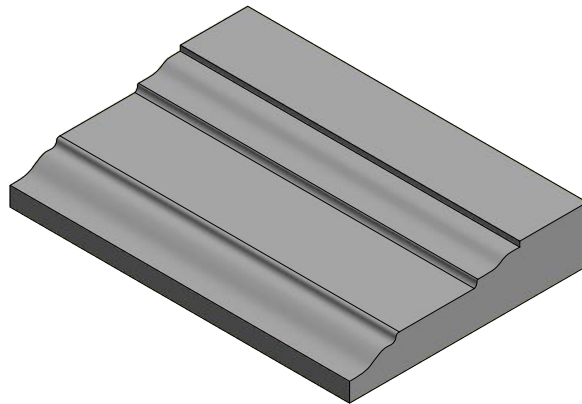
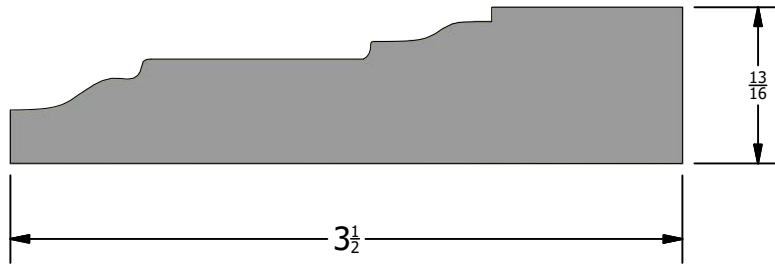
-122-

Back

Scale 1 : 1



HOMESTEAD
WOODWORKS



Description
Casing Base Board

Part Number
CB-02

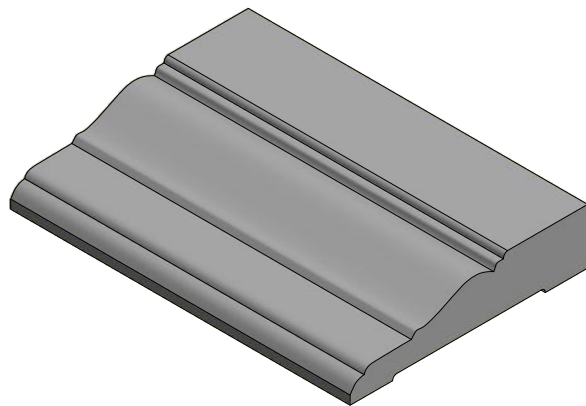
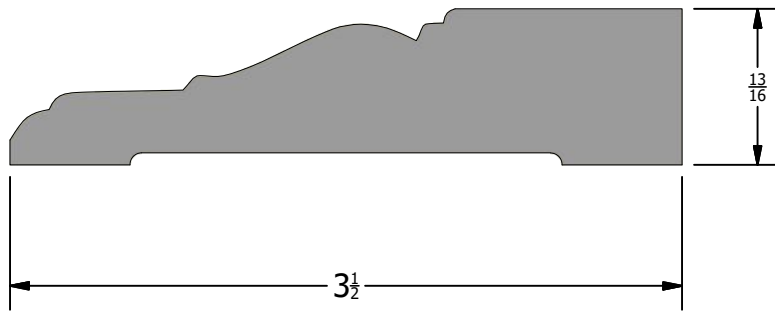
-123-

Back

Scale 1 : 1



HOMESTEAD
WOODWORKS



Description
Casing Base Board

Part Number
CB-03

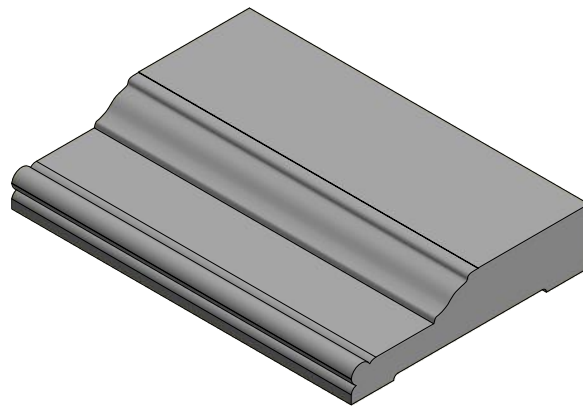
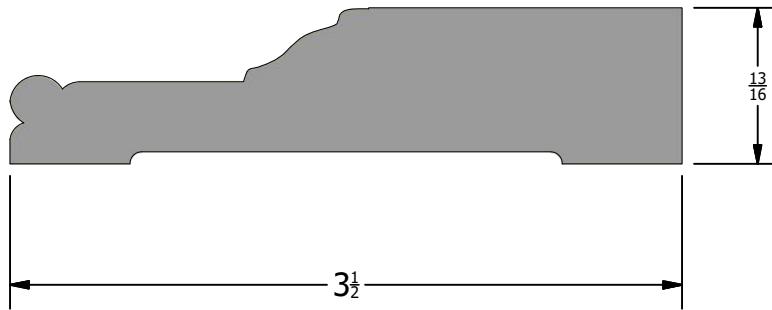
-124-

Back

Scale 1 : 1



HOMESTEAD
WOODWORKS



Description
Casing Base Board

Part Number
CB-04

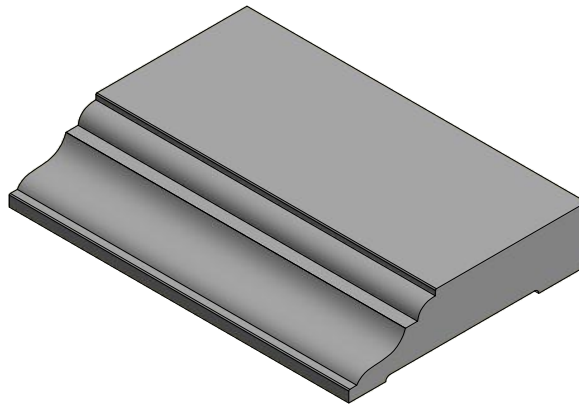
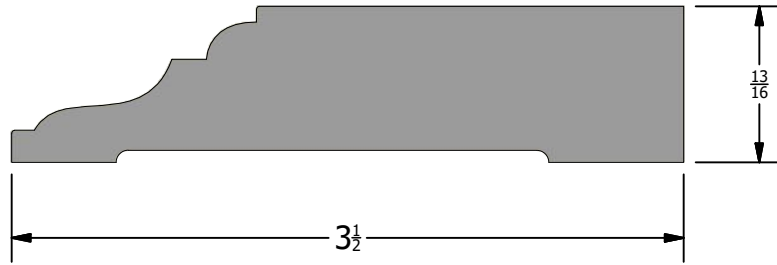
-125-

Back

Scale 1 : 1



HOMESTEAD
WOODWORKS



Description
Casing Base Board

Part Number
CB-05

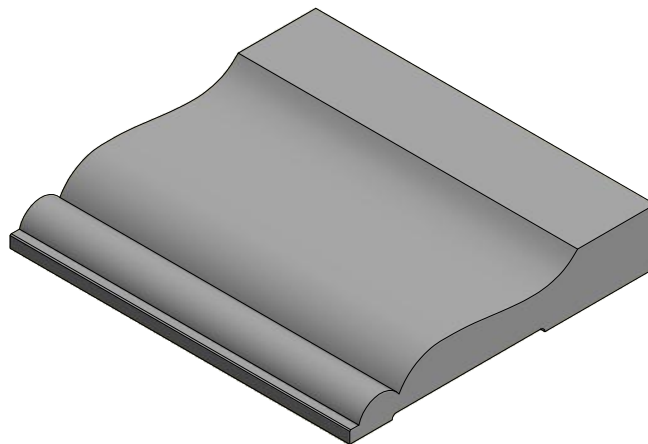
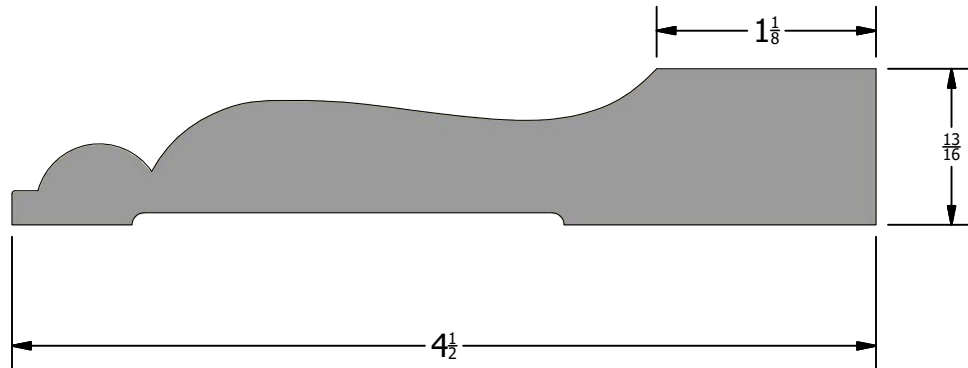
-126-

Back

Scale 1 : 1



HOMESTEAD
WOODWORKS



Description
Casing Base Board

Part Number
CB-06 -A

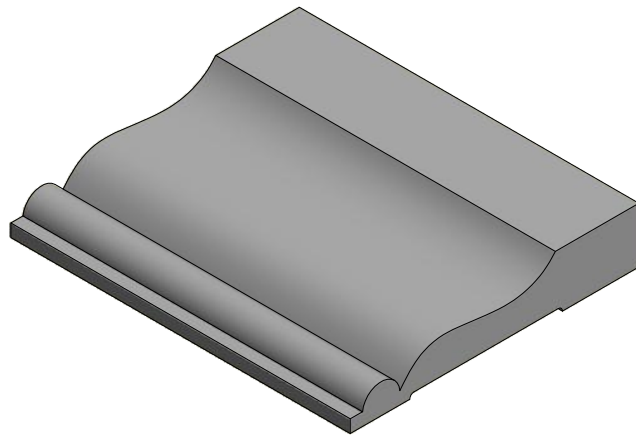
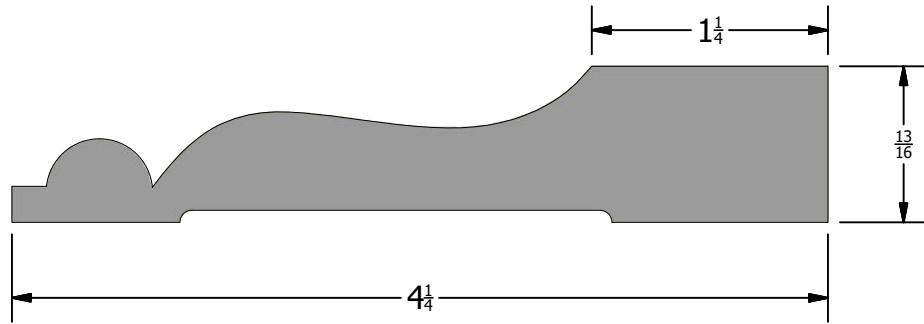
-127-

Back

Scale 1 : 1



HOMESTEAD
WOODWORKS



Description
Casing Base Board

Part Number
CB-06-B

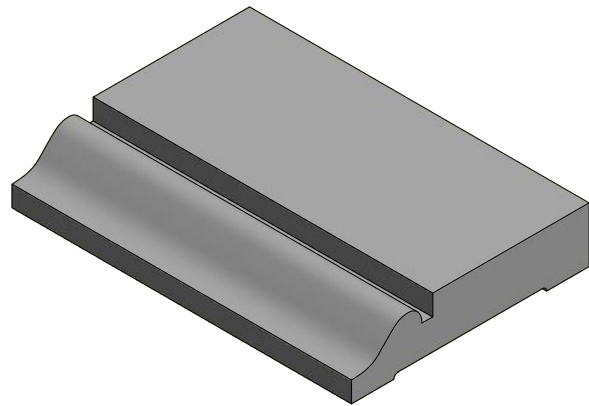
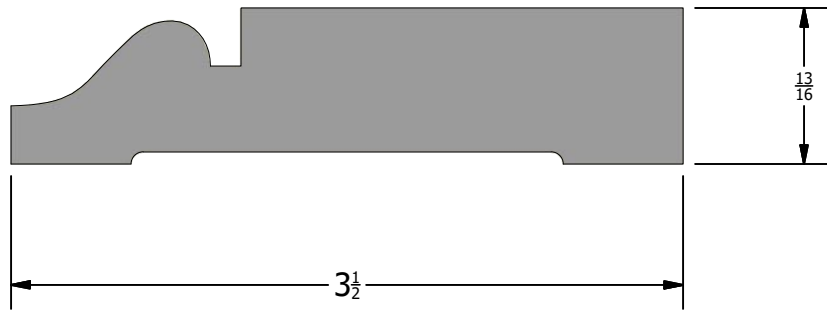
-128-


Back

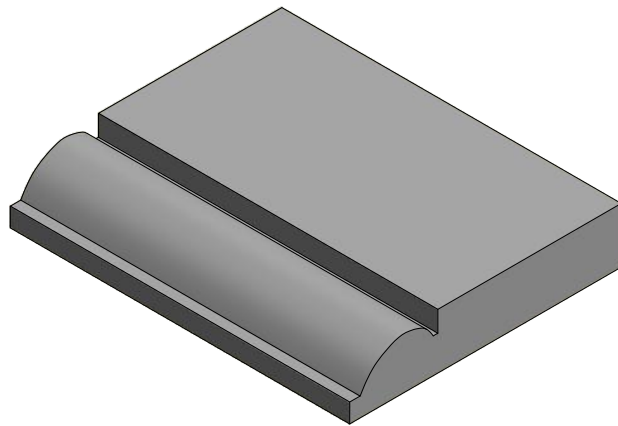
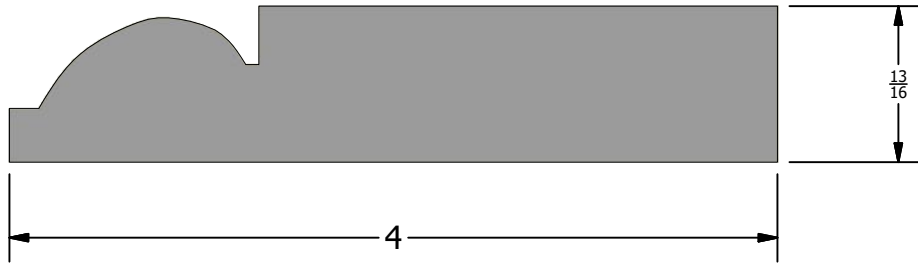
Scale 1 : 1



HOMESTEAD
WOODWORKS



Description Casing Base Board		Part Number CB-07	 HOMESTEAD WOODWORKS
-129-	Back	Scale 1 : 1	



Description
Casing Base Board

Part Number
CB-08

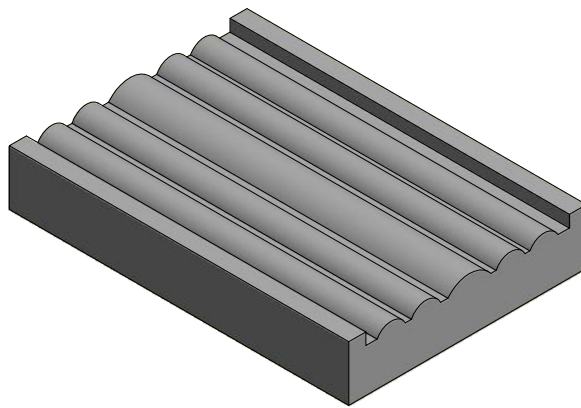
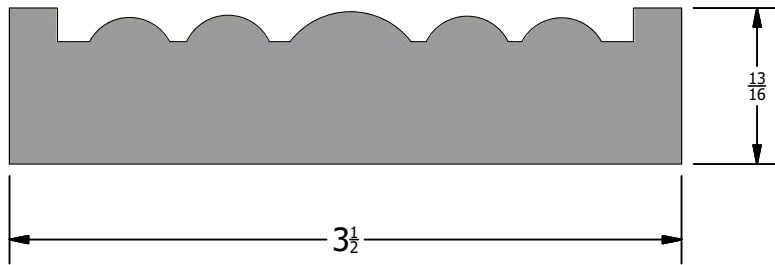
-130-

Back

Scale 1 : 1



HOMESTEAD
WOODWORKS



Description
Casing Base Board

Part Number
CB-09

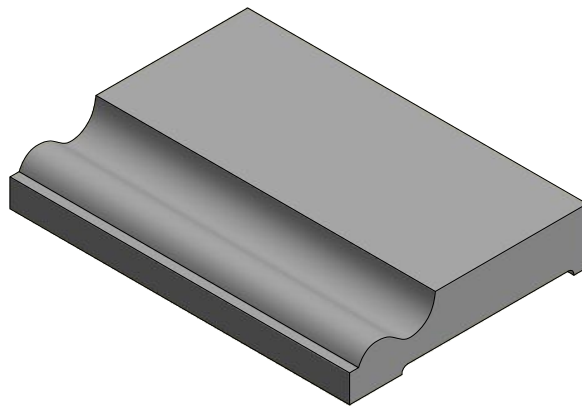
-131-

Back

Scale 1 : 1



HOMESTEAD
WOODWORKS



Description
Casing Base Board

Part Number
CB-10

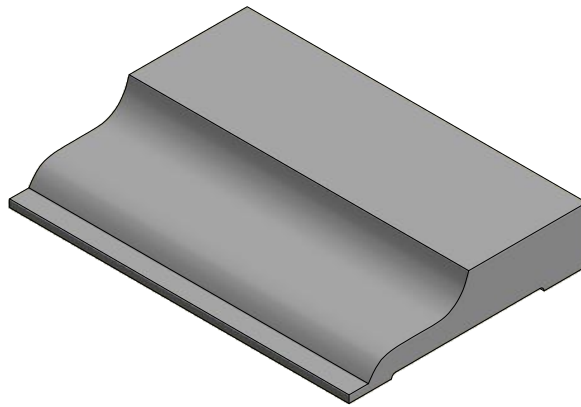
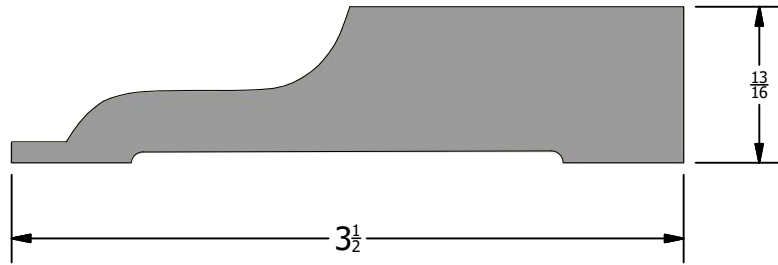
-132-

Back

Scale 1 : 1



HOMESTEAD
WOODWORKS



Description
Casing Base Board

Part Number
CB-11

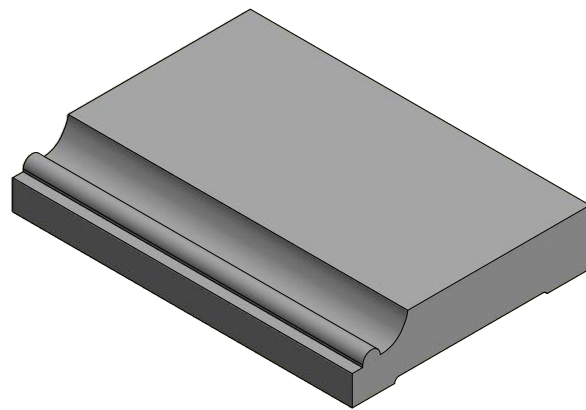
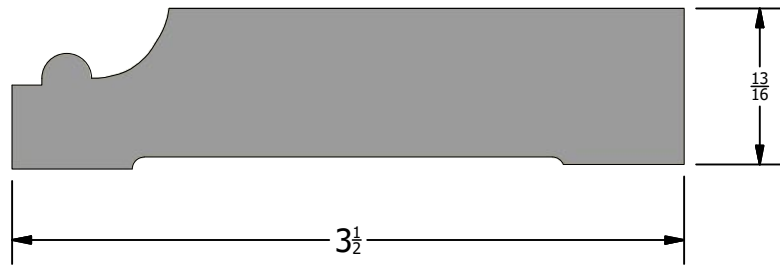
-133-

Back

Scale 1 : 1



HOMESTEAD
WOODWORKS



Description
Casing Base Board

Part Number
CB-12

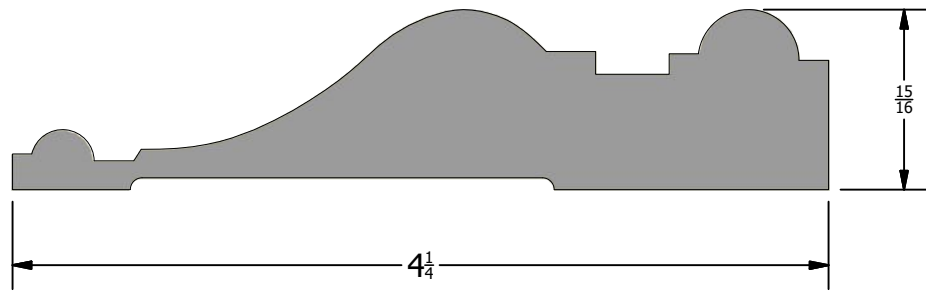
-134-

Back

Scale 1 : 1



HOMESTEAD
WOODWORKS



Description
Casing Base Board

Part Number
CB-13

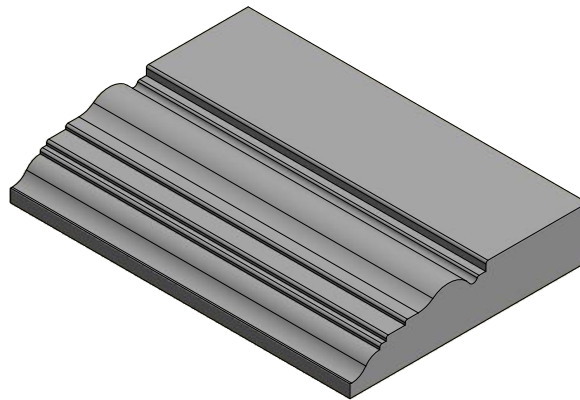
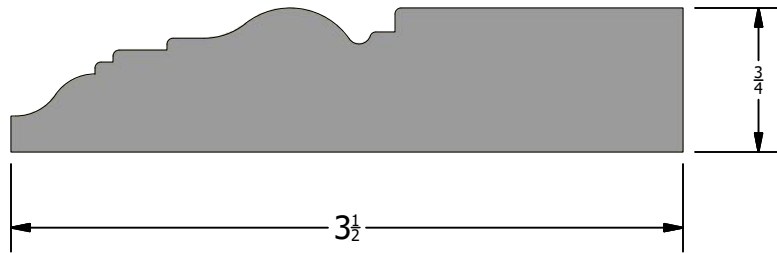
-135-

Back

Scale 1 : 1



HOMESTEAD
WOODWORKS



Description
Casing Base Board

Part Number
CB-14

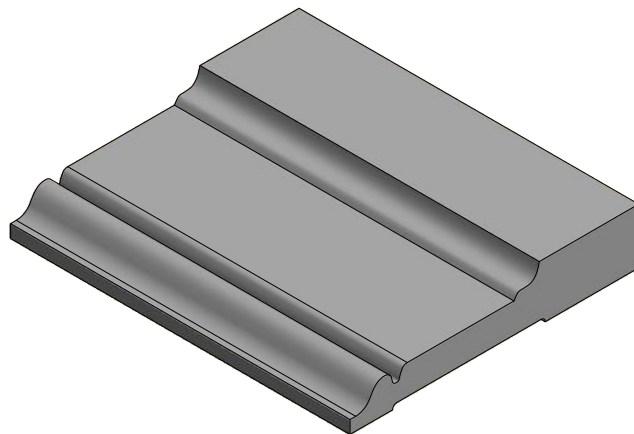
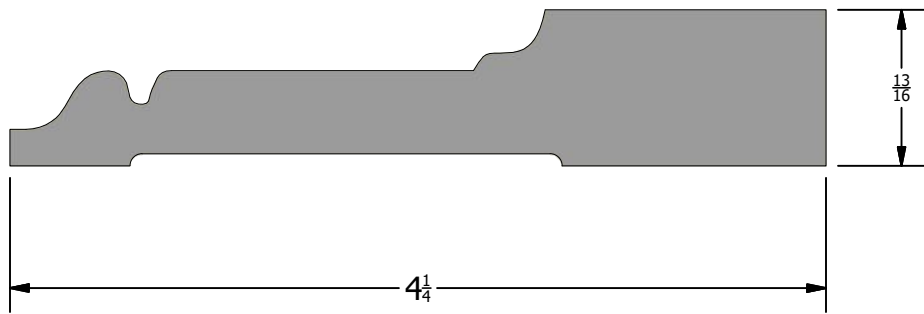
-136-

Back

Scale 1 : 1



HOMESTEAD
WOODWORKS



Description
Casing Base Board

Part Number
CB-15

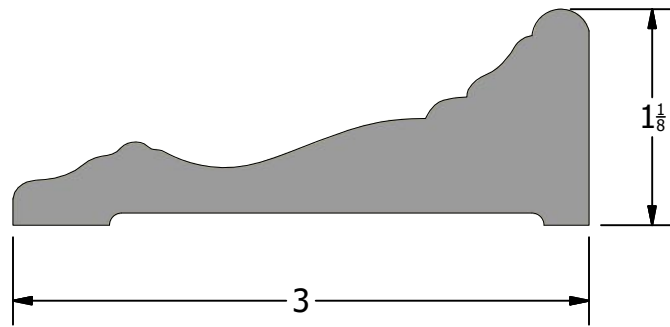
-137-

Back

Scale 1 : 1



HOMESTEAD
WOODWORKS



Description
Casing Base Board

Part Number
CB-16

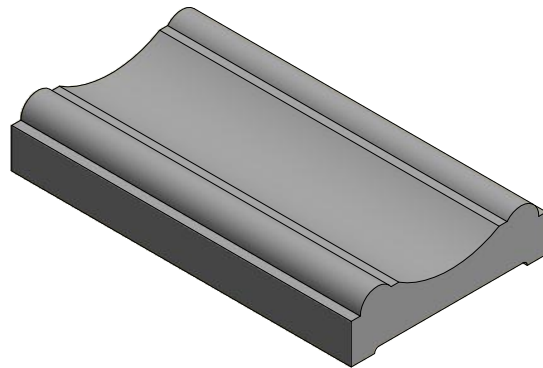
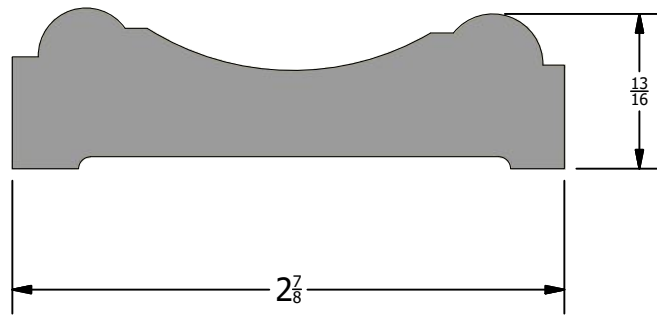
-138-

Back

Scale 1 : 1



HOMESTEAD
WOODWORKS



Description
Casing Base Board

Part Number
CB-17

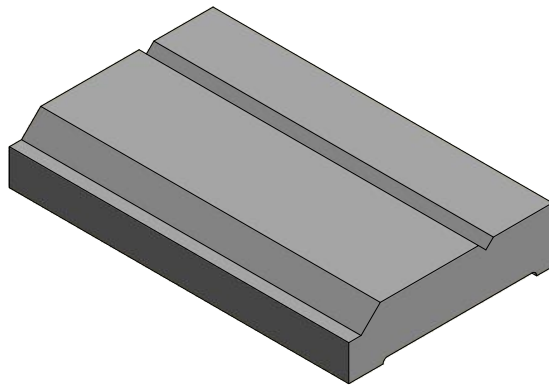
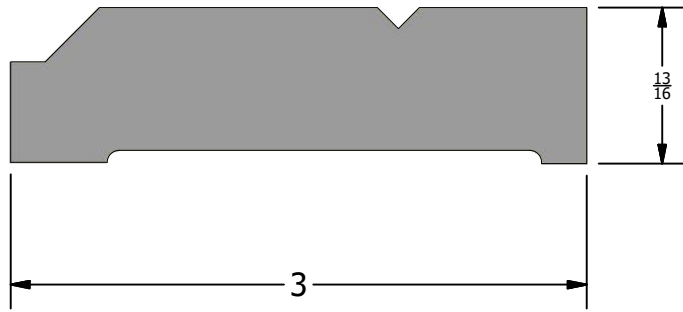
-139-

Back

Scale 1 : 1



HOMESTEAD
WOODWORKS



Description
Casing Base Board

Part Number
CB-18

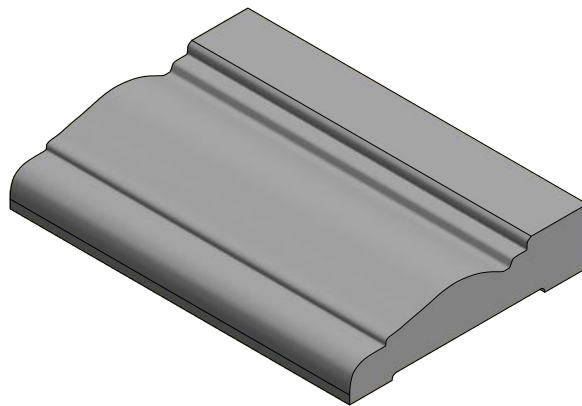
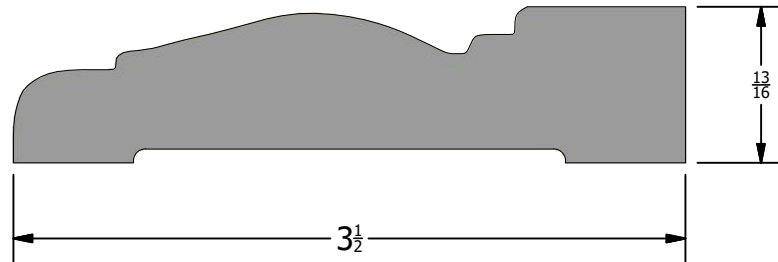
-140-

Back

Scale 1 : 1



HOMESTEAD
WOODWORKS



Description
Casing Base Board

Part Number
CB-19

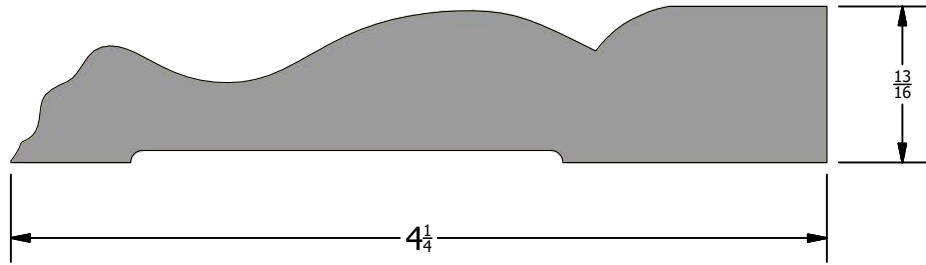
-141-


Back

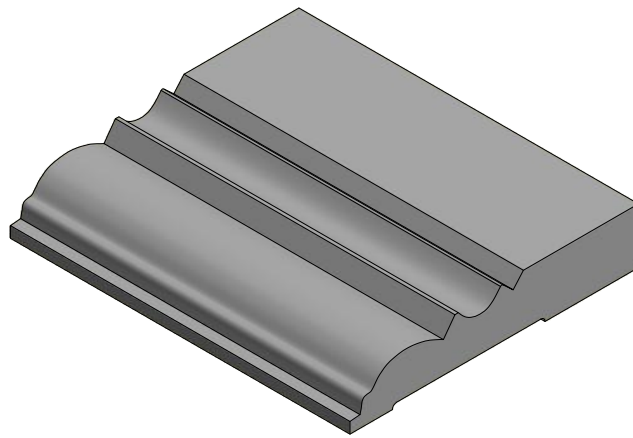
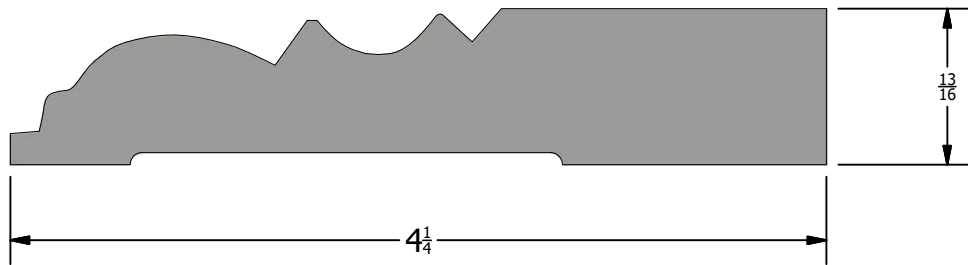
Scale 1 : 1



HOMESTEAD
WOODWORKS



Description Casing Base Board		Part Number CB-20	 HOMESTEAD WOODWORKS
-142-	Back	Scale 1 : 1	



Description
Casing Base Board

Part Number
CB-21

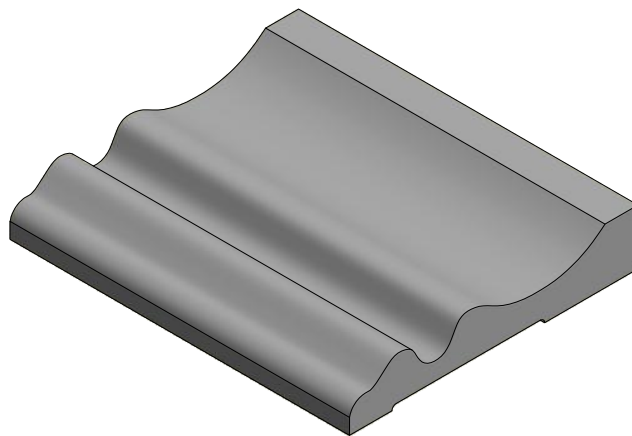
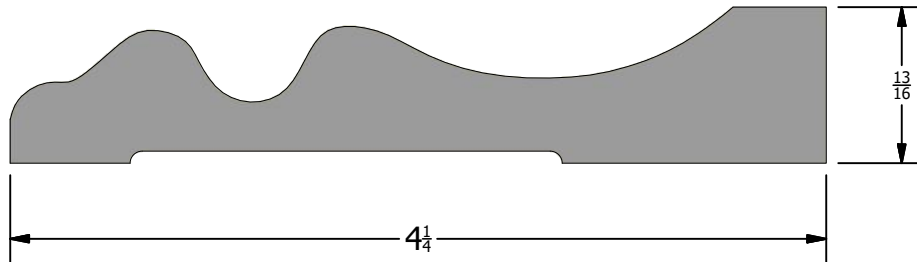
-143-

Back

Scale 1 : 1



HOMESTEAD
WOODWORKS



Description
Casing Base Board

Part Number
CB-22

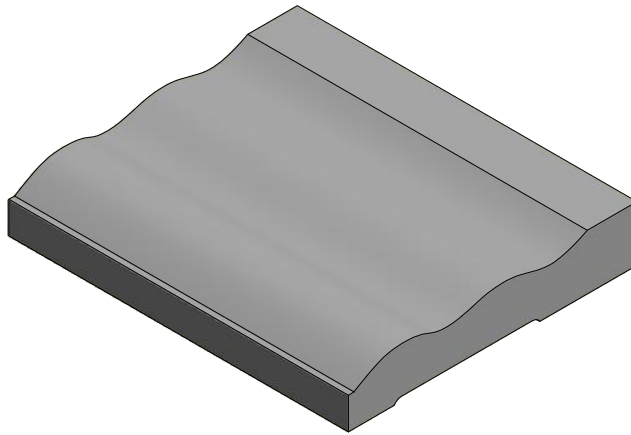
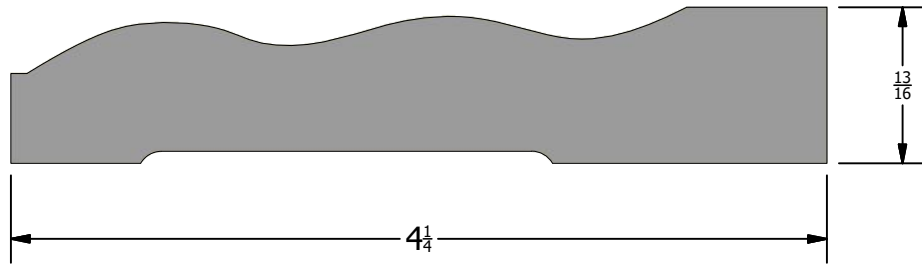
-144-

Back

Scale 1 : 1



HOMESTEAD
WOODWORKS



Description
Casing Base Board

Part Number
CB-23

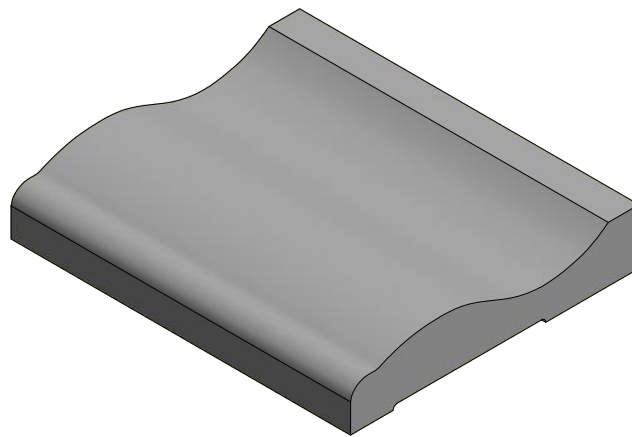
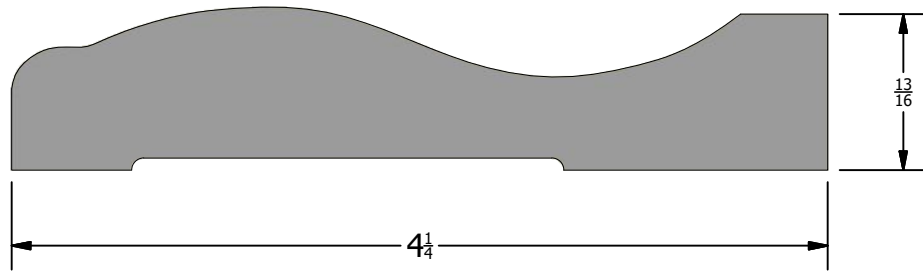
-145-

Back

Scale 1 : 1



HOMESTEAD
WOODWORKS



Description
Casing Base Board

Part Number
CB-24

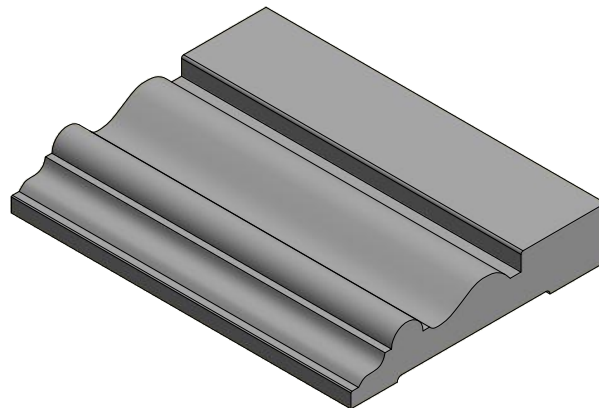
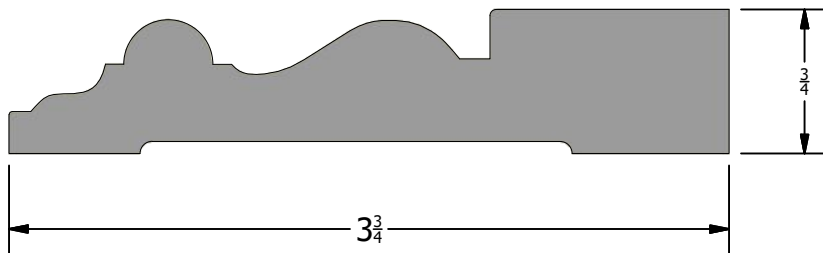
-146-

Back

Scale 1 : 1



HOMESTEAD
WOODWORKS



Description
Casing Base Board

Part Number
CB-25

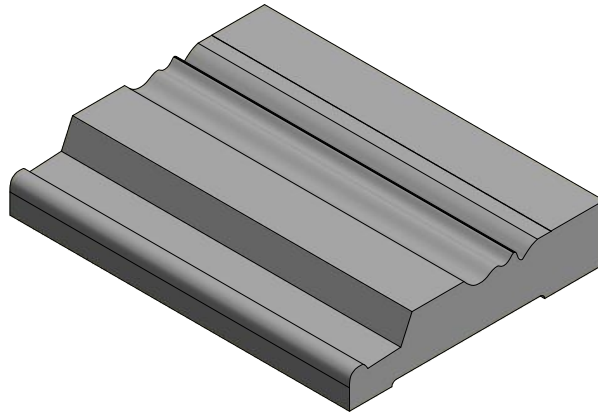
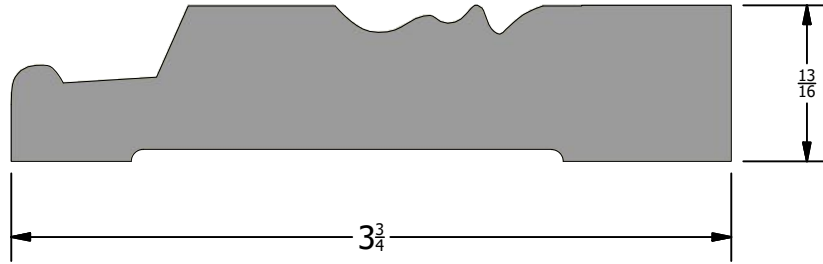
-147-

Back

Scale 1 : 1



HOMESTEAD
WOODWORKS



Description
Casing Base Board

Part Number
CB-26

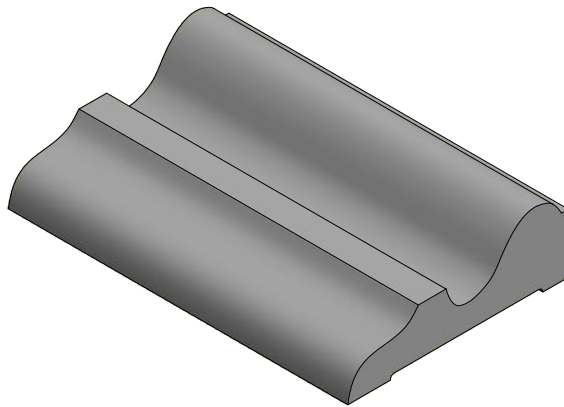
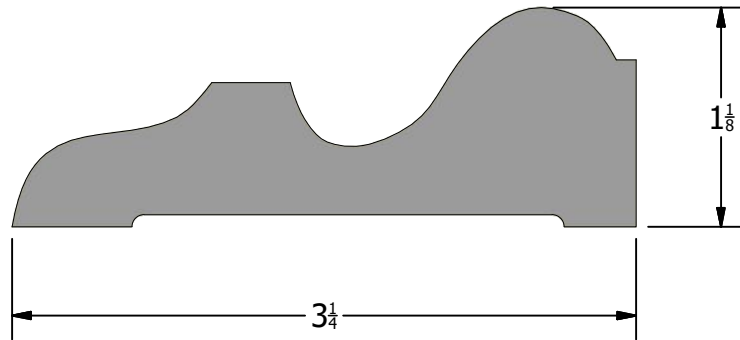
-148-

Back

Scale 1 : 1



HOMESTEAD
WOODWORKS



Description
Casing Base Board

Part Number
CB-27

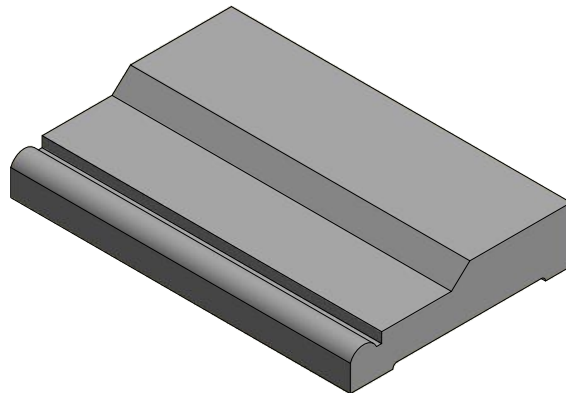
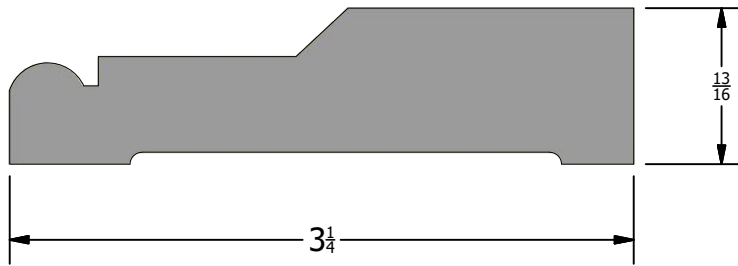
-149-

Back

Scale 1 : 1



HOMESTEAD
WOODWORKS



Description
Casing Base Board

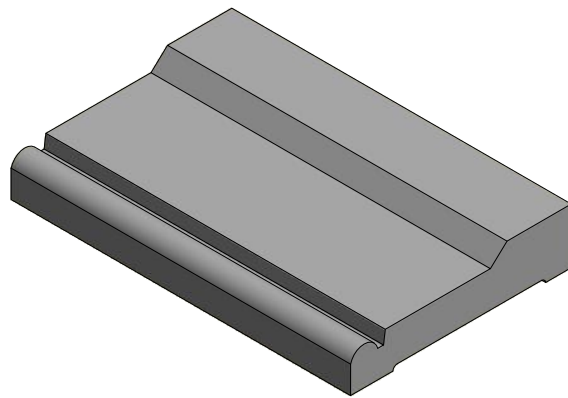
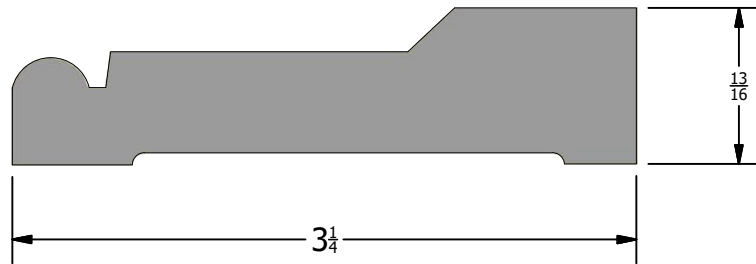
Part Number
CB-28 -A



-150-

Back

Scale 1 : 1



Description
Casing Base Board

Part Number
CB-28-B

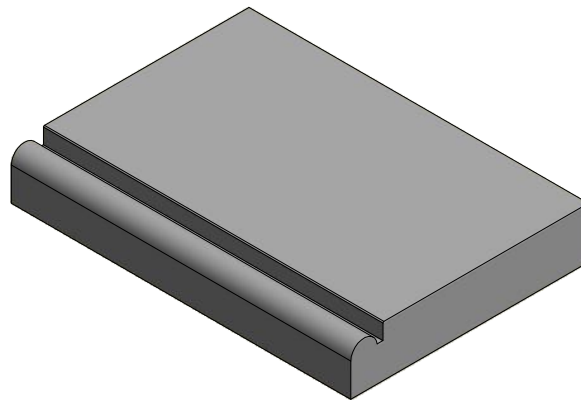
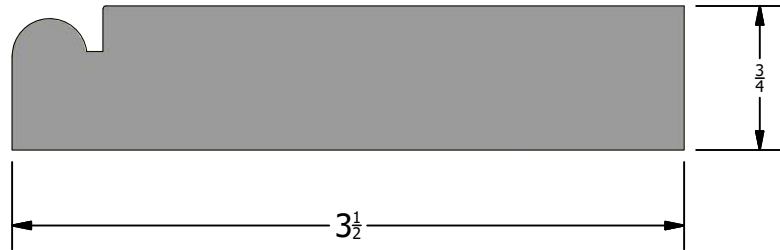
-151-

Back

Scale 1 : 1



HOMESTEAD
WOODWORKS



Description
Casing Base Board

Part Number
CB-28-C

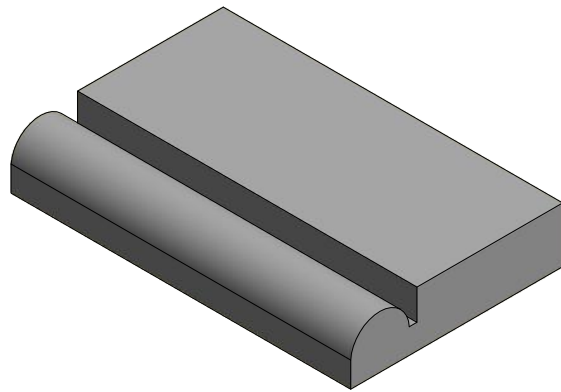
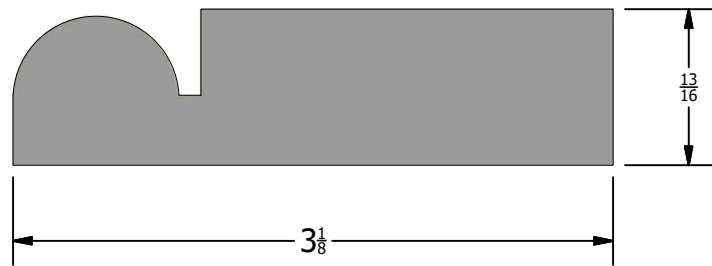
-152-

Back

Scale 1 : 1



HOMESTEAD
WOODWORKS



Description
Casing Base Board

Part Number
CB-28-D

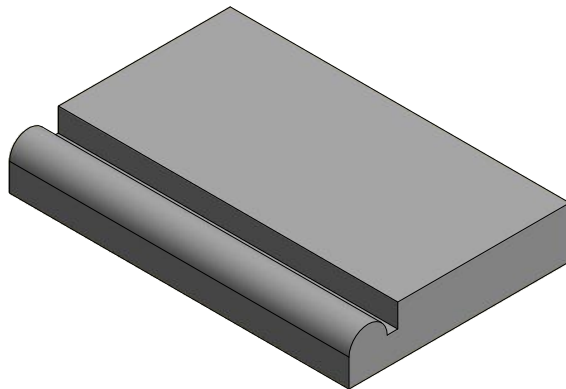
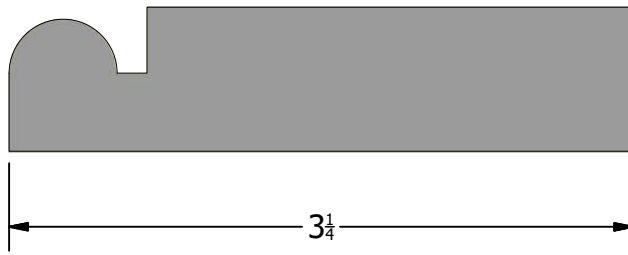
-153-

Back

Scale 1 : 1



HOMESTEAD
WOODWORKS



Description
Casing Base Board

Part Number
CB-28-E

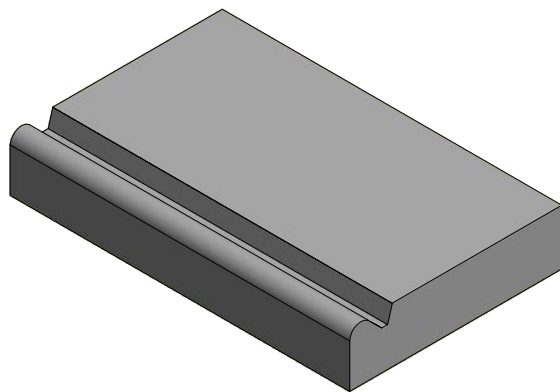
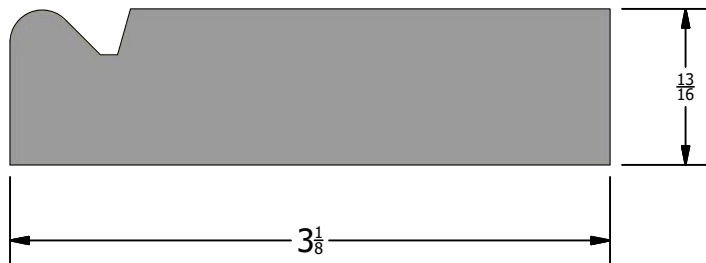
-154-

Back

Scale 1 : 1



HOMESTEAD
WOODWORKS



Description
Casing Base Board

Part Number
CB-29

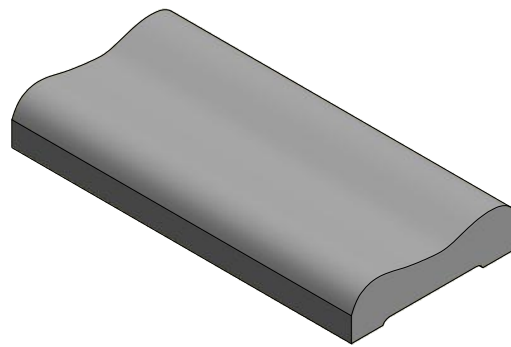
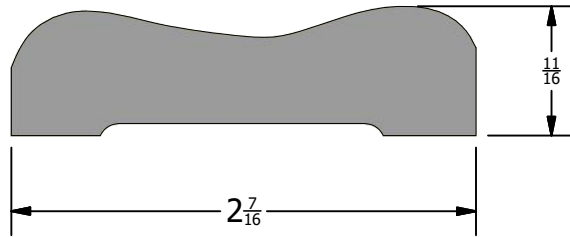
-155-

Back

Scale 1 : 1



HOMESTEAD
WOODWORKS



Description
Casing Base Board

Part Number
CB-30

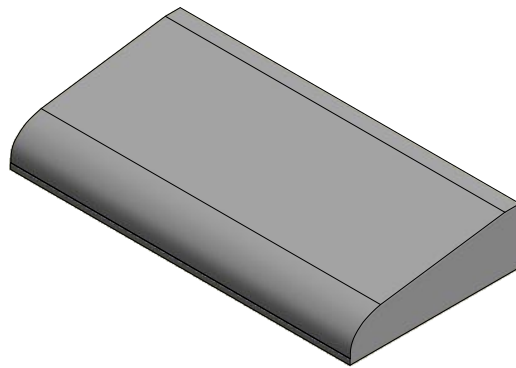
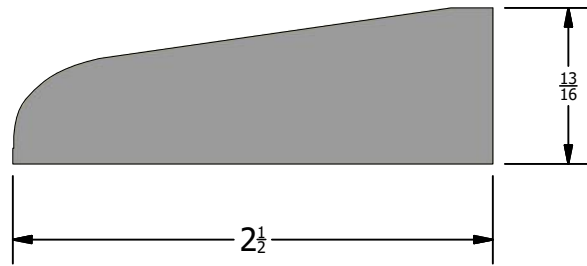
-156-

Back

Scale 1 : 1



HOMESTEAD
WOODWORKS



Description
Casing Base Board

Part Number
CB-31

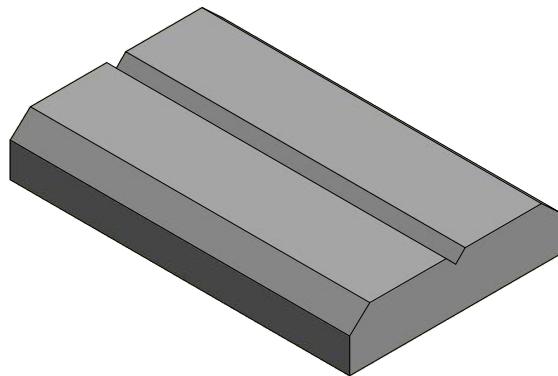
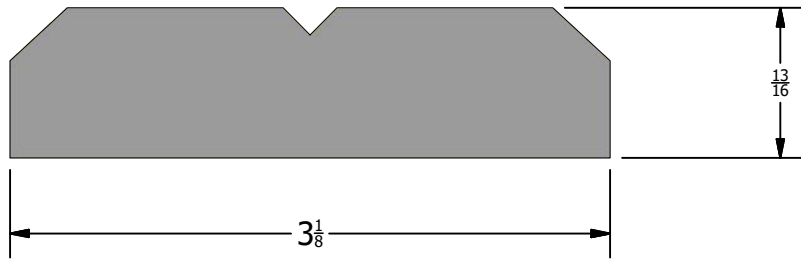
-157-

Back

Scale 1 : 1



HOMESTEAD
WOODWORKS



Description
Casing Base Board

Part Number
CB-32

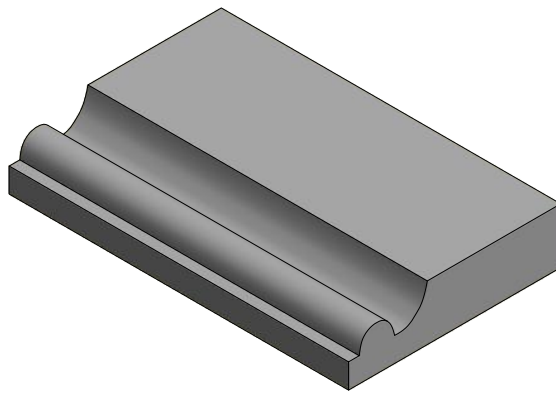
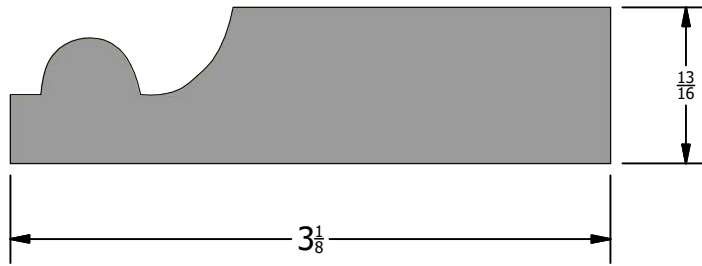
-158-

Back

Scale 1 : 1



HOMESTEAD
WOODWORKS



Description
Casing Base Board

Part Number
CB-33

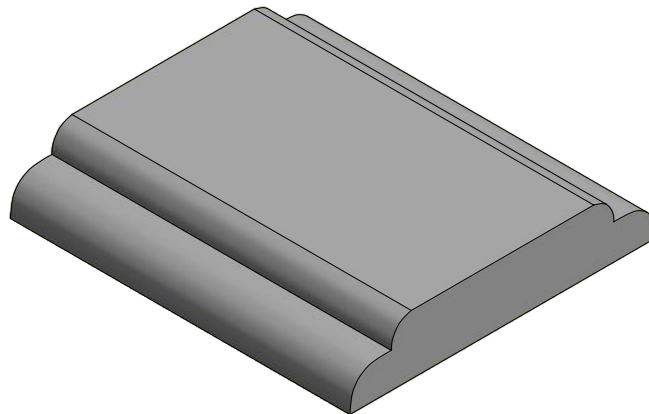
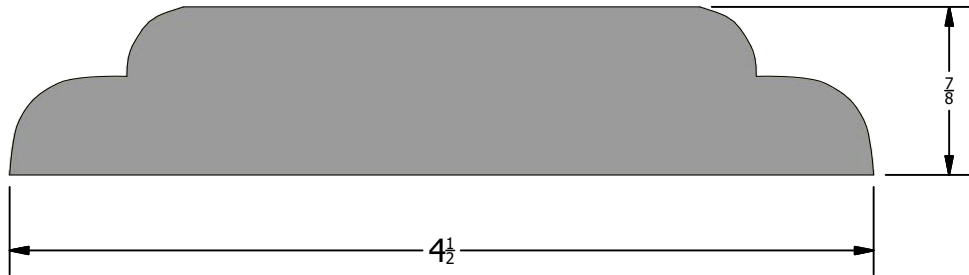
-159-

Back

Scale 1 : 1



HOMESTEAD
WOODWORKS



Description
Casing Base Board

Part Number
CB-34

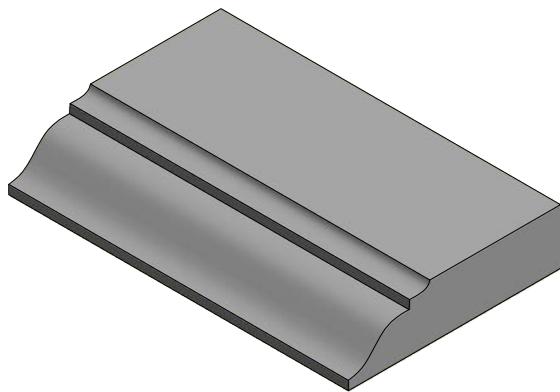
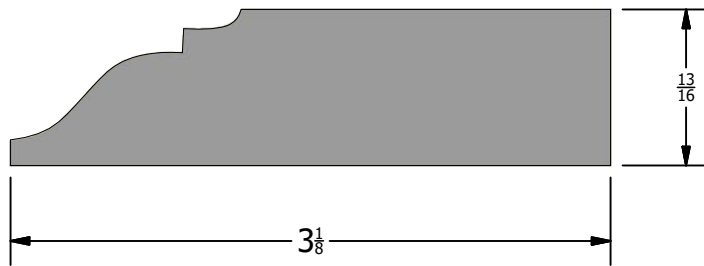
-160-

Back

Scale 1 : 1



HOMESTEAD
WOODWORKS



Description
Casing Base Board

Part Number
CB-35

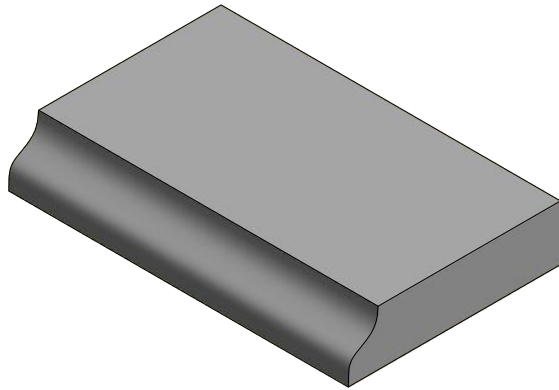
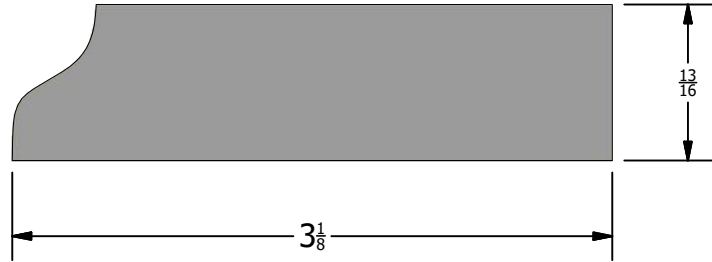
-161-

Back

Scale 1 : 1



HOMESTEAD
WOODWORKS



Description
Casing Base Board

Part Number
CB-36

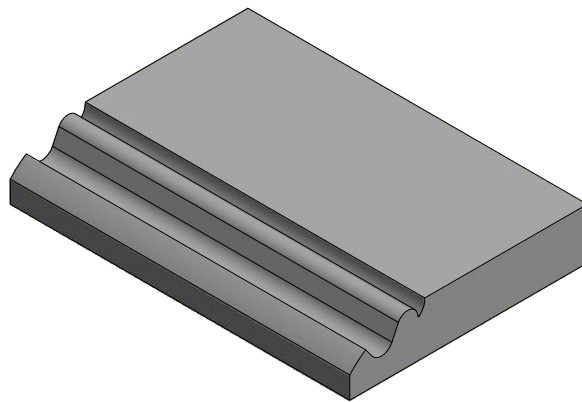
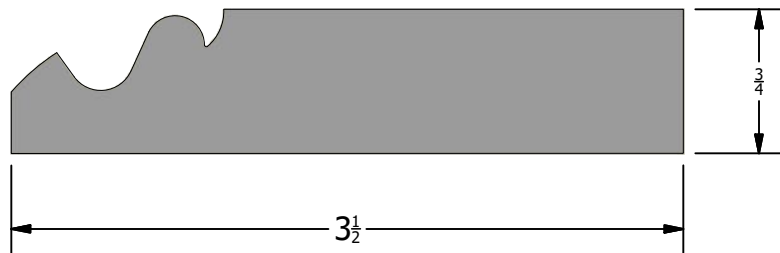
-162-

Back

Scale 1 : 1



HOMESTEAD
WOODWORKS



Description
Casing Base Board

Part Number
CB-37

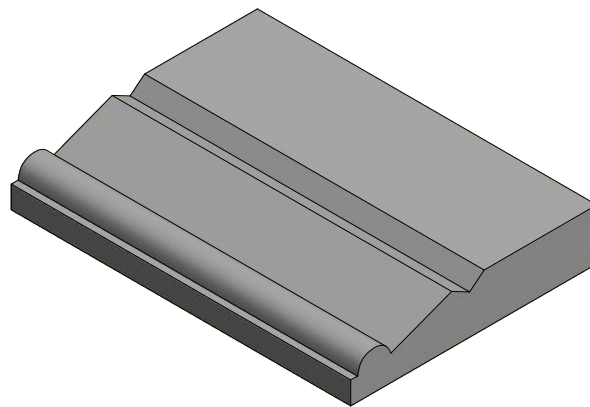
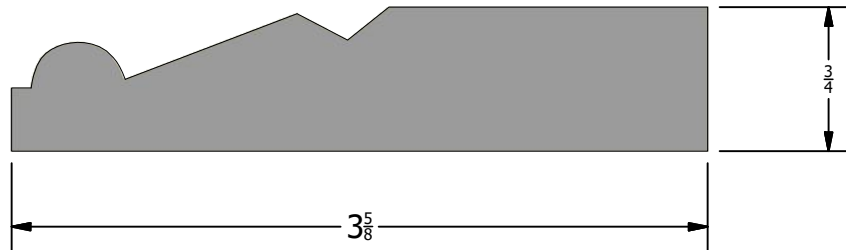
-163-

Back

Scale 1 : 1



HOMESTEAD
WOODWORKS



Description
Casing Base Board

Part Number
CB-38

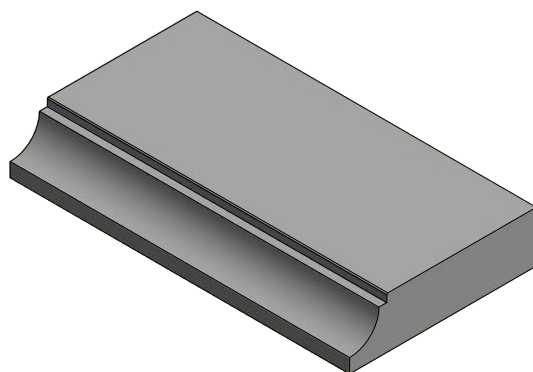
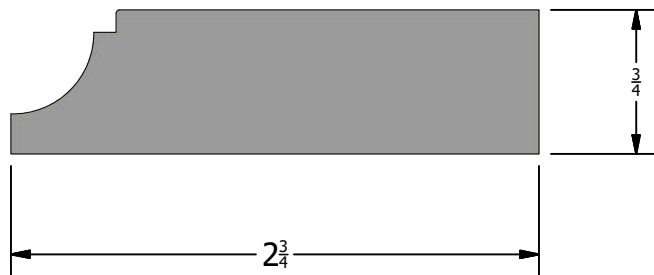
-164-

Back

Scale 1 : 1



HOMESTEAD
WOODWORKS



Description
Casing Base Board

Part Number
CB-39

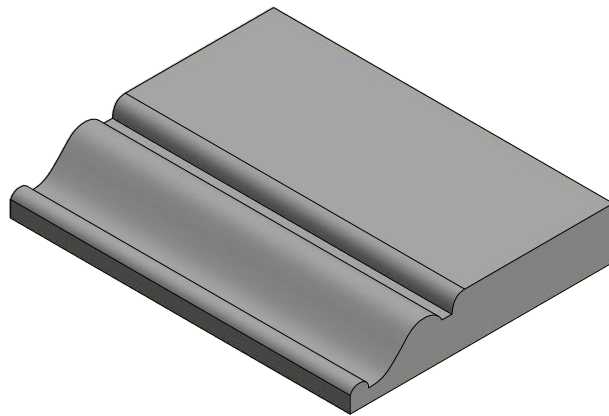
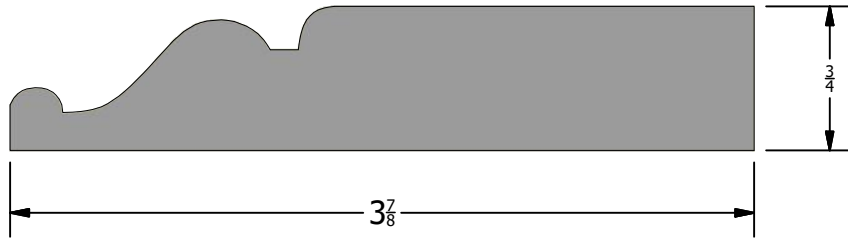
-165-

Back

Scale 1 : 1



HOMESTEAD
WOODWORKS



Description
Casing Base Board

Part Number
CB-40

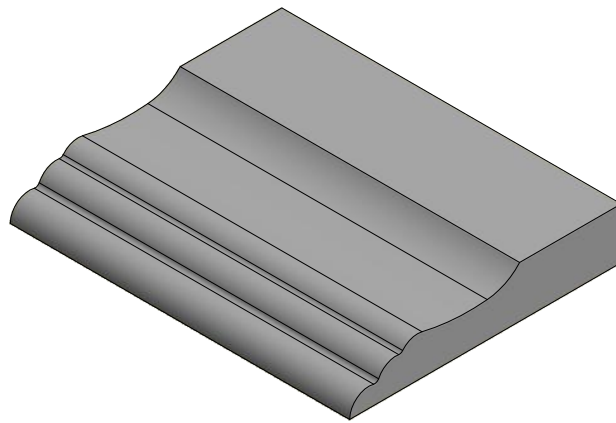
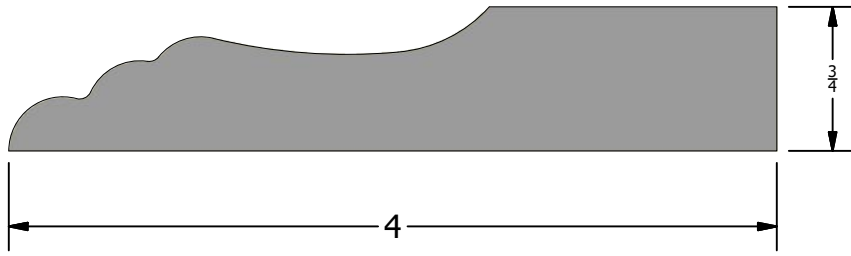
-166-


Back

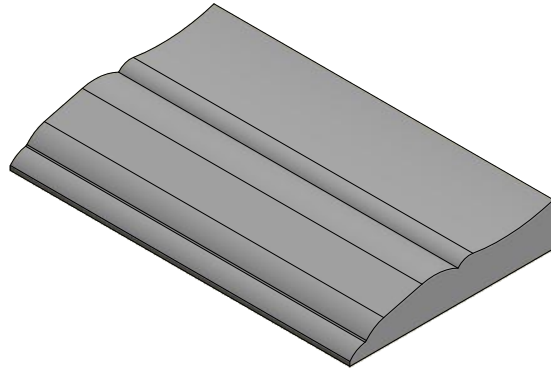
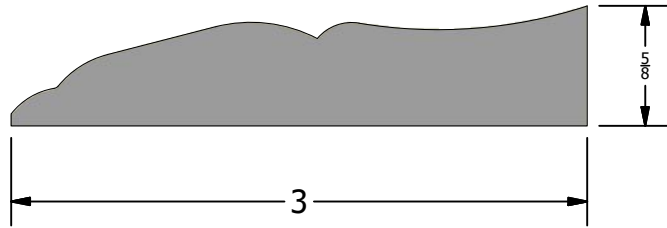
Scale 1 : 1



HOMESTEAD
WOODWORKS



Description Casing Base Board		Part Number CB-41	 HOMESTEAD WOODWORKS
-167-	Back	Scale 1 : 1	



Description
Casing Base Board

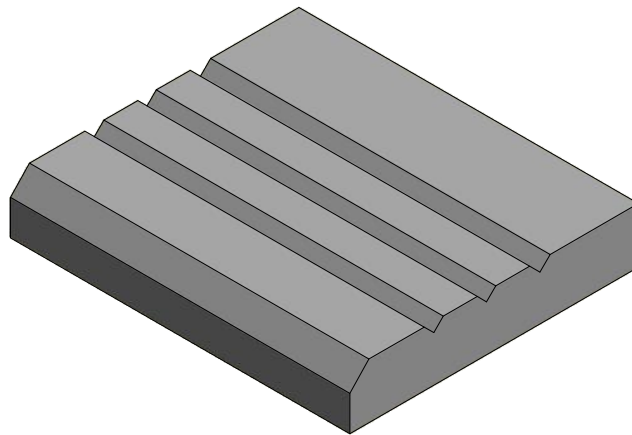
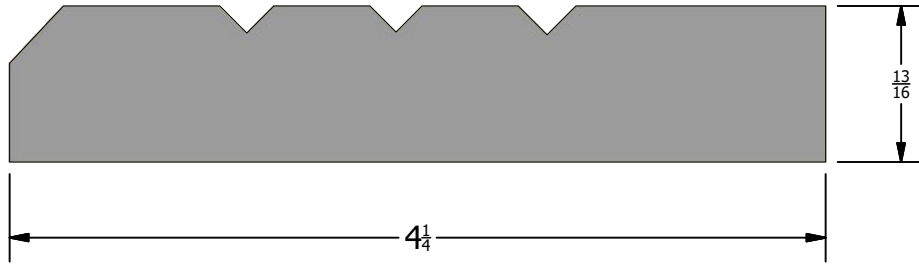
Part Number
CB-42



-168-

Back

Scale 1 : 1



Description
Casing Base Board

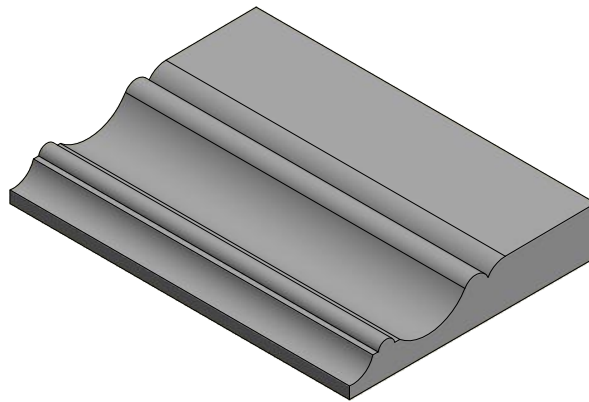
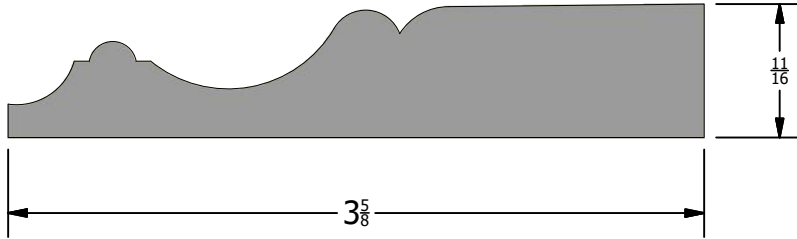
Part Number
CB-43

-169-

Back

Scale 1 : 1





Description
Casing Base Board

Part Number
CB-44

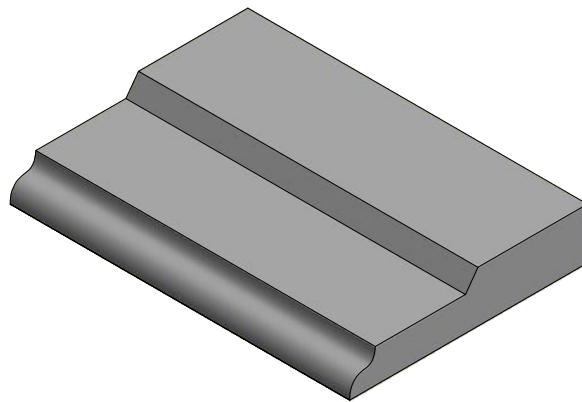
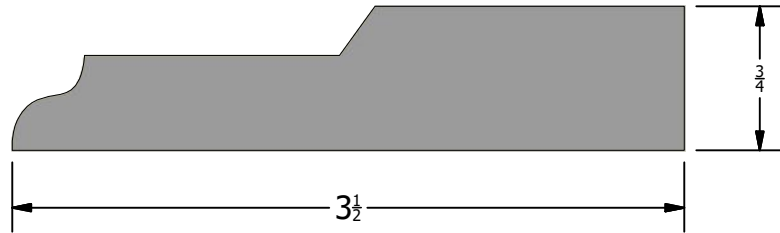
-170-

Back

Scale 1 : 1



HOMESTEAD
WOODWORKS



Description
Casing Base Board

Part Number
CB-45

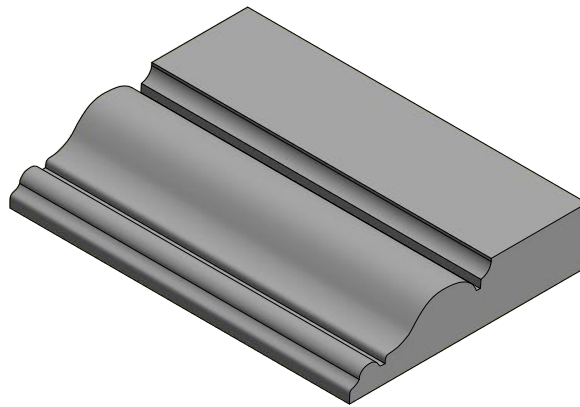
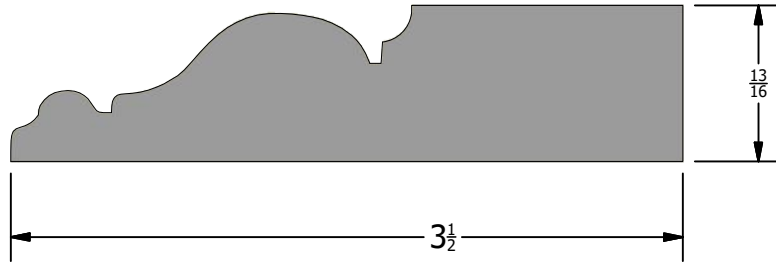
-171-

Back

Scale 1 : 1



HOMESTEAD
WOODWORKS



Description
Casing Base Board

Part Number
CB-46

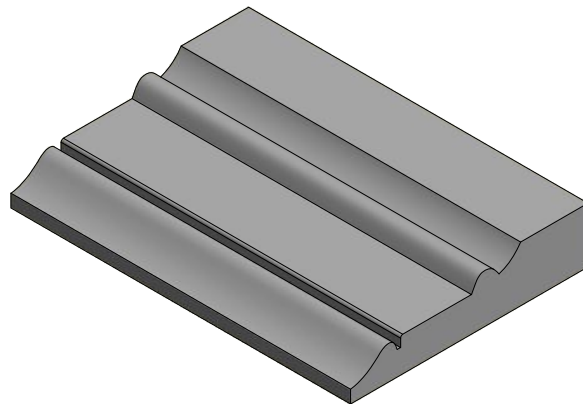
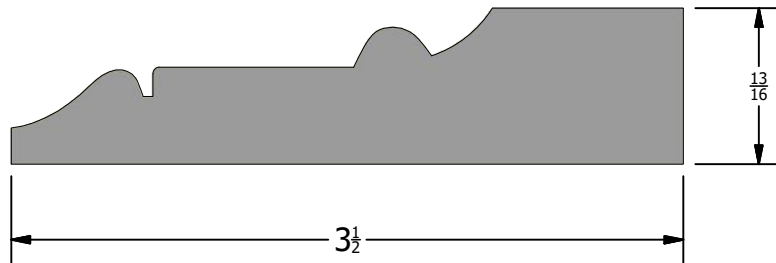
-172-

Back

Scale 1 : 1



HOMESTEAD
WOODWORKS



Description
Casing Base Board

Part Number
CB-47

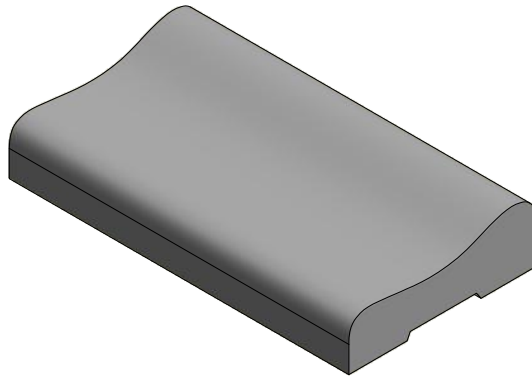
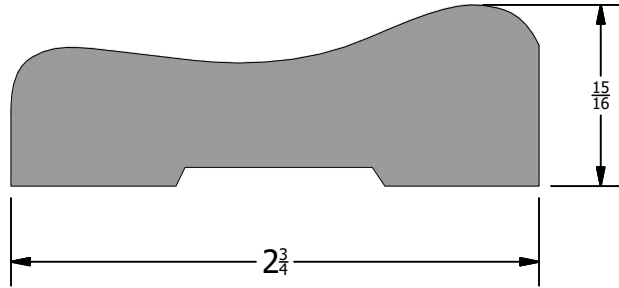
-173-

Back

Scale 1 : 1



HOMESTEAD
WOODWORKS



Description
Casing Base Board

Part Number
CB-48-A

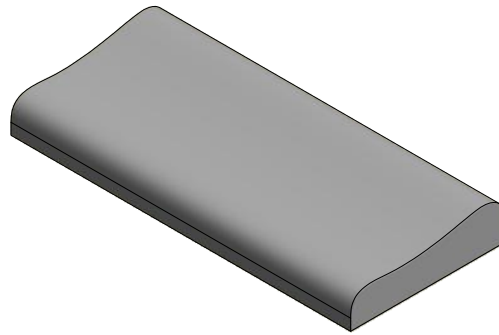
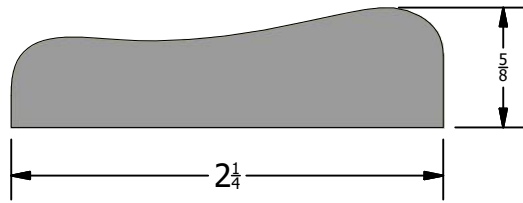
-174-

Back

Scale 1 : 1



HOMESTEAD
WOODWORKS



Description
Casing Base Board

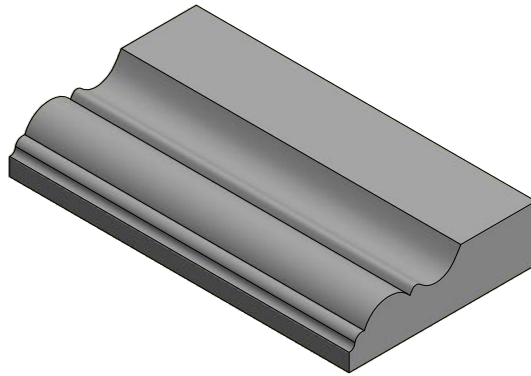
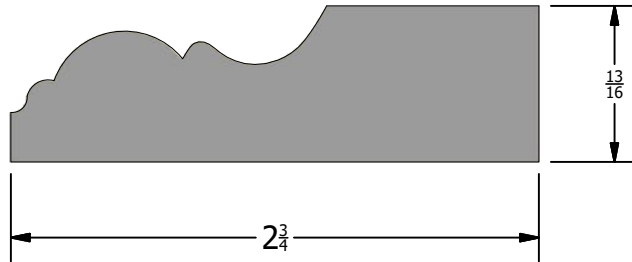
Part Number
CB-48-B



-175-

Back

Scale 1 : 1



Description
Casing Base Board

Part Number
CB-49

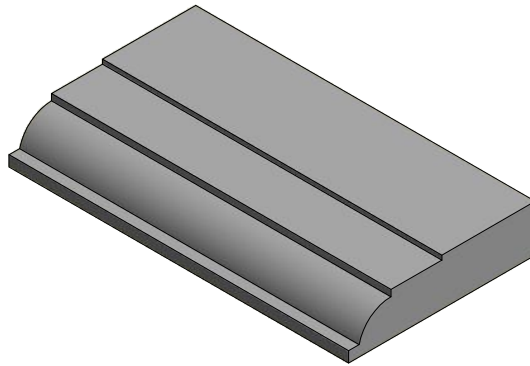
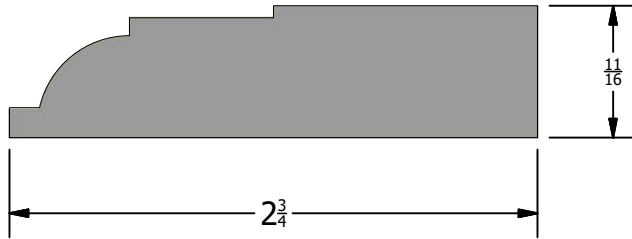
-176-

Back

Scale 1 : 1



HOMESTEAD
WOODWORKS



Description
Casing Base Board

Part Number
CB-50

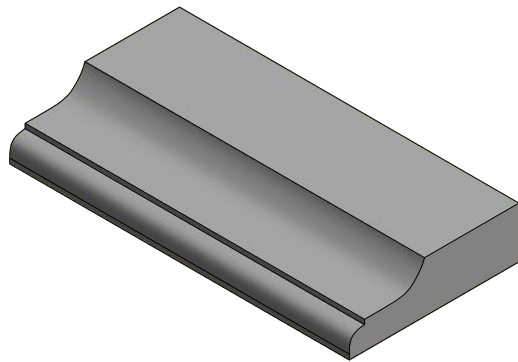
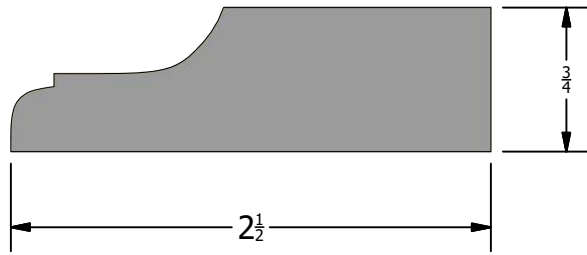
-177-

Back

Scale 1 : 1



HOMESTEAD
WOODWORKS



Description
Casing Base Board

Part Number
CB-51

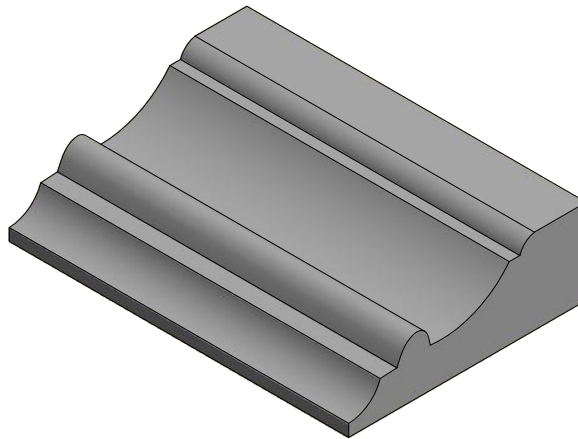
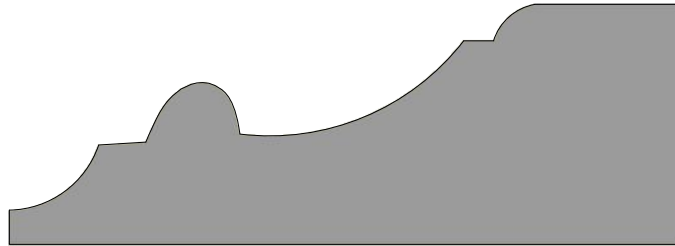
-178-

Back

Scale 1 : 1



HOMESTEAD
WOODWORKS



Description
Casing Base Board

Part Number
CB-52

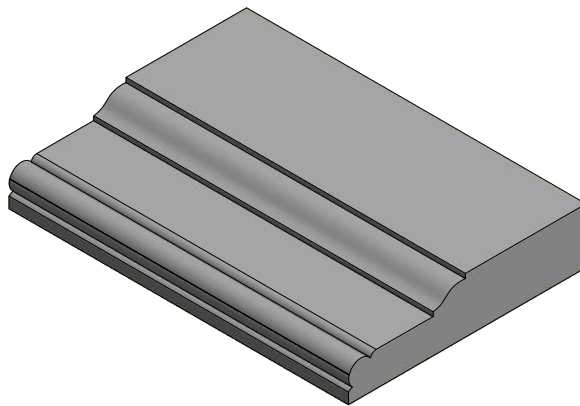
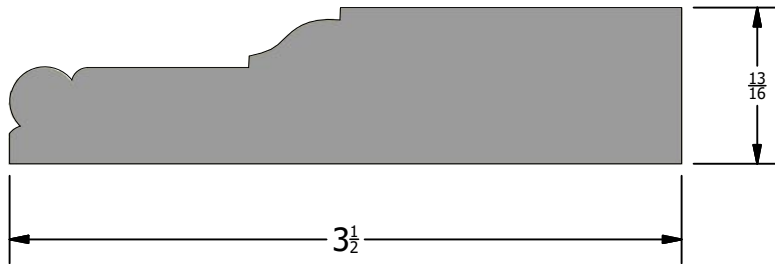
-179-


Back

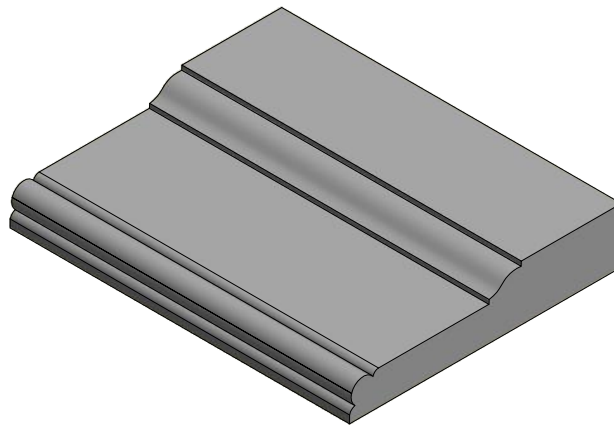
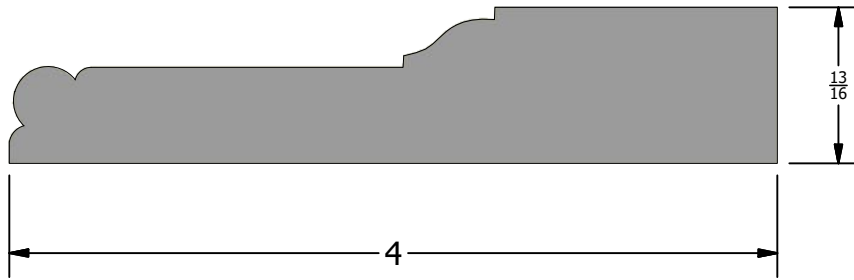
Scale 1 : 1



HOMESTEAD
WOODWORKS



Description Casing Base Board		Part Number CB-53-A	 HOMESTEAD WOODWORKS
-180-	Back	Scale 1 : 1	



Description
Casing Base Board

Part Number
CB-53-B

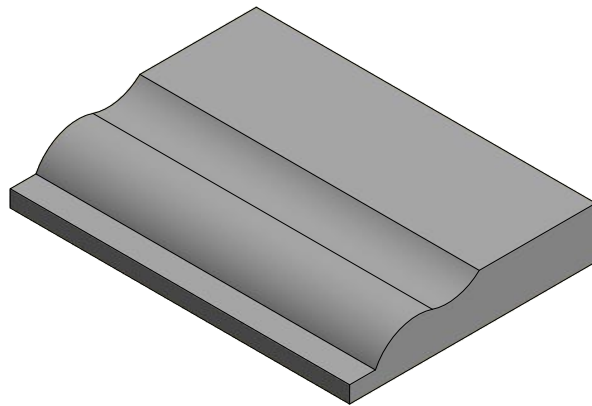
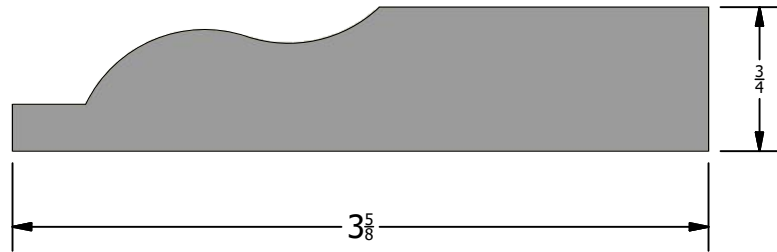
-181-

Back

Scale 1 : 1



HOMESTEAD
WOODWORKS



Description
Casing Base Board

Part Number
CB-54

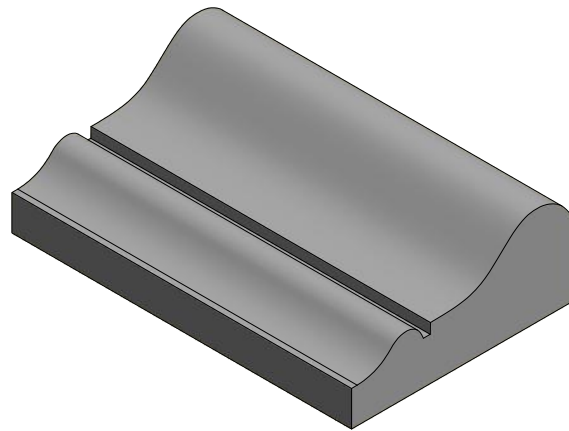
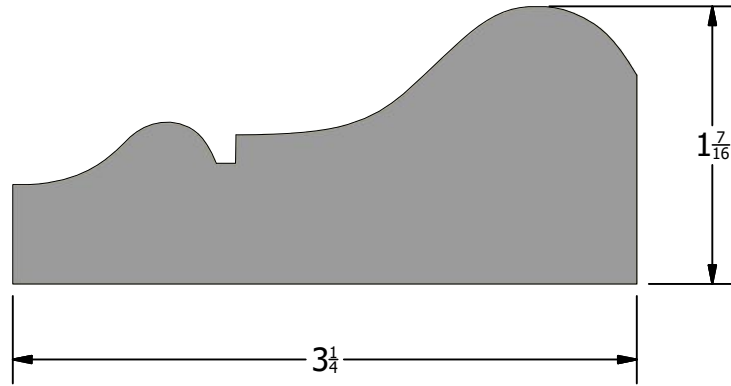
-182-

Back

Scale 1 : 1



HOMESTEAD
WOODWORKS



Description
Casing Base Board

Part Number
CB-55

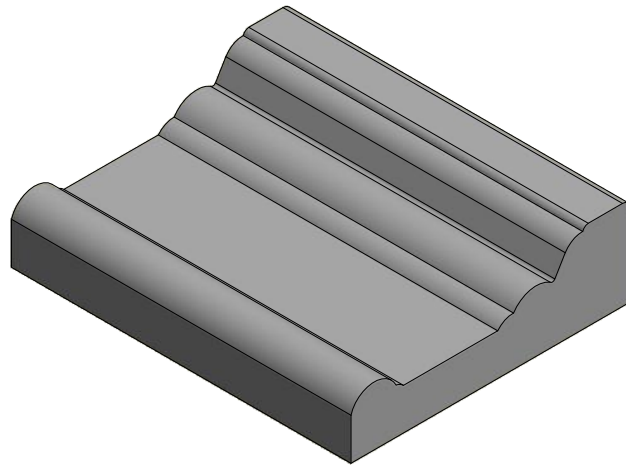
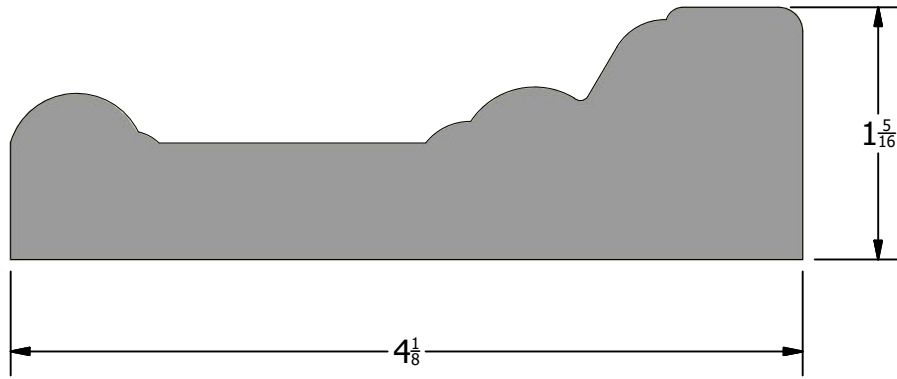
-183-

Back

Scale 1 : 1



HOMESTEAD
WOODWORKS



Description
Casing Base Board

Part Number
CB-56

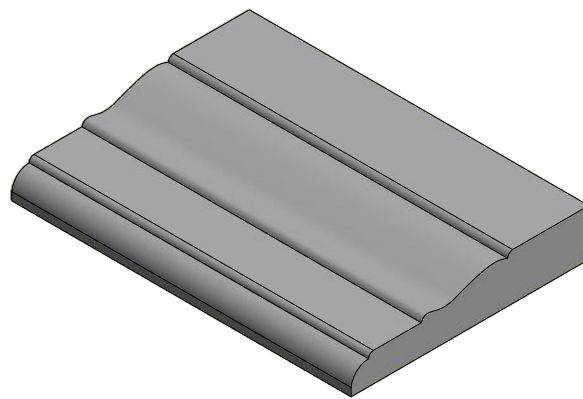
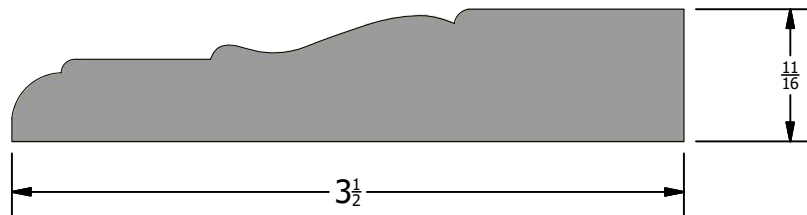
-184-

Back

Scale 1 : 1



HOMESTEAD
WOODWORKS



Description
Casing Base Board

Part Number
CB-57

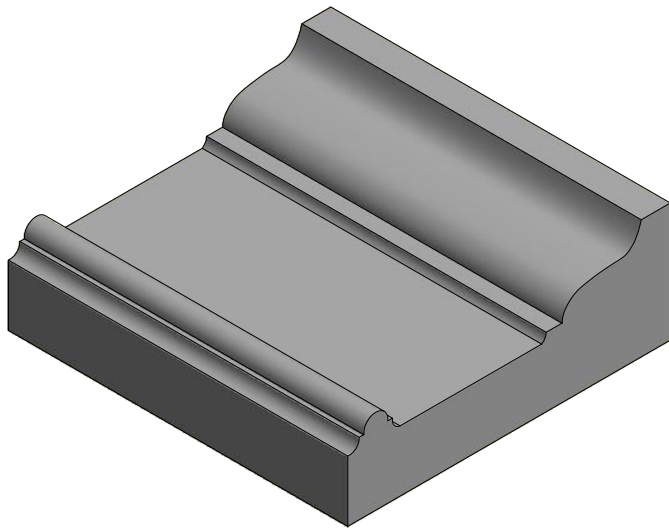
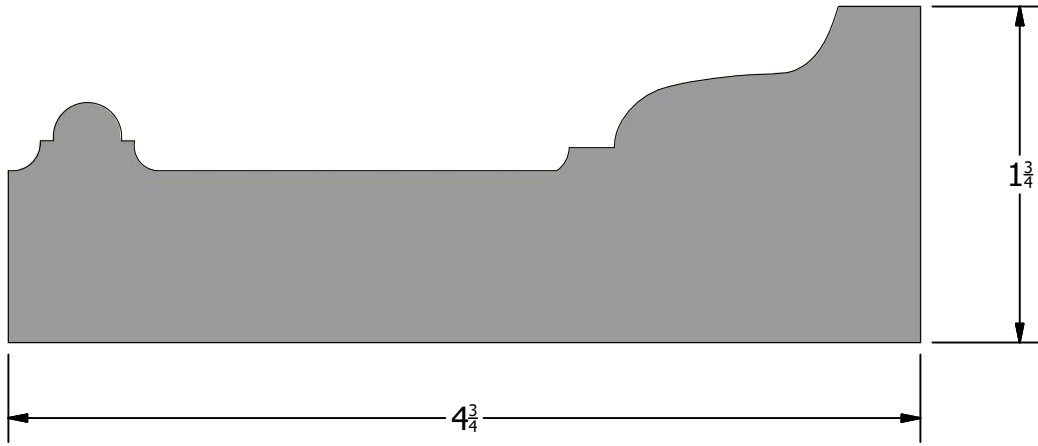
-185-

Back

Scale 1 : 1



HOMESTEAD
WOODWORKS



Description
Casing Base Board

Part Number
CB-58

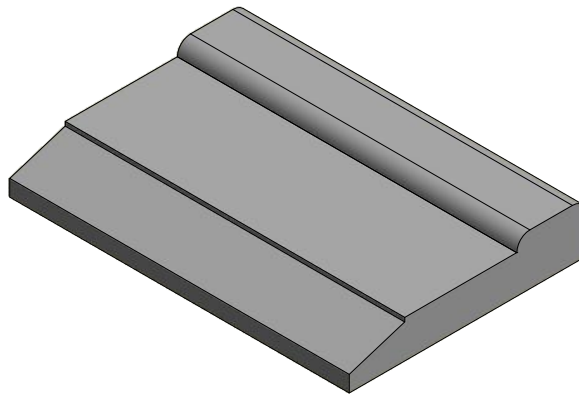
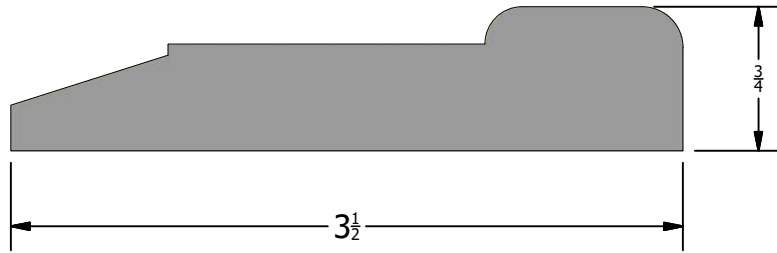
-186-

Back

Scale 1 : 1



HOMESTEAD
WOODWORKS



Description
Casing Base Board

Part Number
CB-59

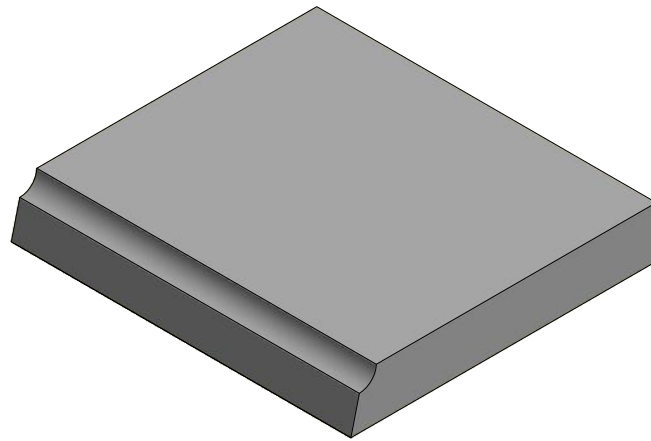
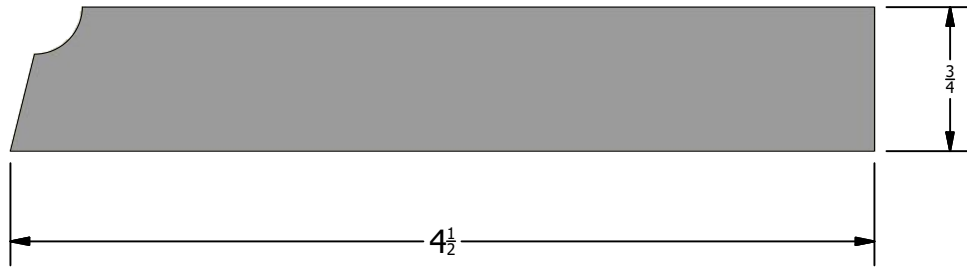
-187-

Back

Scale 1 : 1



HOMESTEAD
WOODWORKS



Description
Casing Base Board

Part Number
CB-60

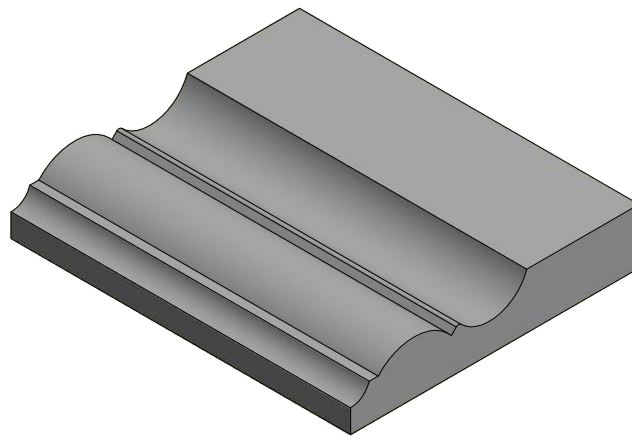
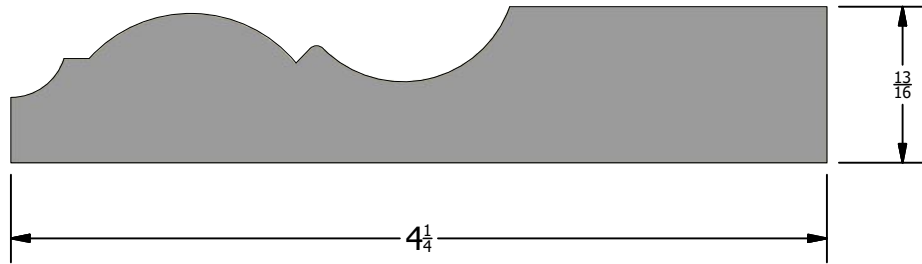
-188-

Back

Scale 1 : 1



HOMESTEAD
WOODWORKS



Description
Casing Base Board

Part Number
CB-61

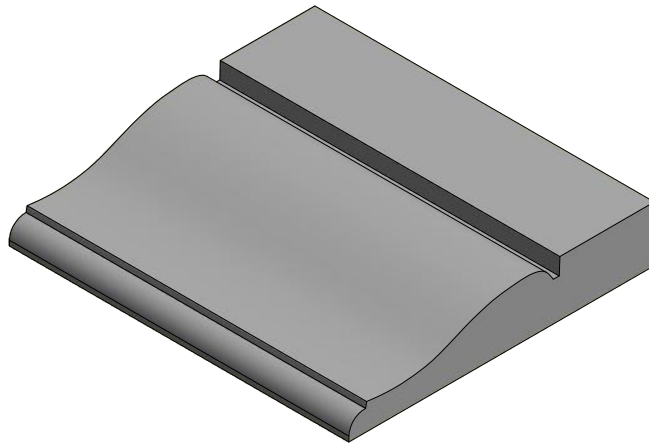
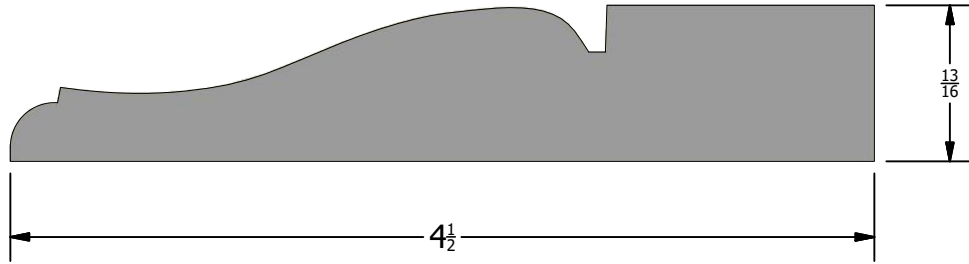
-189-

Back

Scale 1 : 1



HOMESTEAD
WOODWORKS



Description
Casing Base Board

Part Number
CB-62

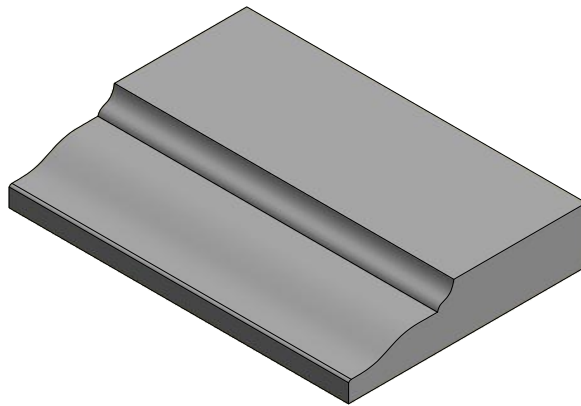
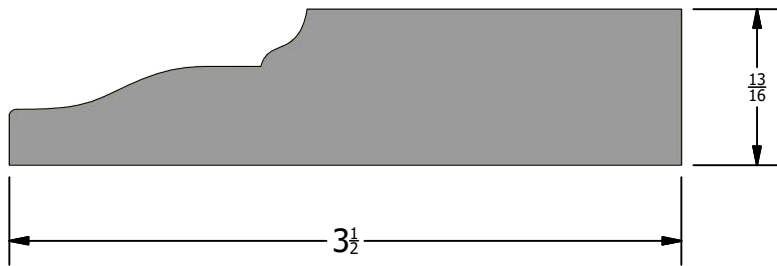
-190-

Back

Scale 1 : 1



HOMESTEAD
WOODWORKS



Description
Casing Base Board

Part Number
CB-63

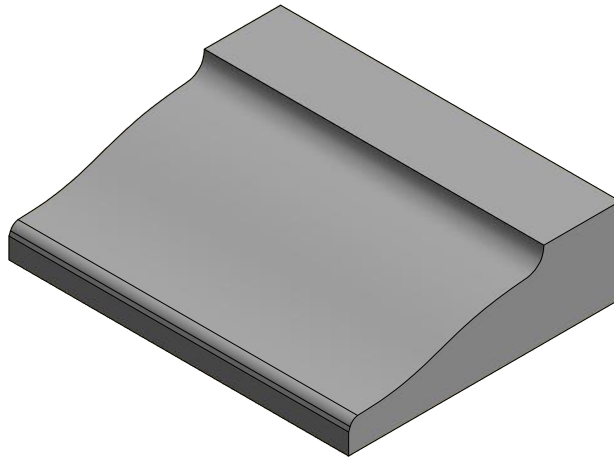
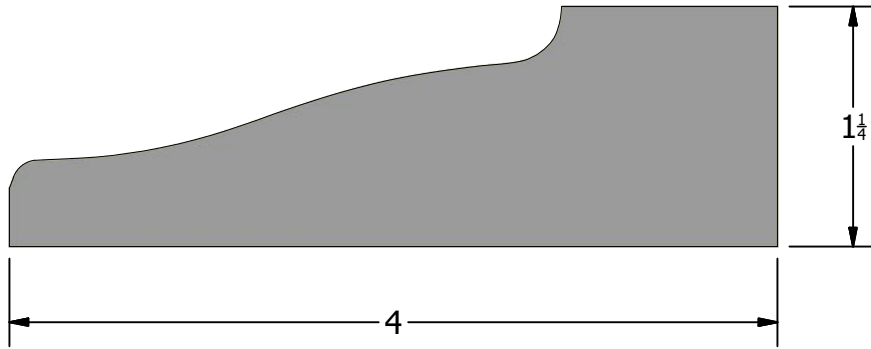
-191-

Back

Scale 1 : 1



HOMESTEAD
WOODWORKS



Description
Casing Base Board

Part Number
CB-64

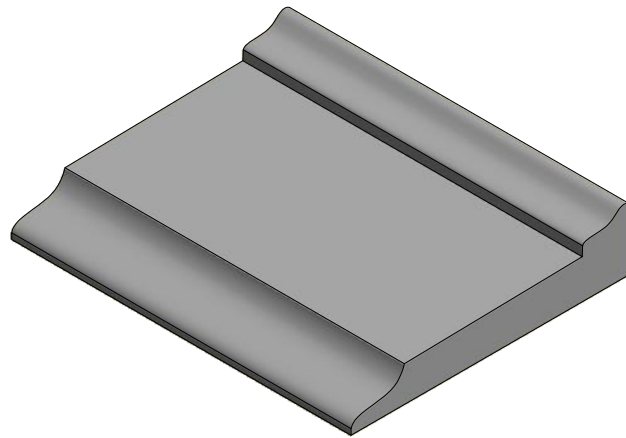
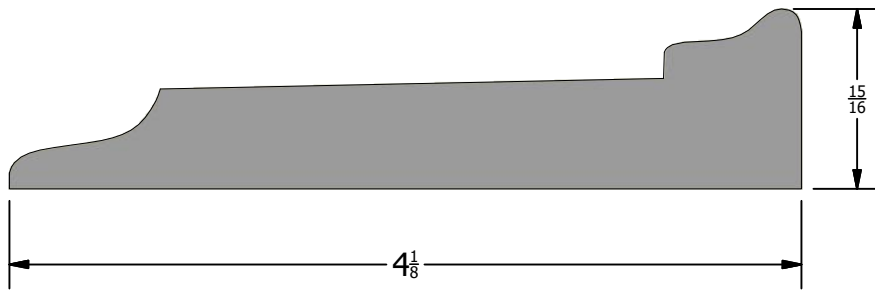
-192-

Back

Scale 1 : 1



HOMESTEAD
WOODWORKS



Description
Casing Base Board

Part Number
CB-65

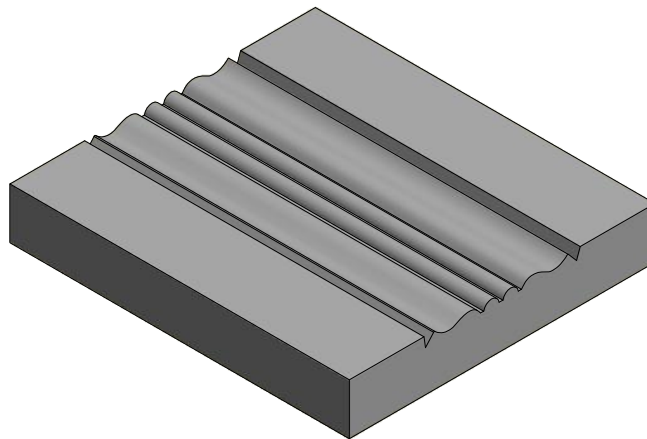
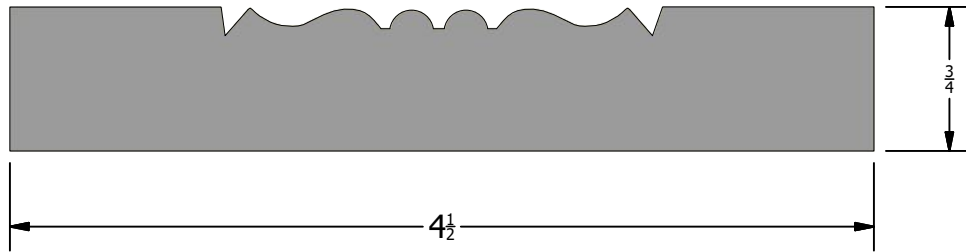
-193-

Back

Scale 1 : 1



HOMESTEAD
WOODWORKS



Description
Casing Base Board

Part Number
CB-67

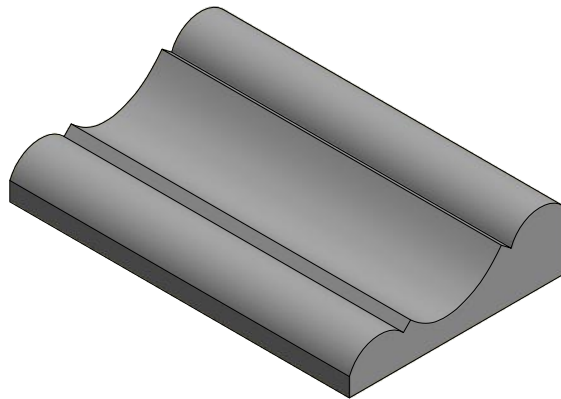
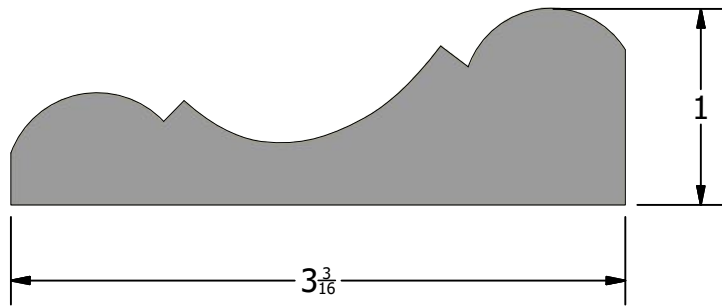
-194-

Back

Scale 1 : 1



HOMESTEAD
WOODWORKS



Description
Casing Base Board

Part Number
CB-68

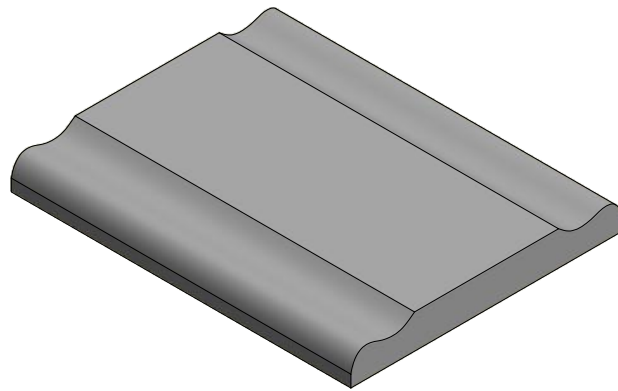
-195-

Back

Scale 1 : 1



HOMESTEAD
WOODWORKS



Description
Casing Base Board

Part Number
CB-69

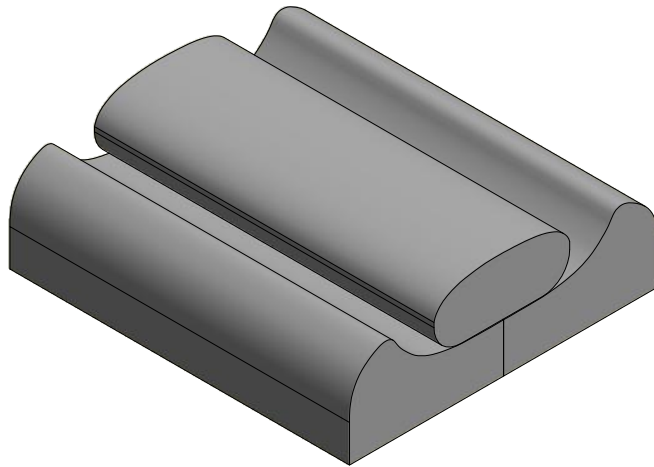
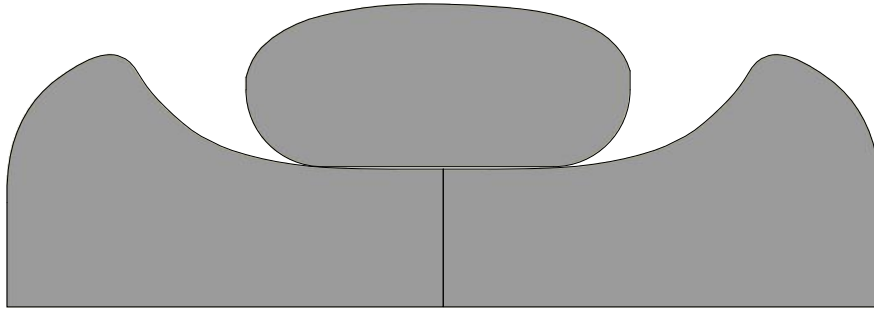
-196-

Back

Scale 1 : 1



HOMESTEAD
WOODWORKS



Description
Casing Base Board

Part Number
CB-70

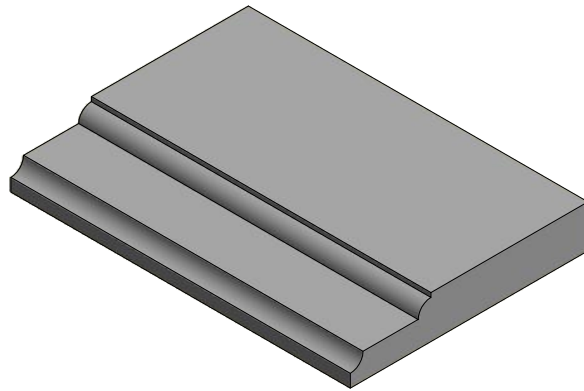
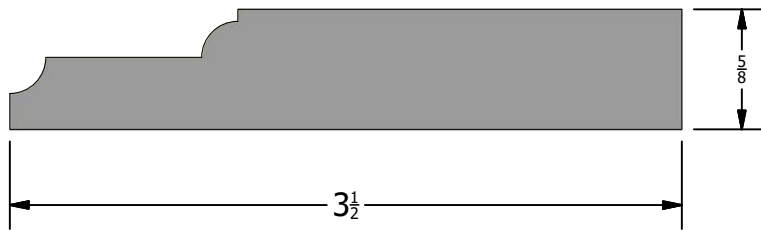
-197-

Back

Scale 1



HOMESTEAD
WOODWORKS



Description
Casing Base Board

Part Number
CB-71

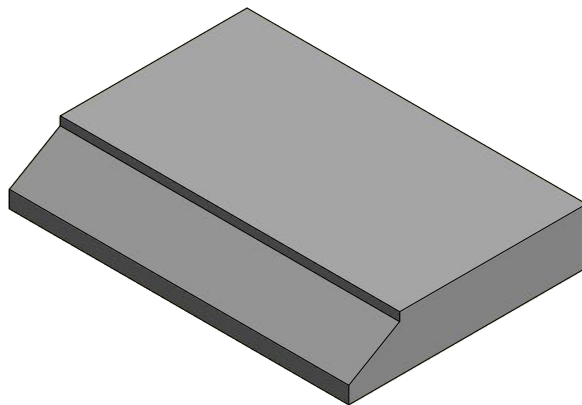
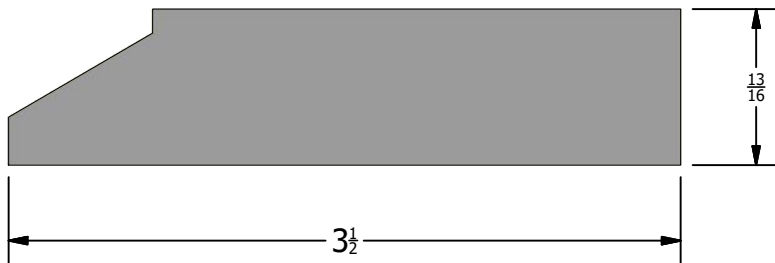
-198-

Back

Scale 1 : 1



HOMESTEAD
WOODWORKS



Description
Casing Base Board

Part Number
CB-72-A

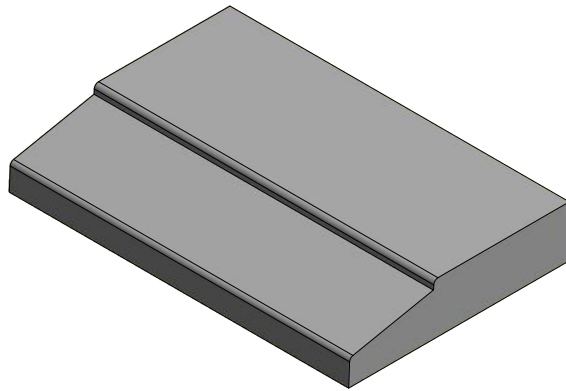
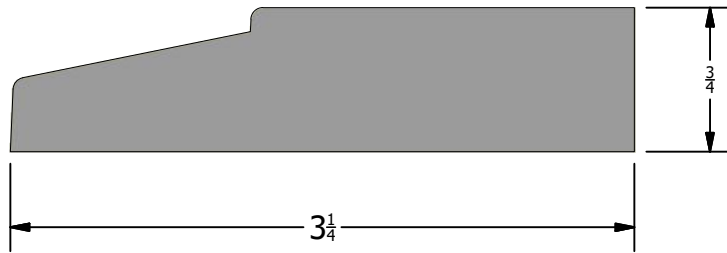
-199-

Back

Scale 1 : 1



HOMESTEAD
WOODWORKS



Description
Casing Base Board

Part Number
CB-72-B

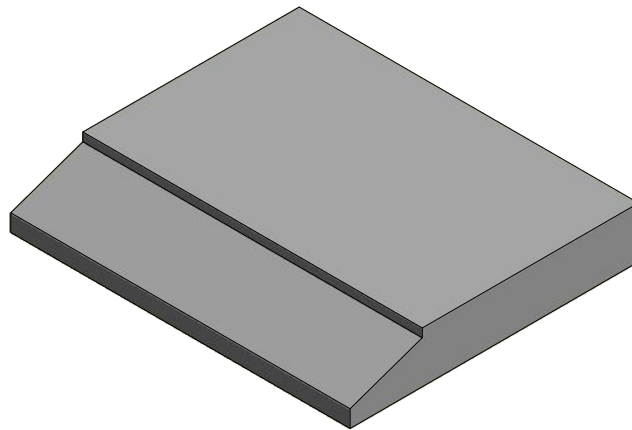
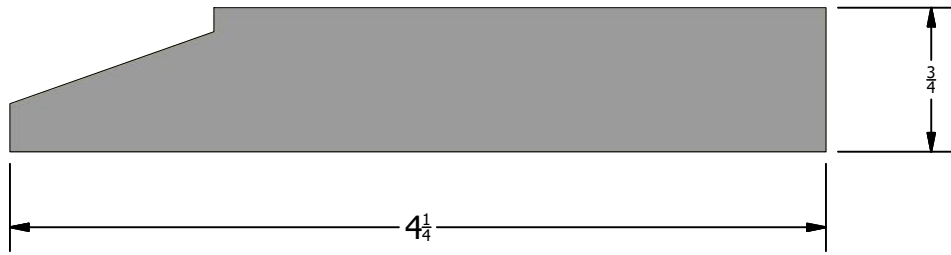
-200-

Back

Scale 1 : 1



HOMESTEAD
WOODWORKS



Description
Casing Base Board

Part Number
CB-72-C

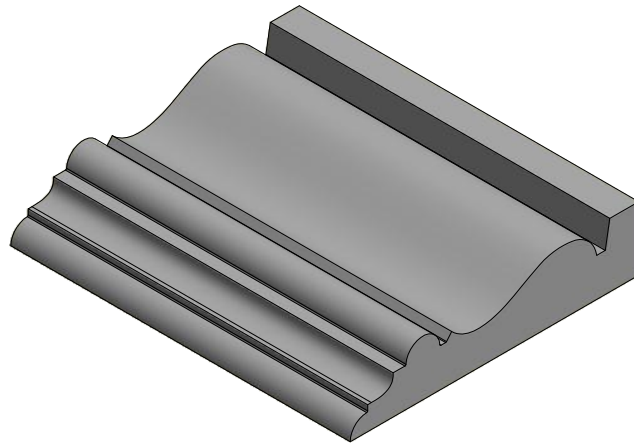
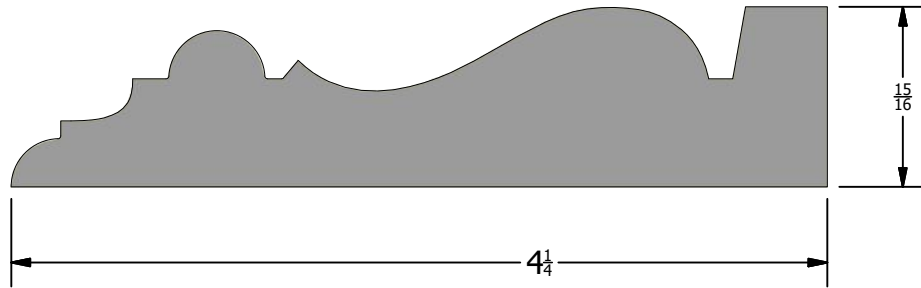
-201-

Back

Scale 1 : 1



HOMESTEAD
WOODWORKS



Description
Casing Base Board

Part Number
CB-73

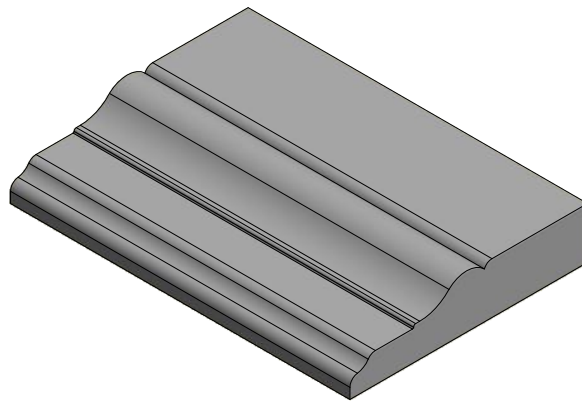
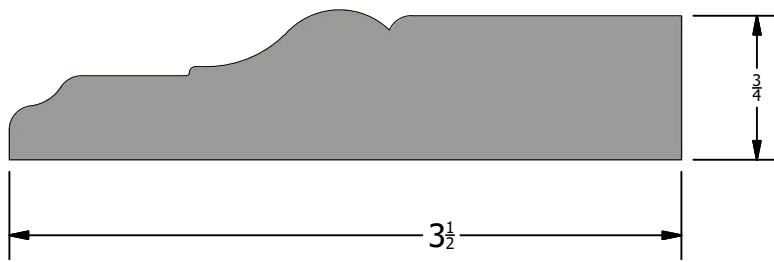
-202-

Back

Scale 1 : 1



HOMESTEAD
WOODWORKS



Description
Casing Base Board

Part Number
CB-74

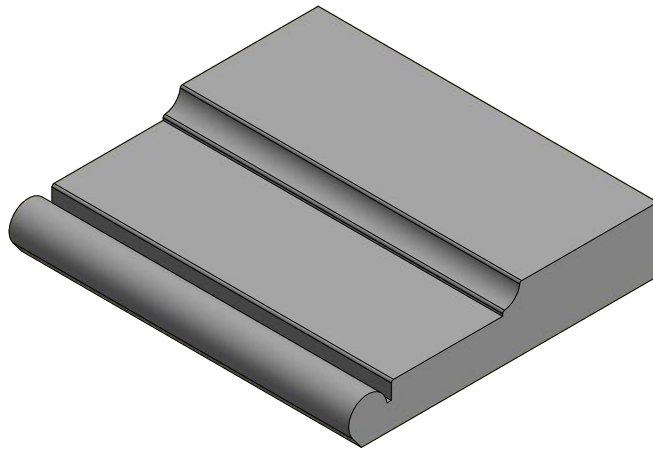
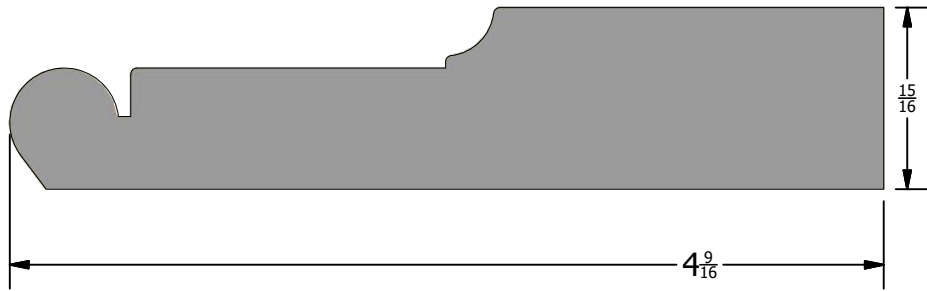
-203-

Back

Scale 1 : 1



HOMESTEAD
WOODWORKS



Description
Casing Base Board

Part Number
CB-75

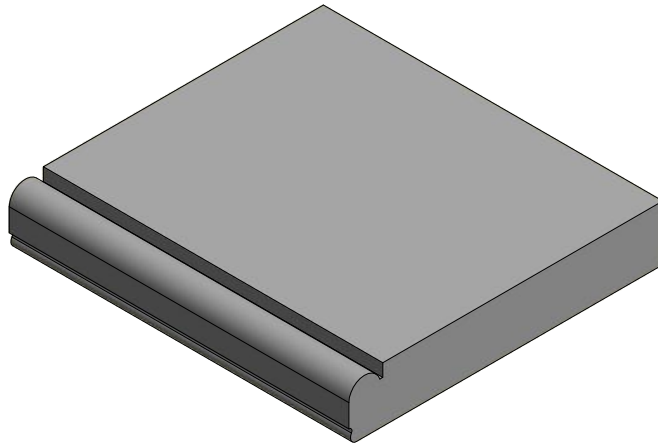
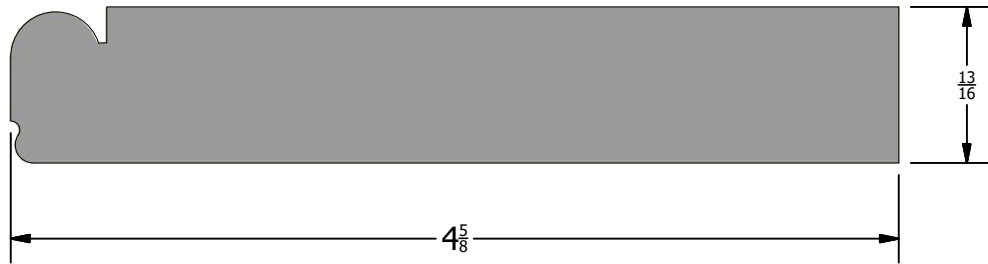
-204-

Back

Scale 1 : 1



HOMESTEAD
WOODWORKS



Description
Casing Base Board

Part Number
CB-76

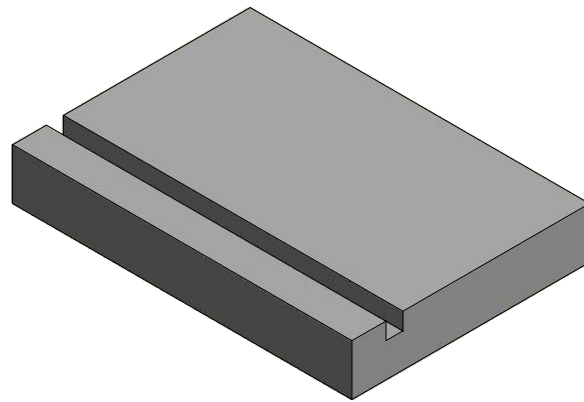
-205-


Back

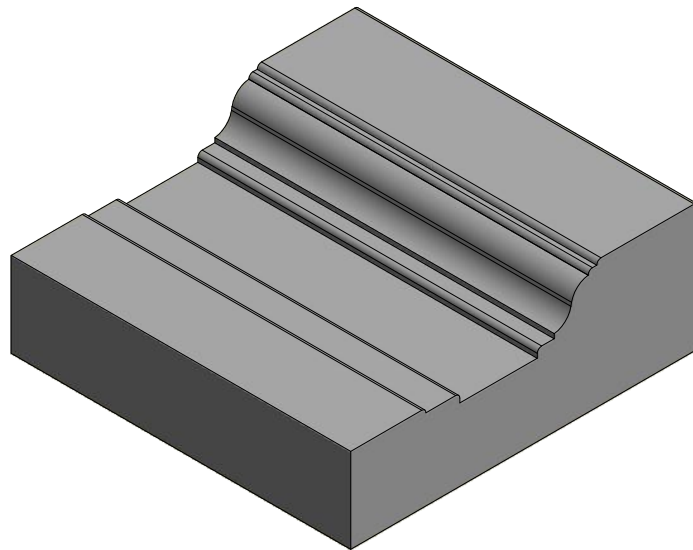
Scale 1 : 1



HOMESTEAD
WOODWORKS



Description Casing Base Board		Part Number CB-77	 HOMESTEAD WOODWORKS
-206-	Back	Scale 1 : 1	



Description
Casing Base Board

Part Number
CB-78

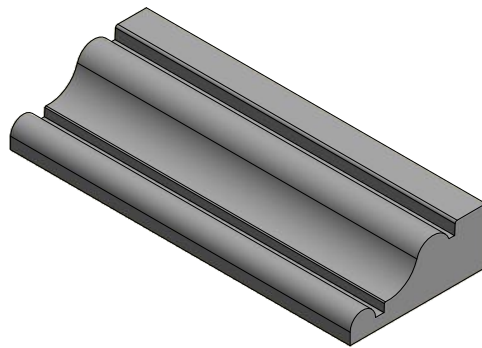
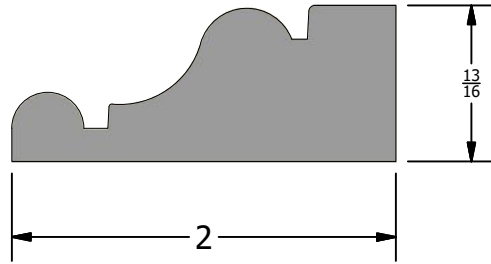
-207-

Back

Scale 1 : 1



HOMESTEAD
WOODWORKS



Description
Casing Base Board

Part Number
CB-79

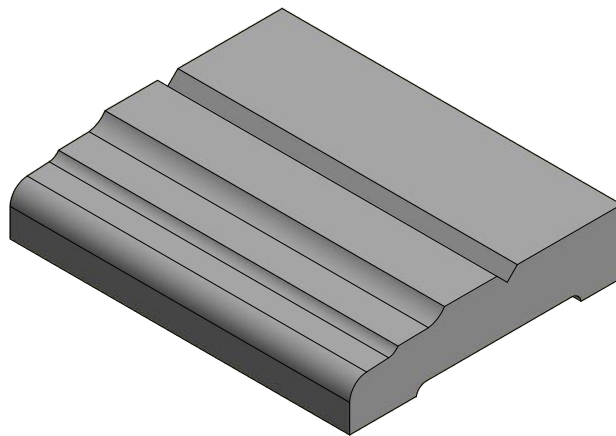
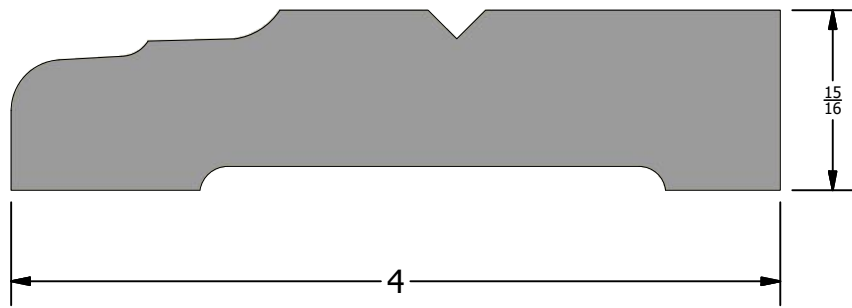
-208-

Back

Scale 1 : 1



HOMESTEAD
WOODWORKS



Description
Casing Base Board

Part Number
CB-80

-209-

Back

Scale 1 : 1



HOMESTEAD
WOODWORKS

Description

Part Number

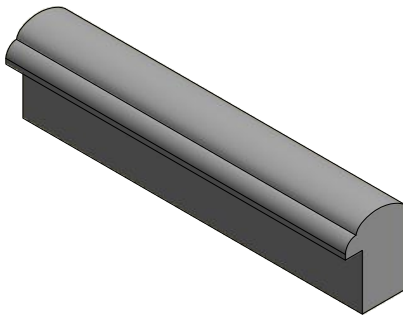
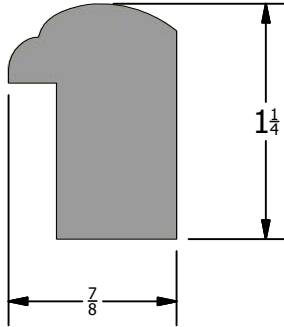
-210-

Back

Scale



HOMESTEAD
WOODWORKS



Description
Back Band

Part Number
BB-01

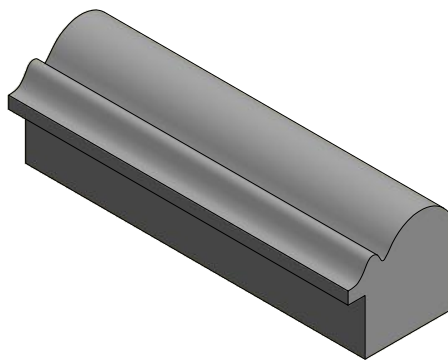
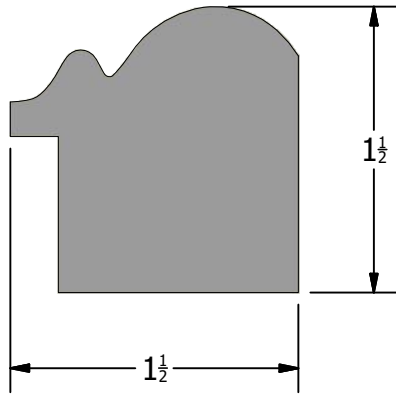
-211-

Back

Scale 1 : 1



HOMESTEAD
WOODWORKS



Description
Back Band

Part Number
BB-02

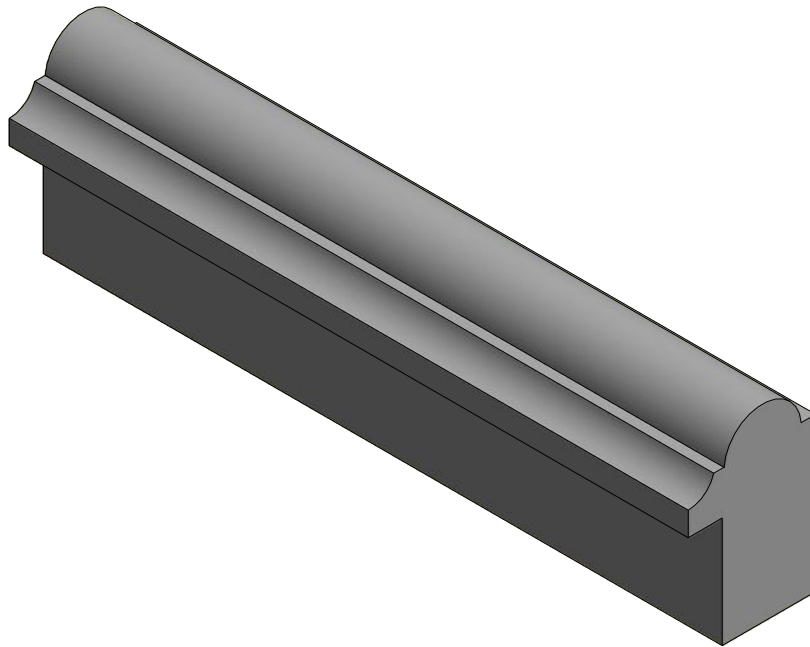
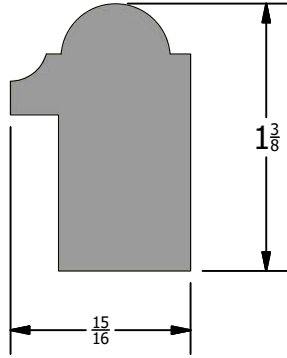
-212-


Back

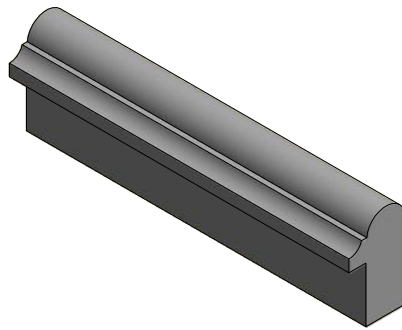
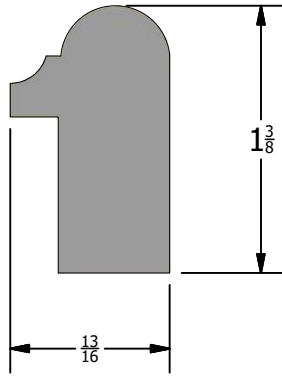
Scale 1 : 1



HOMESTEAD
WOODWORKS



Description Back Band		Part Number BB-03-A	 HOMESTEAD WOODWORKS
-213-	Back	Scale 1 : 1	



Description
Back Band

Part Number
BB-03-B

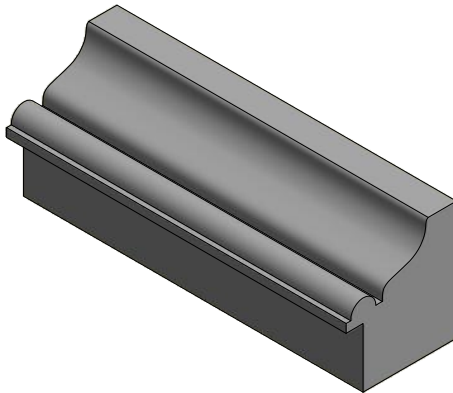
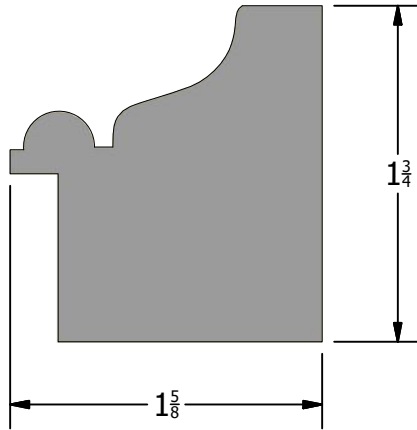
-214-

Back

Scale 1 : 1



HOMESTEAD
WOODWORKS



Description
Back Band

Part Number
BB-04

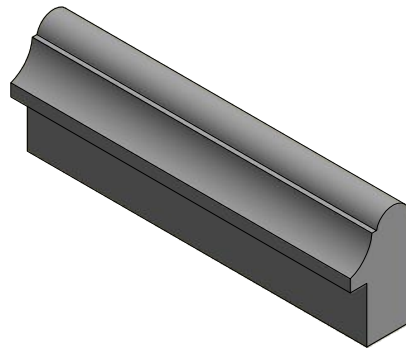
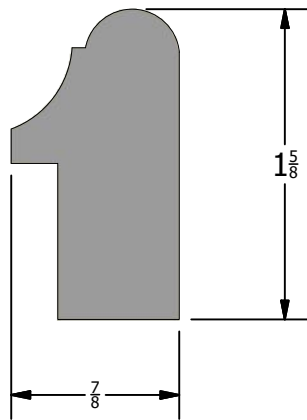
-215-

Back

Scale 1 : 1



HOMESTEAD
WOODWORKS



Description
Back Band

Part Number
BB-05

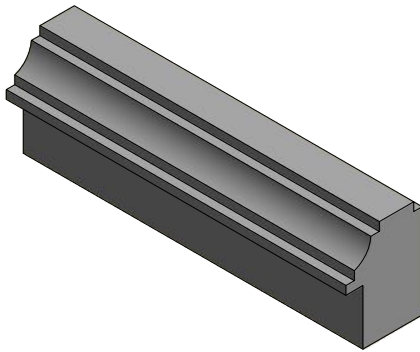
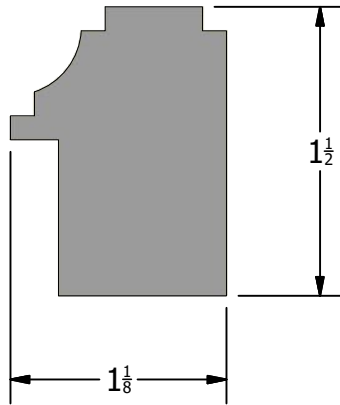
-216-

Back

Scale 1 : 1



HOMESTEAD
WOODWORKS



Description
Back Band

Part Number
BB-06

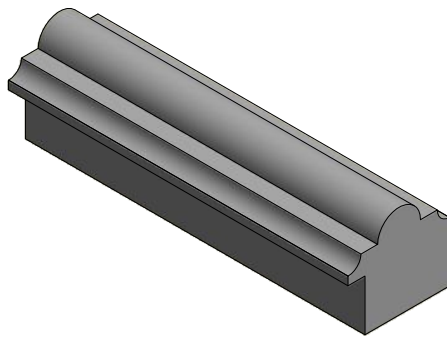
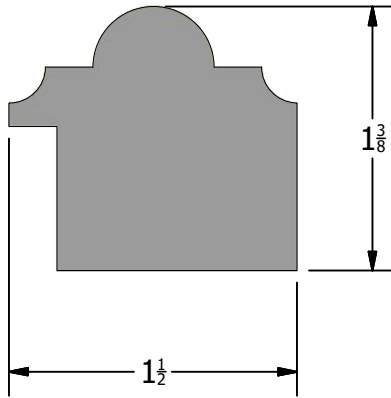
-217-


Back

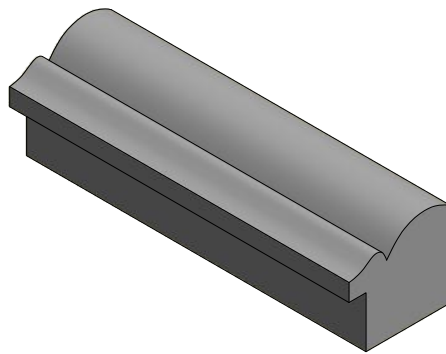
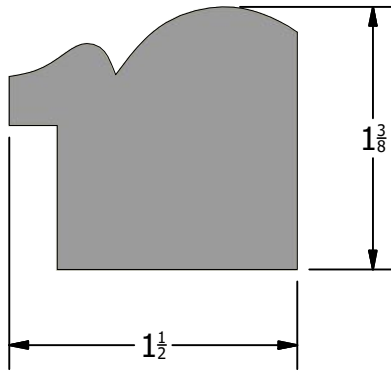
Scale 1 : 1



HOMESTEAD
WOODWORKS



Description Back Band		Part Number BB-07	 HOMESTEAD WOODWORKS
-218-	Back	Scale 1 : 1	



Description
Back Band

Part Number
BB-08

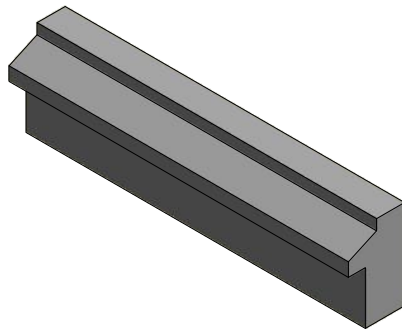
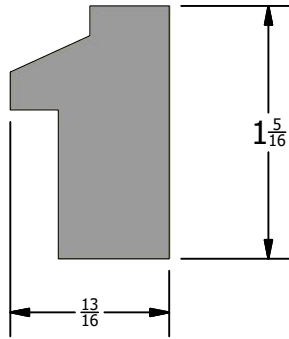
-219-

Back

Scale 1 : 1



HOMESTEAD
WOODWORKS



Description
Back Band

Part Number
BB-09

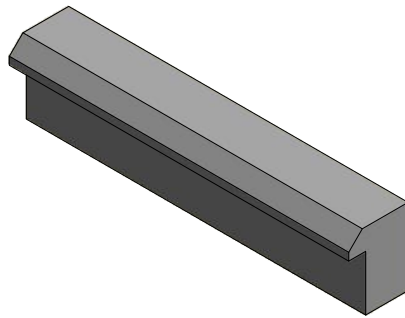
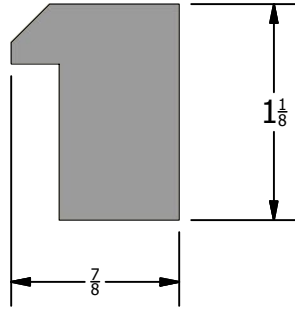
-220-

Back

Scale 1 : 1



HOMESTEAD
WOODWORKS



Description
Back Band

Part Number
BB-10

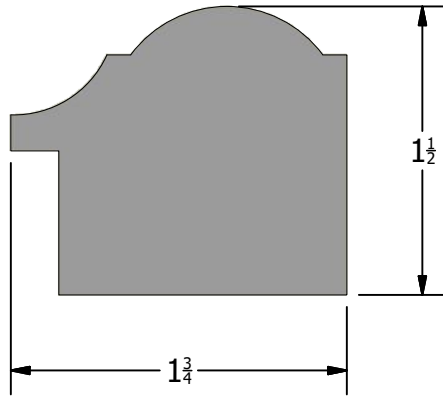
-221-

Back

Scale 1 : 1



HOMESTEAD
WOODWORKS



Description
Back Band

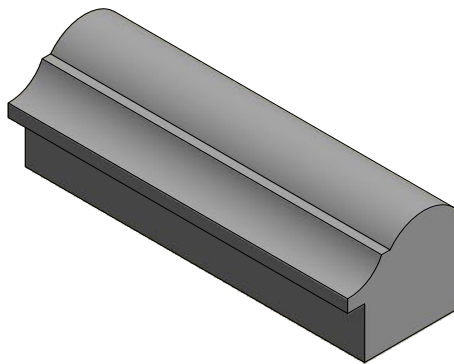
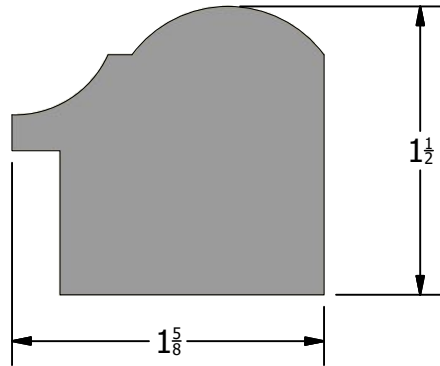
Part Number
BB-11-A

-222-

Back

Scale 1 : 1





Description
Back Band

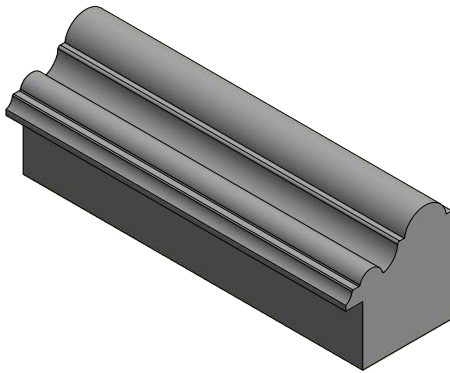
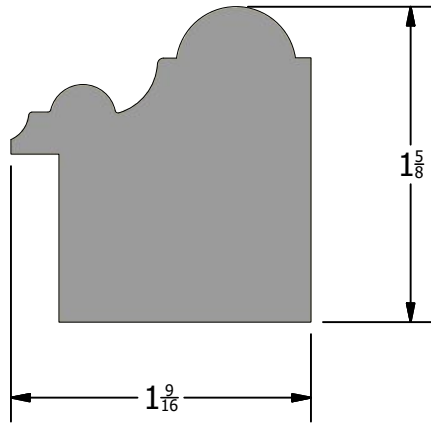
Part Number
BB-11-B



-223-

Back

Scale 1 : 1



Description
Back Band

Part Number
BB-12

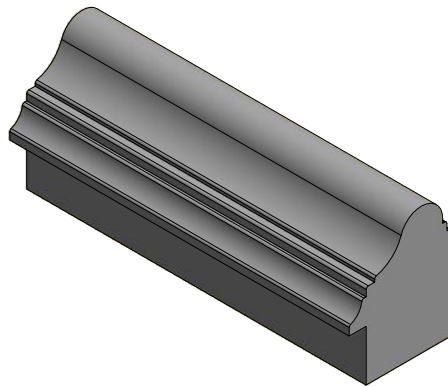
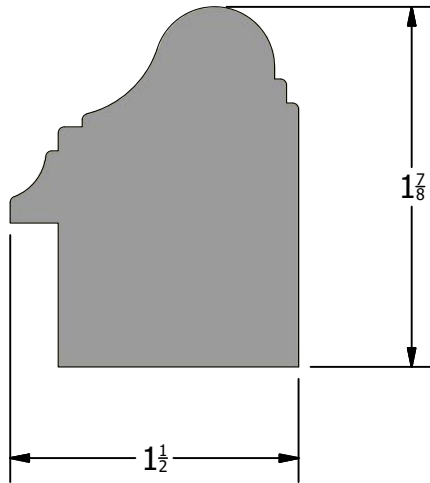
-224-

Back

Scale 1 : 1



HOMESTEAD
WOODWORKS



Description
Back Band

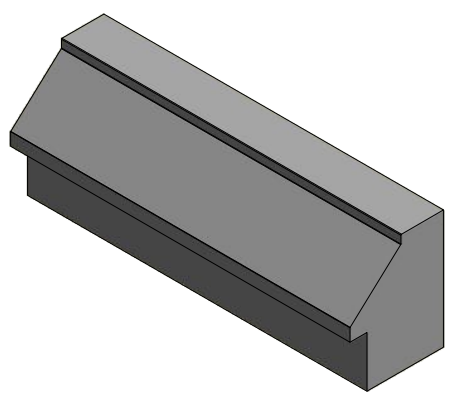
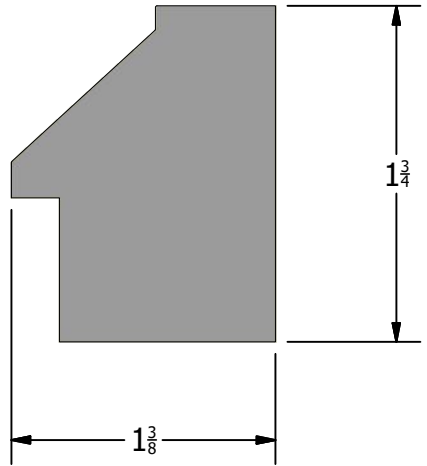
Part Number
BB-13

-225-

Back

Scale 1 : 1

HOMESTEAD
WOODWORKS



Description
Back Band

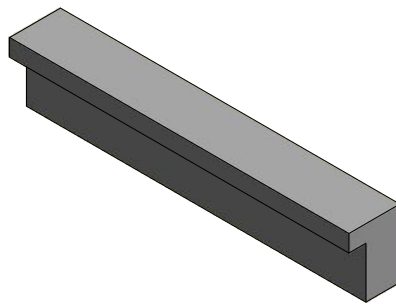
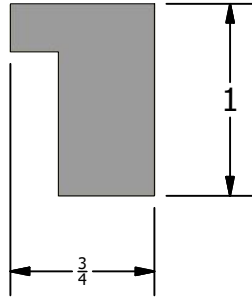
Part Number
BB-14



-226-

Back

Scale 1 : 1



Description
Back Band

Part Number
BB-15



-227-

Back

Scale 1 : 1

Description

Part Number

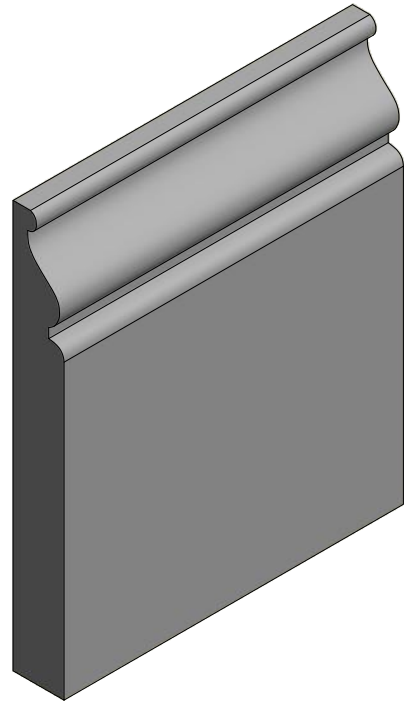
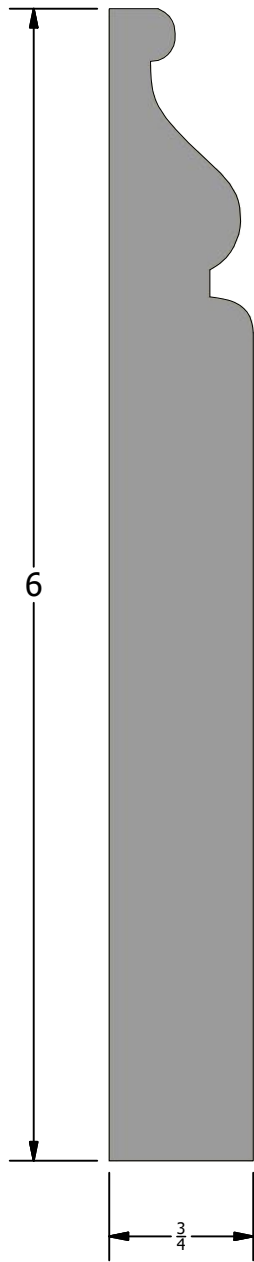
-228-

Back

Scale



HOMESTEAD
WOODWORKS



Description
Base Board

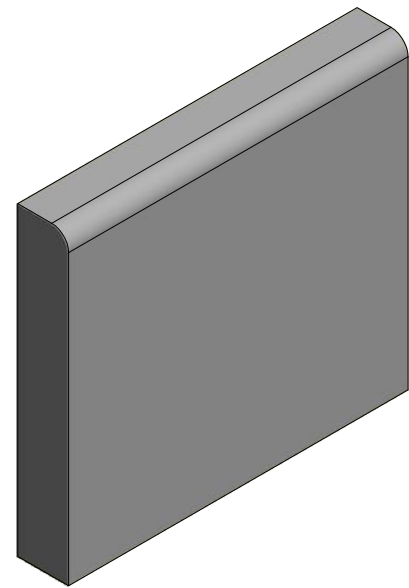
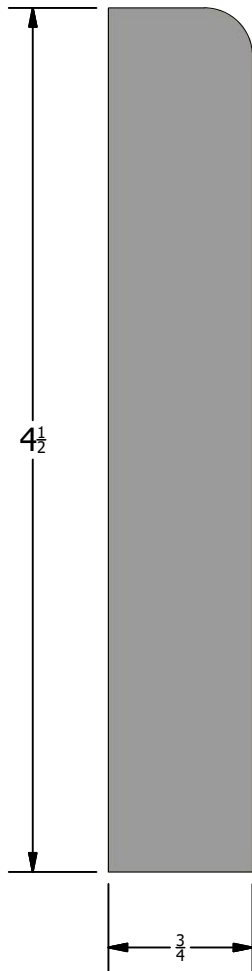
Part Number
Base-01

-229-

Back

Scale 1 : 1

HOMESTEAD
WOODWORKS



Description
Base Board

Part Number
Base-02

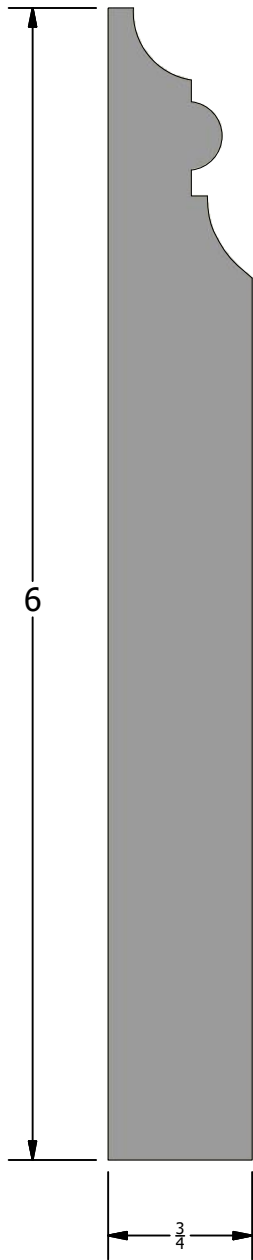
-230-

Back

Scale 1 : 1



HOMESTEAD
WOODWORKS



Description
Base Board

Part Number
Base-03

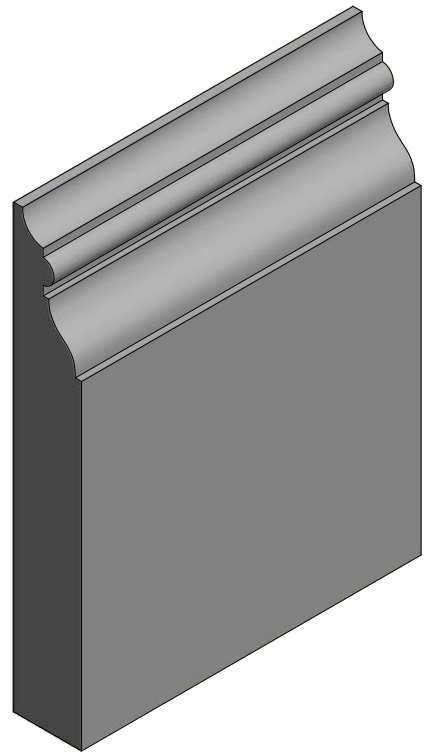
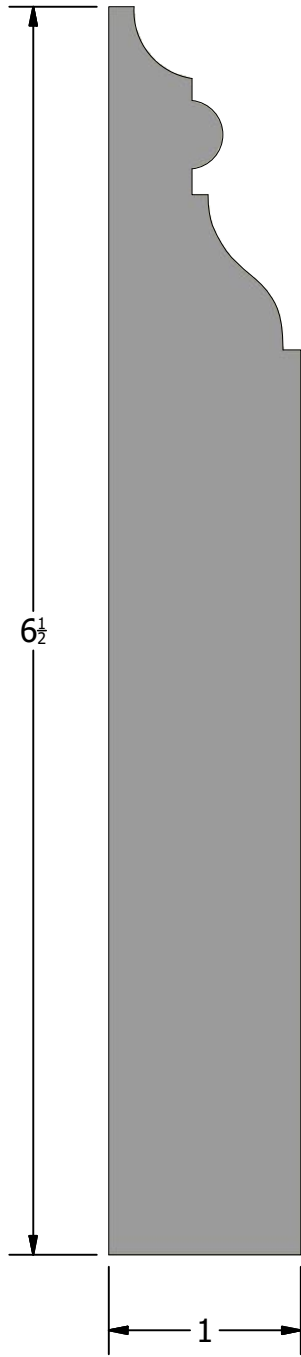
-231-

Back

Scale 1 : 1



HOMESTEAD
WOODWORKS



Description
Base Board

Part Number
Base-04

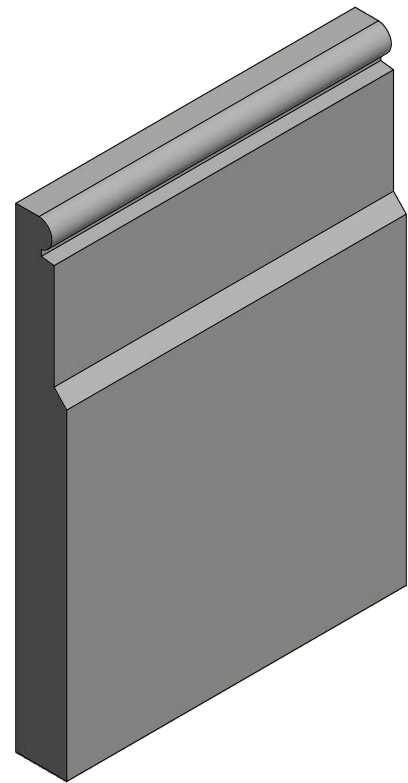
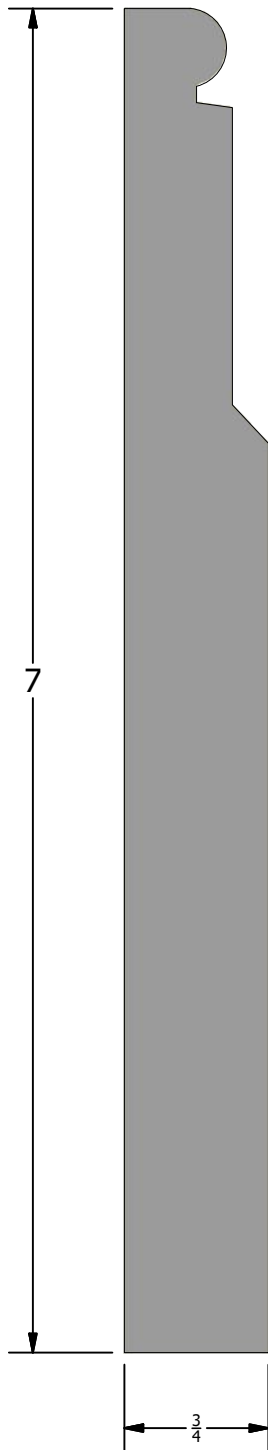
-232-

Back

Scale 1 : 1



HOMESTEAD
WOODWORKS



Description
Base Board

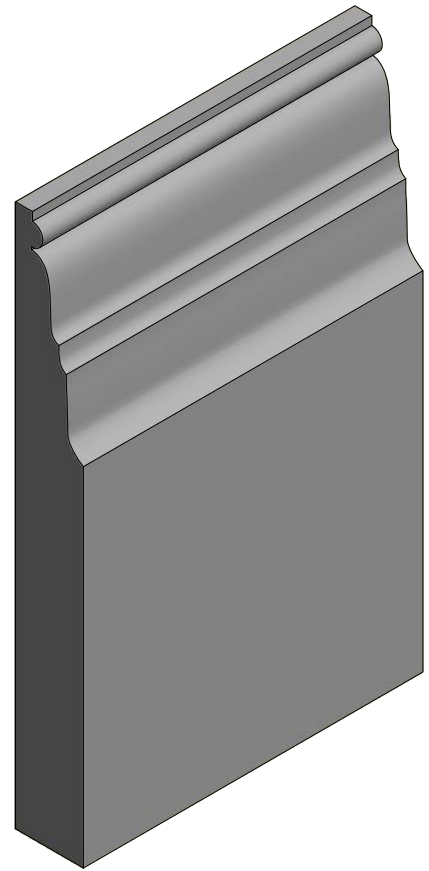
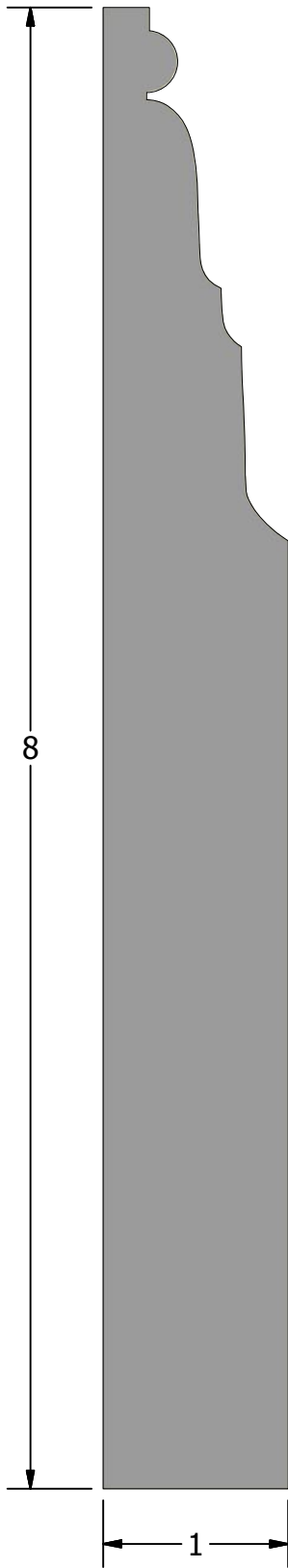
Part Number
Base-05

-233-

Back

Scale 1 : 1

HOMESTEAD
WOODWORKS



Description
Base Board

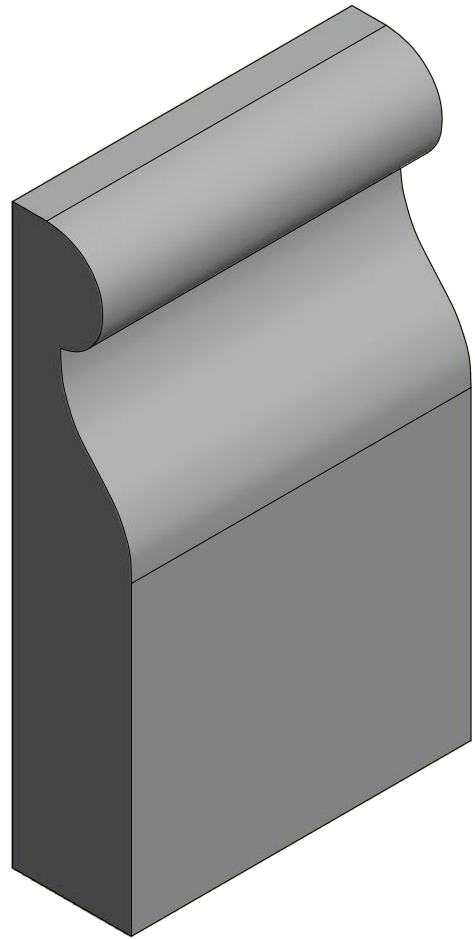
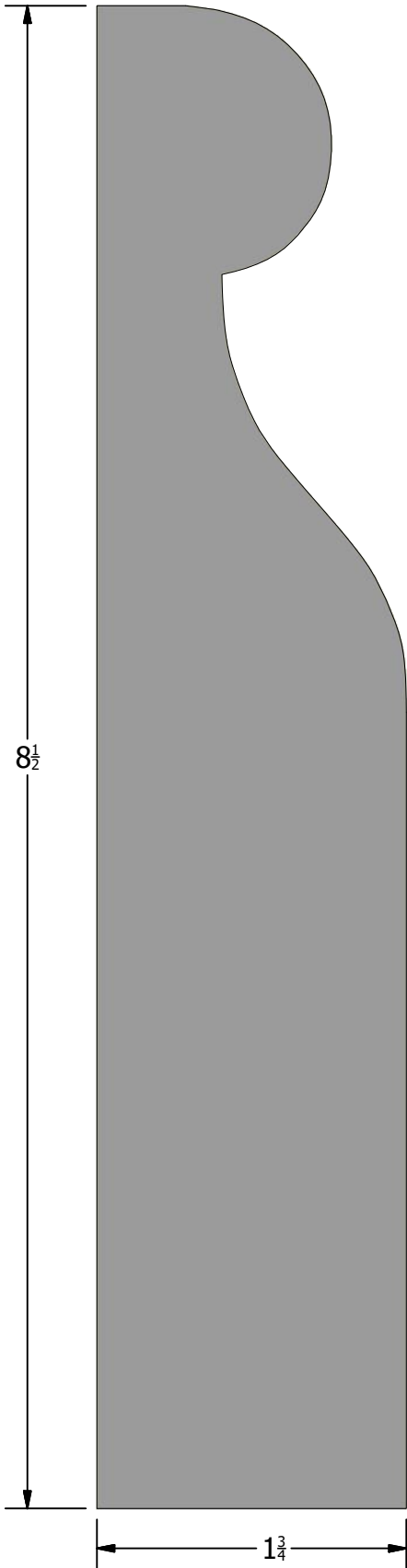
Part Number
Base-06

-234-

Back

Scale 1 : 1

HOMESTEAD
WOODWORKS



Description
Base Board

Part Number
Base-07

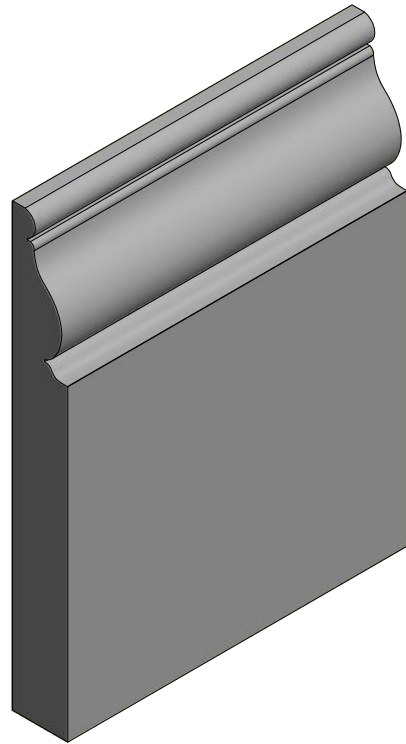
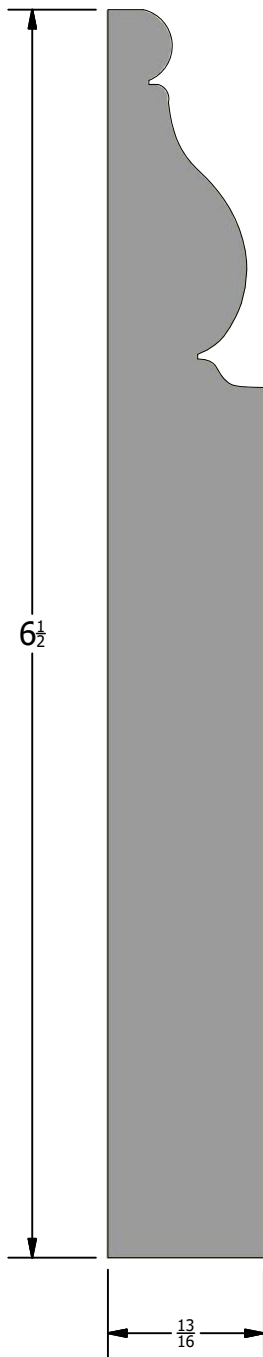
-235-

Back

Scale 1 : 1



HOMESTEAD
WOODWORKS



Description
Base Board

Part Number
Base-08

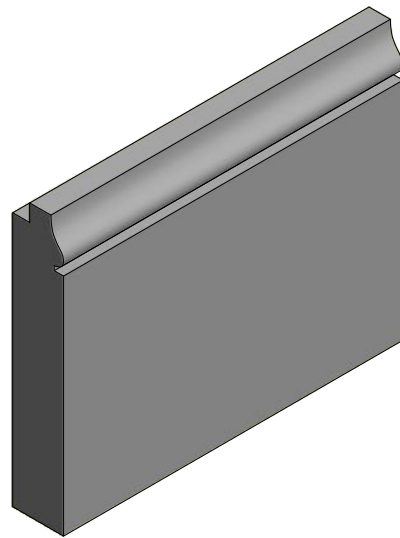
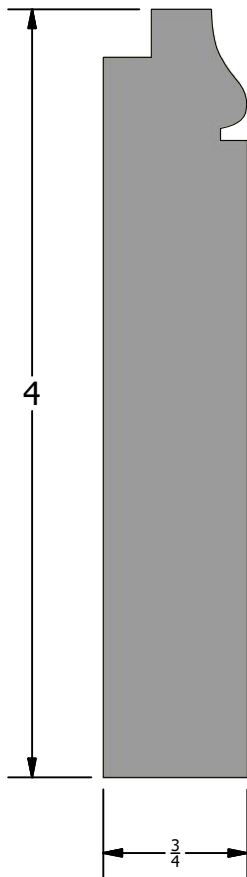
-236-

Back

Scale 1 : 1



HOMESTEAD
WOODWORKS



Description
Base Board

Part Number
Base-09

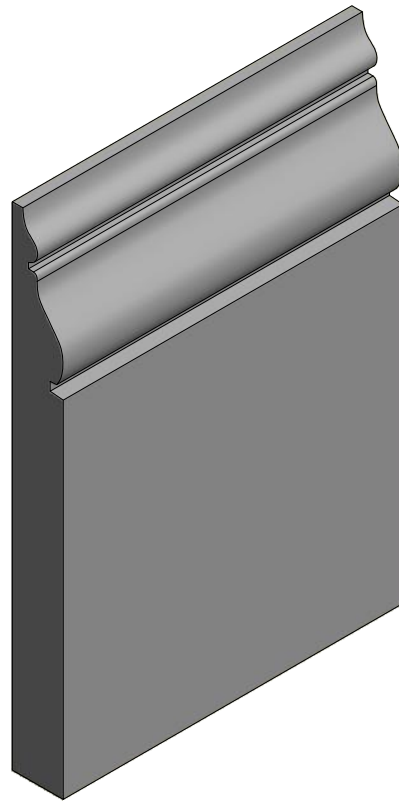
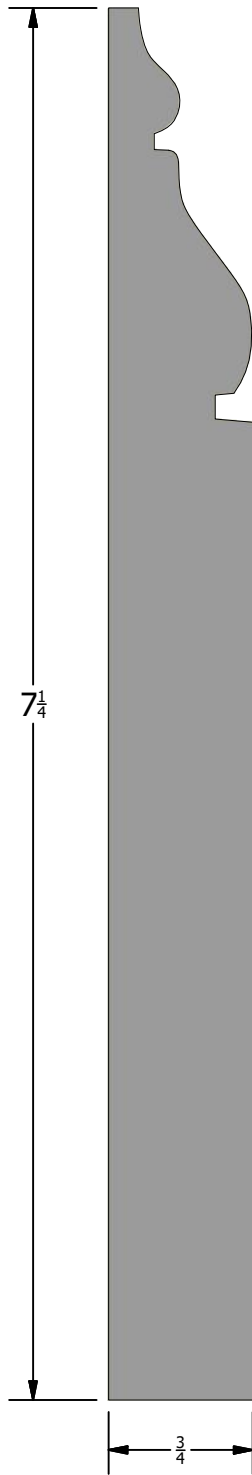
-237-

Back

Scale 1 : 1



HOMESTEAD
WOODWORKS



Description
Base Board

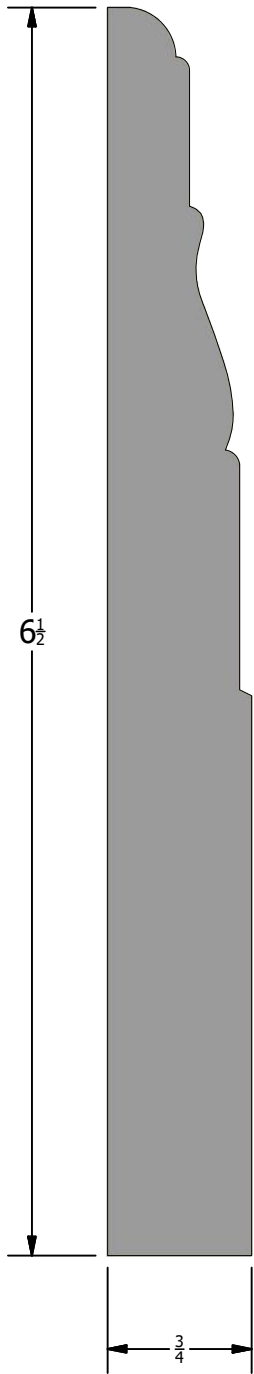
Part Number
Base-10

-238-

Back

Scale 1 : 1





Description
Base Board

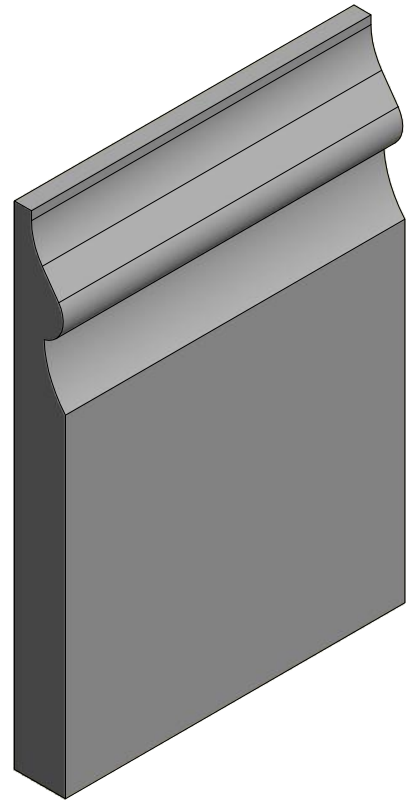
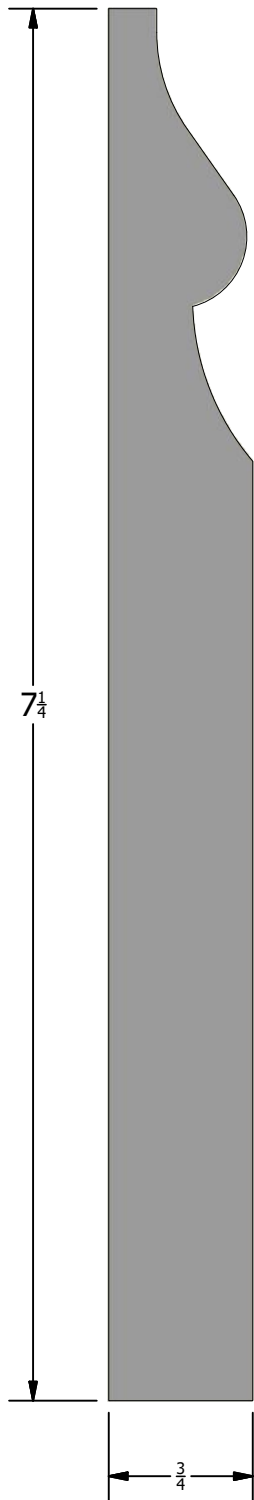
Part Number
Base-11

-239-

Back

Scale 1 : 1

HOMESTEAD
WOODWORKS



Description
Base Board

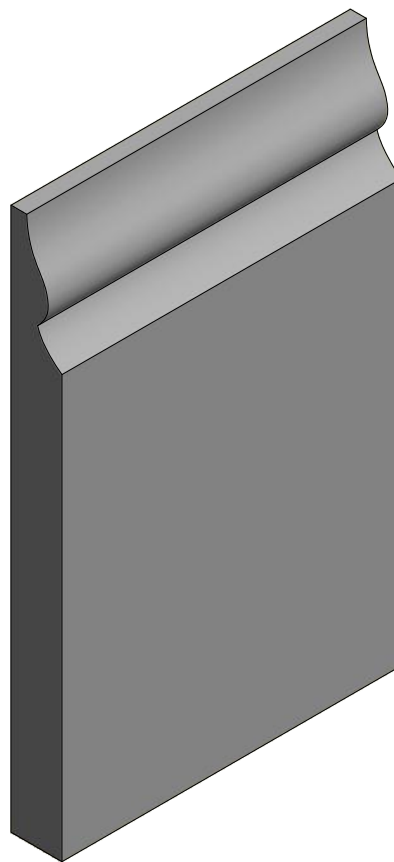
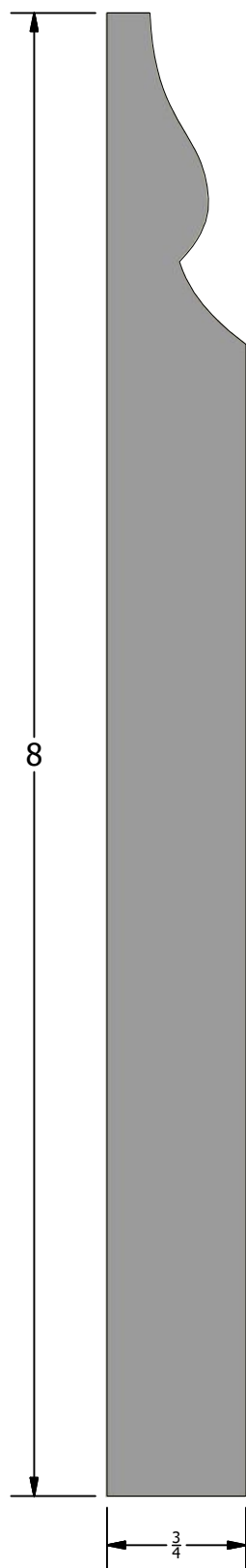
Part Number
Base-12

-240-

Back

Scale 1 : 1

HOMESTEAD
WOODWORKS



Description
Base Board

Part Number
Base-13

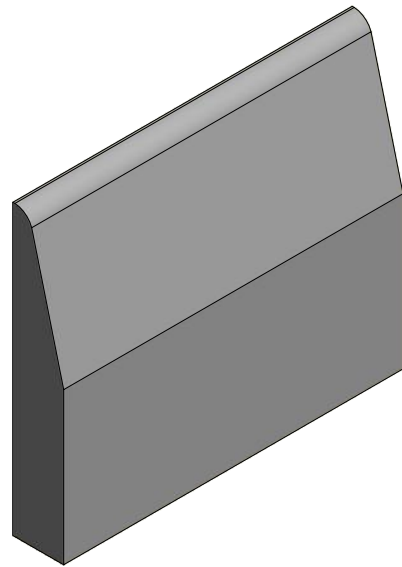
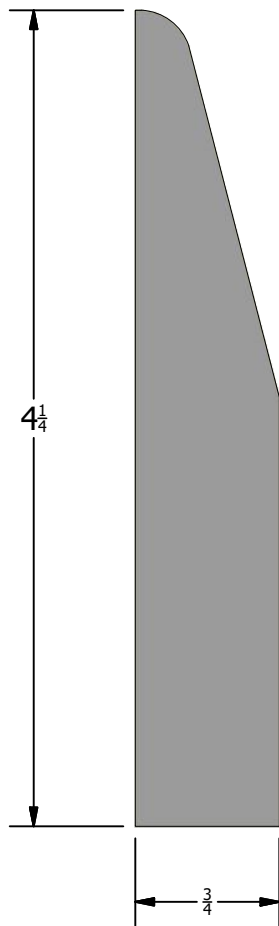
-241-

Back

Scale 1 : 1



HOMESTEAD
WOODWORKS



Description
Base Board

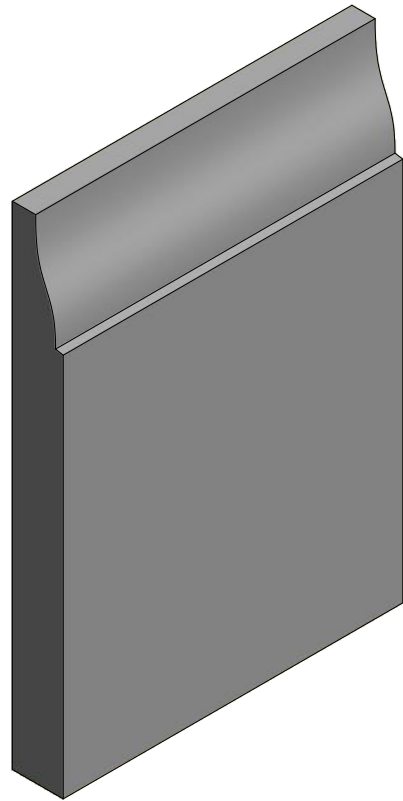
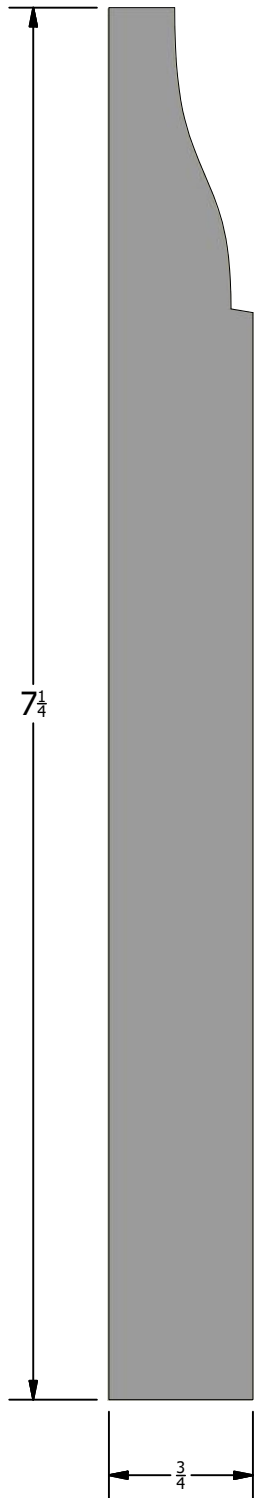
Part Number
Base-14

-242-

Back

Scale 1 : 1

HOMESTEAD
WOODWORKS



Description
Base Board

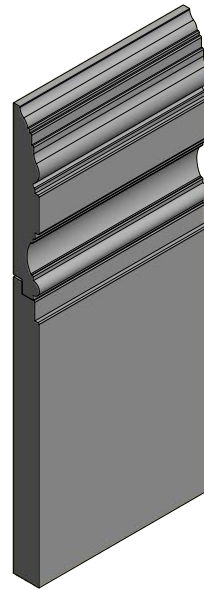
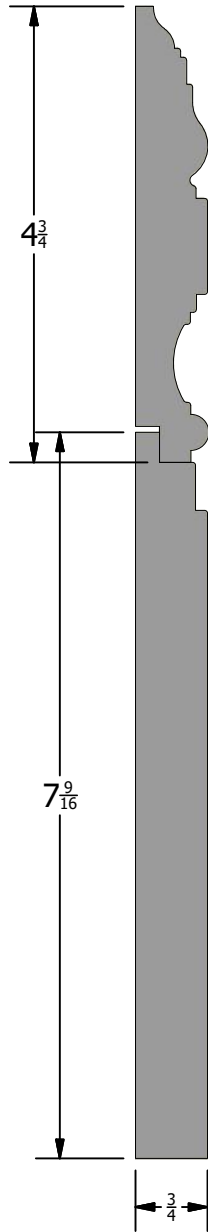
Part Number
Base-15

-243-

Back

Scale 1 : 1

HOMESTEAD
WOODWORKS



Description
Base Board

Part Number
Base-16

-244-

Back

Scale 1 / 2



HOMESTEAD
WOODWORKS

Description

Part Number

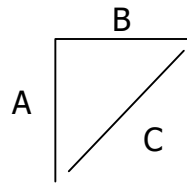
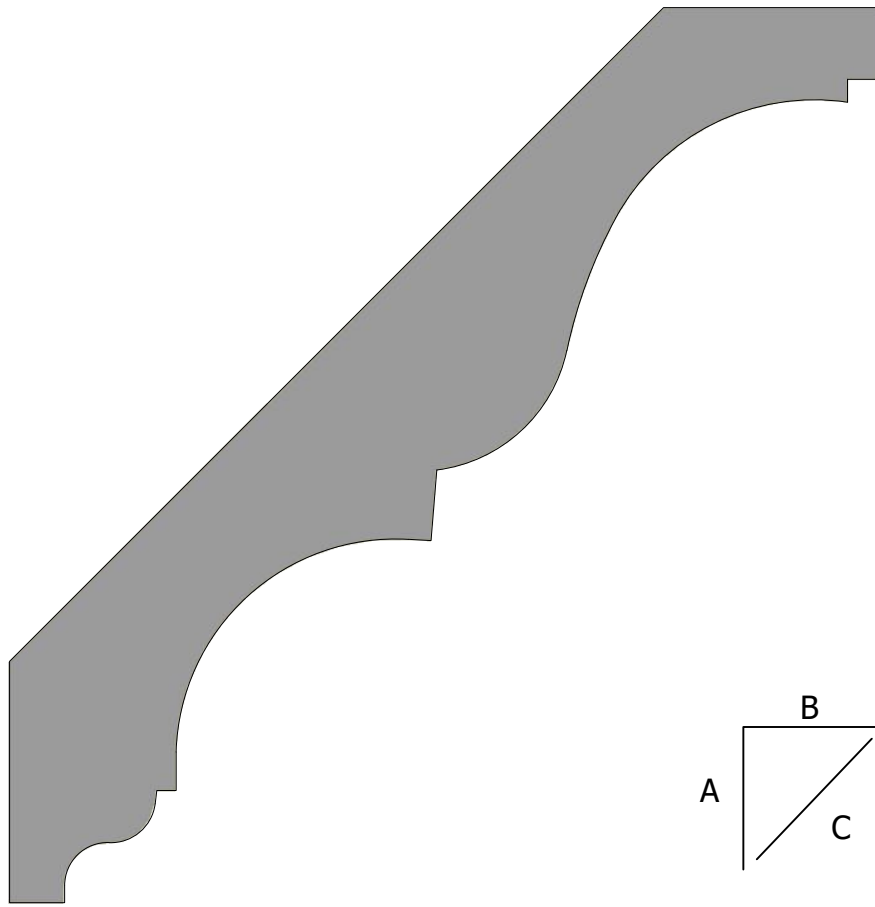
-245-

Back

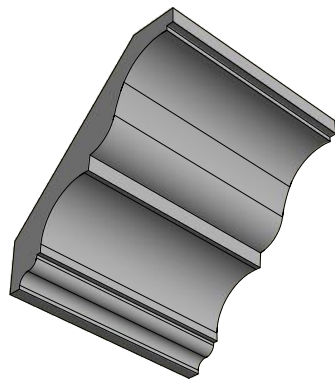
Scale



HOMESTEAD
WOODWORKS



A: 4 1/2"
 B: 4 1/2"
 C: 6 3/8"
 6/4



Description
 Crown Mould

Part Number
 CRO-01

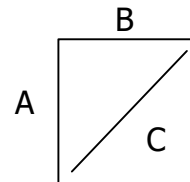
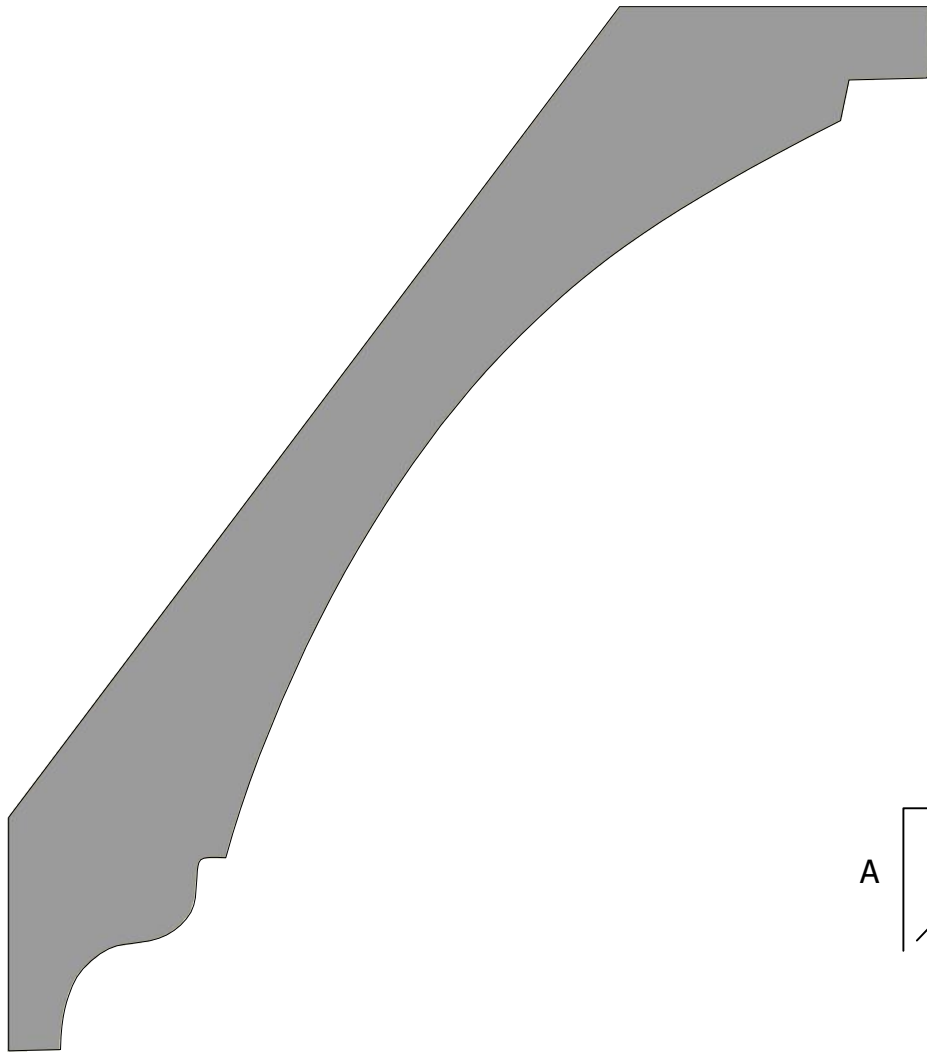
-246-

Back

Scale 1



HOMESTEAD
 WOODWORKS



A: 5 7/16"
B: 4 13/16"
C: 7 1/4"
6/4



Description
Crown Mould

Part Number
CRO-02

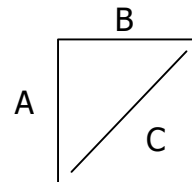
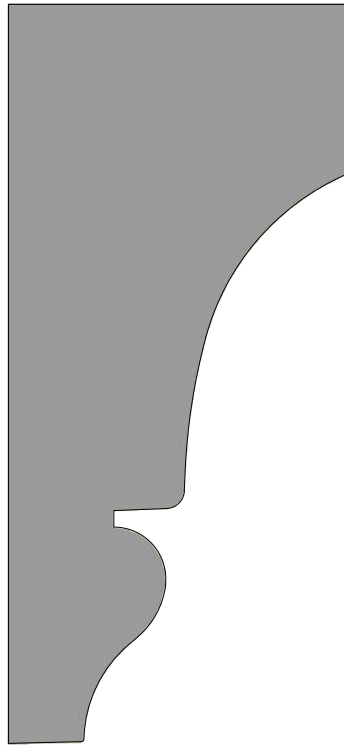
-247-

Back

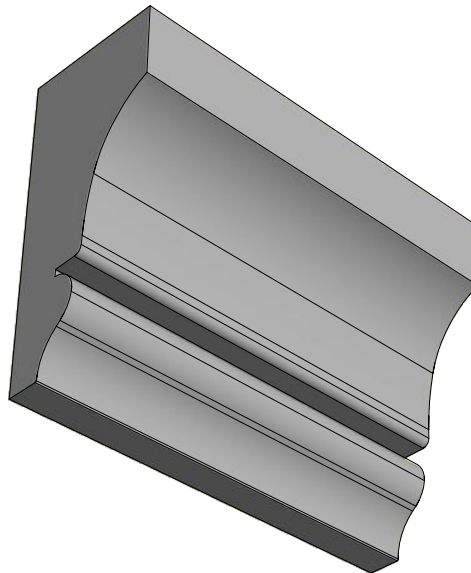
Scale 1 : 1



HOMESTEAD
WOODWORKS



A: 3 5/8"
B: 1 3/4"
C: 4 1/8"



Description
Crown Mould

Part Number
CRO-03

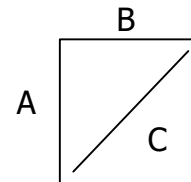
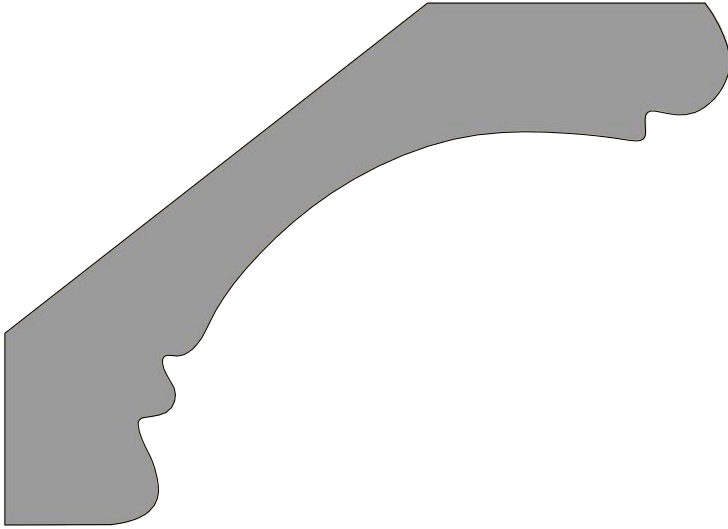
-248-

Back

Scale 1 : 1

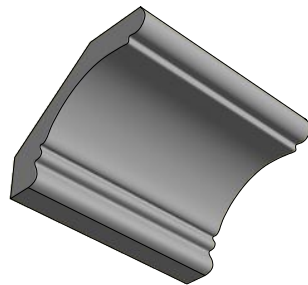


HOMESTEAD
WOODWORKS



A: 2 11/16"
B: 3 5/8"
C: 4 9/16"

6/4



Description
Crown Mould

Part Number
CRO-04

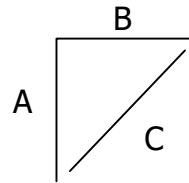
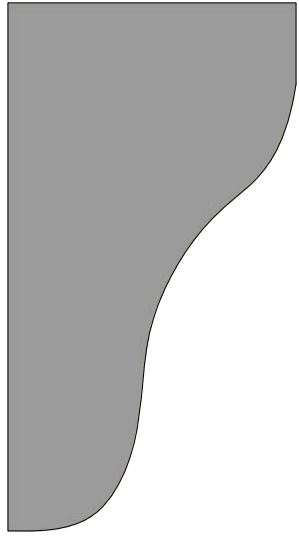
-249-

Back

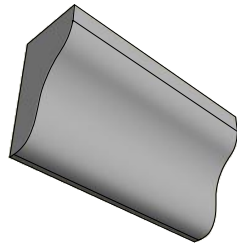
Scale 1 : 1



HOMESTEAD
WOODWORKS



A: 2 3/4"
B: 1 1/2"
C: 3 1/8"



Description
Crown Mould

Part Number
CRO-05

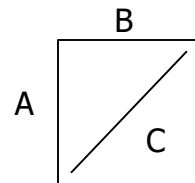
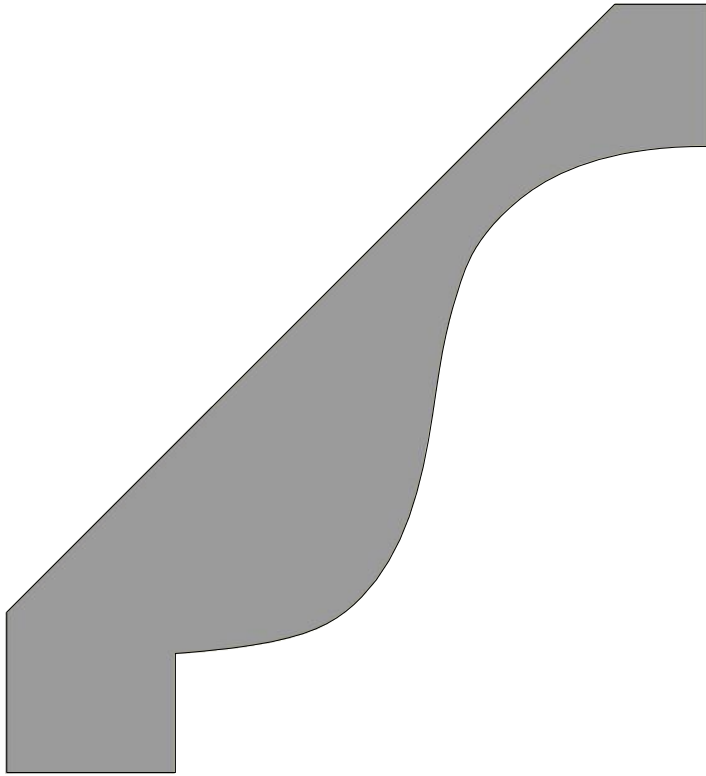
-250-

Back

Scale 1 : 1

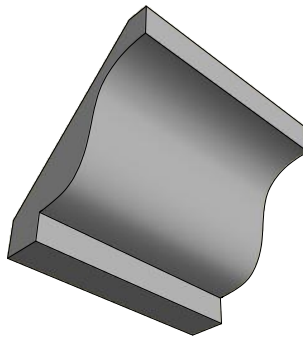


HOMESTEAD
WOODWORKS



A: 4"
B: 3 5/8"
C: 5 7/16"

6/4



Description
Crown Mould

Part Number
CRO-06

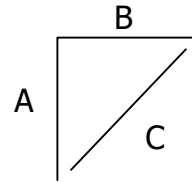
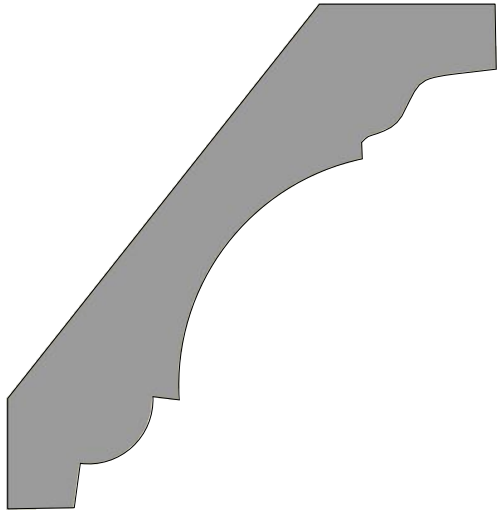
-251-

Back

Scale 1 : 1

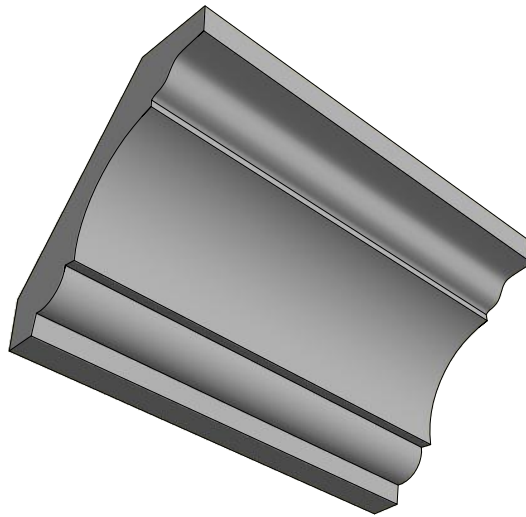


HOMESTEAD
WOODWORKS



A: 2 5/8"
B: 2 9/16"
C: 3 5/8"

4/4



Description
Crown Mould

Part Number
CRO-07

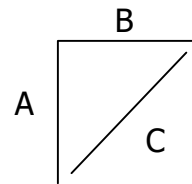
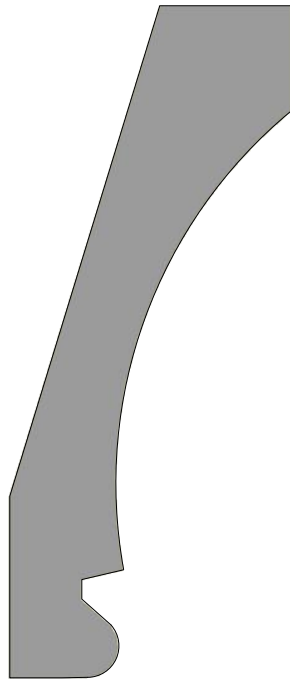
-252-

Back

Scale 1 : 1

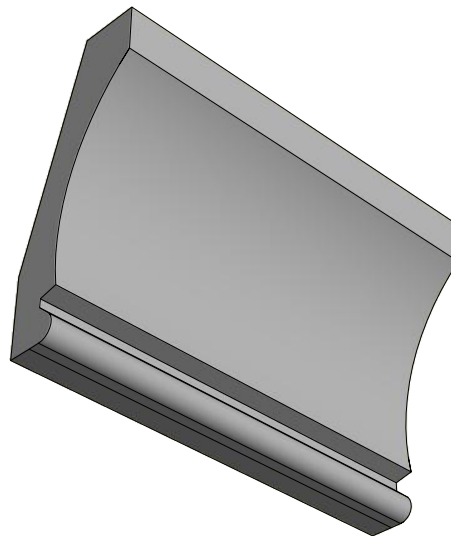


HOMESTEAD
WOODWORKS



A: 3 1/2"
B: 1 7/16"
C: 3 13/16"

4/4



Description
Crown Mould

Part Number
CRO-08

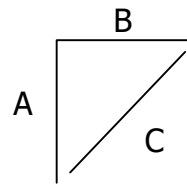
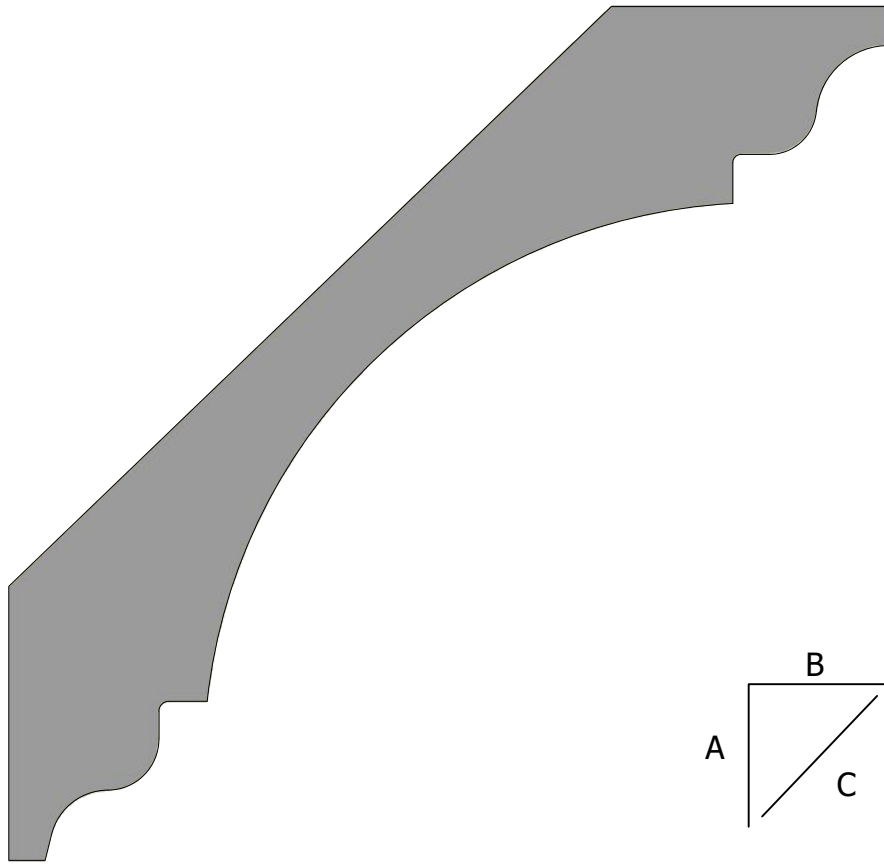
-253-

Back

Scale 1 : 1

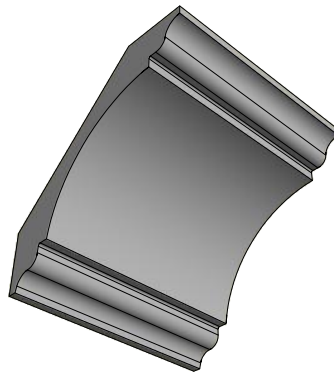


HOMESTEAD
WOODWORKS



A: 4 7/16"
 B: 4 9/16"
 C: 6 3/8"

6/4



Description
 Crown Mould

Part Number
 CRO-09

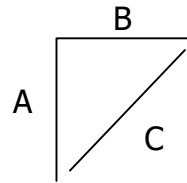
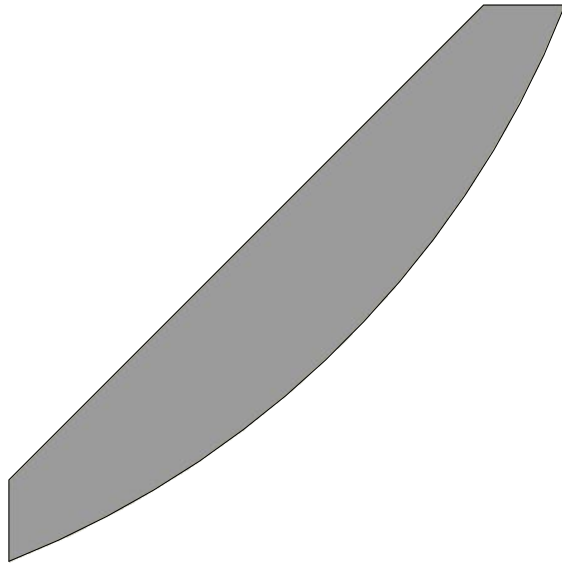
-254-

Back

Scale 1

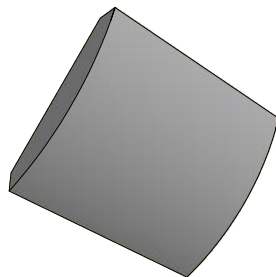


HOMESTEAD
 WOODWORKS



A: 2 7/8"
B: 2 7/8"
C: 4 1/8"

4/4



Description
Crown Mould

Part Number
CRO-10

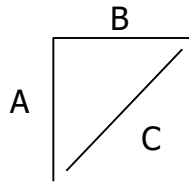
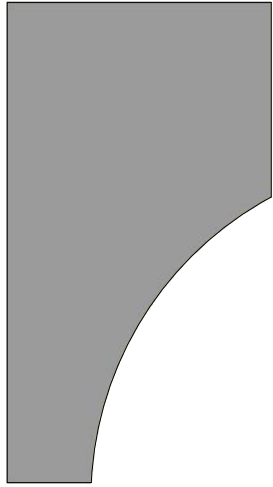
-255-

Back

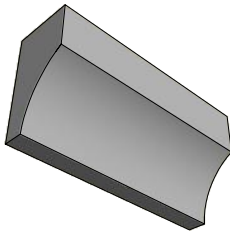
Scale 1 : 1



HOMESTEAD
WOODWORKS



A: 2 1/2"
B: 1 3/8"
C: 2 7/8"



Description
Crown Mould

Part Number
CRO-11

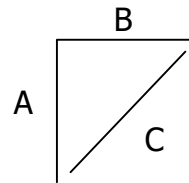
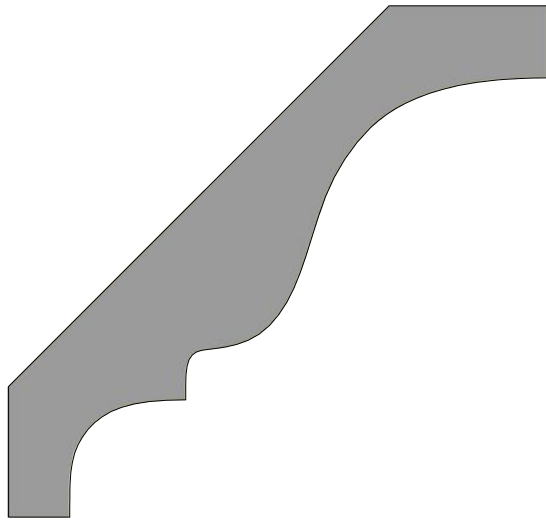
-256-

Back

Scale 1 : 1

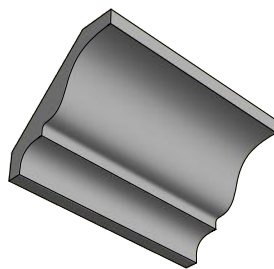


HOMESTEAD
WOODWORKS



A: 2 11/16"
B: 2 13/16"
C: 3 7/8"

6/4



Description
Crown Mould

Part Number
CRO-12-A

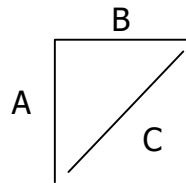
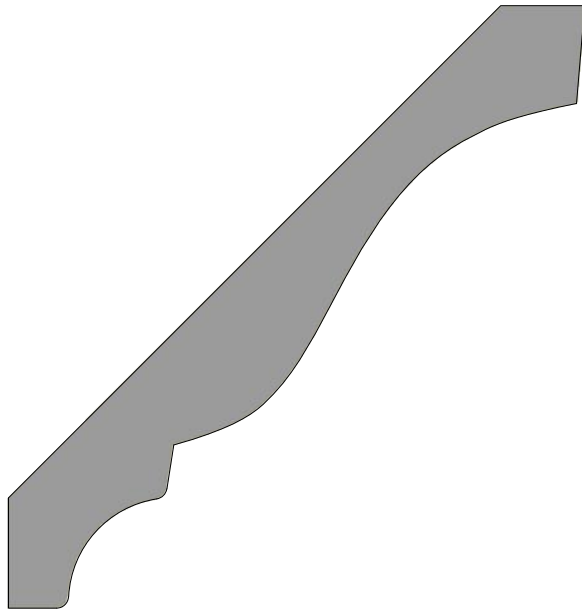
-257-

Back

Scale 1 : 1

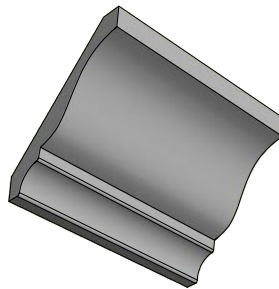


HOMESTEAD
WOODWORKS



A: 3 1/8"
B: 3"
C: 4 5/16"

4/4



Description
Crown Mould

Part Number
CRO-12-B

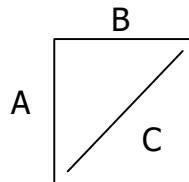
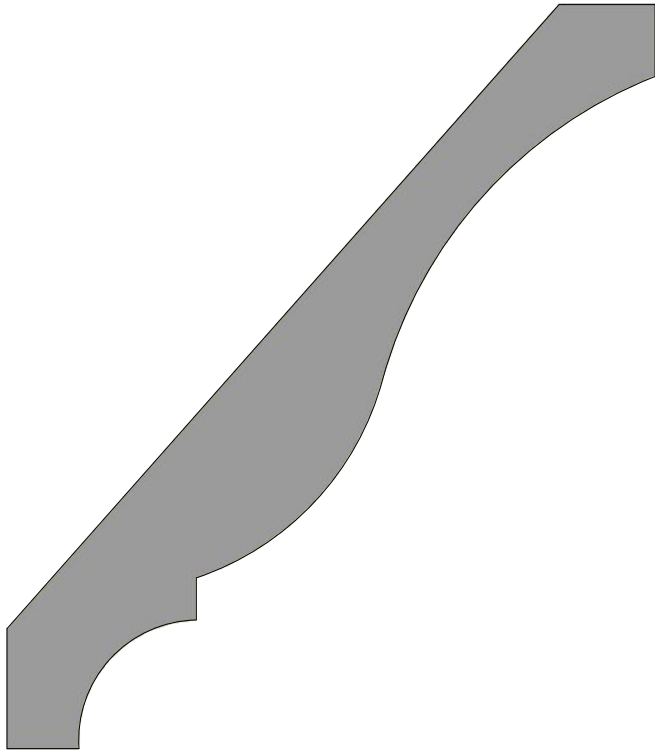
-258-

Back

Scale 1 : 1

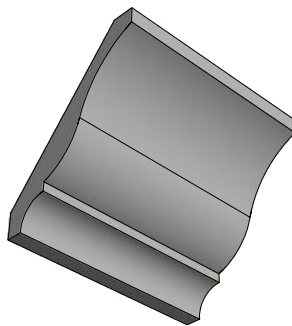


HOMESTEAD
WOODWORKS



A: 3 7/8"
 B: 3 3/8"
 C: 5 1/8"

4/4



Description
 Crown Mould

Part Number
 CRO-12-C

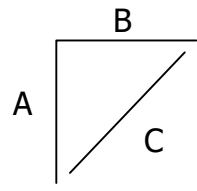
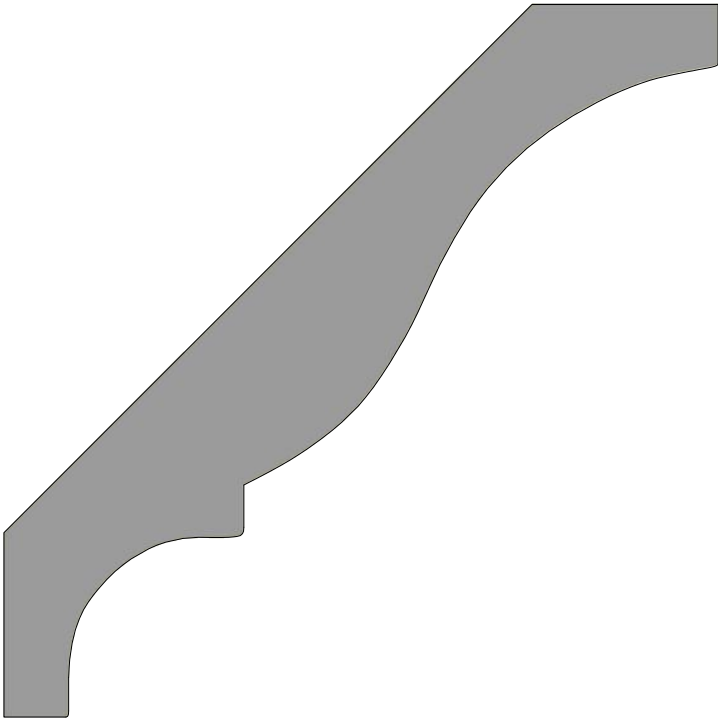
-259-

Back

Scale 1 : 1

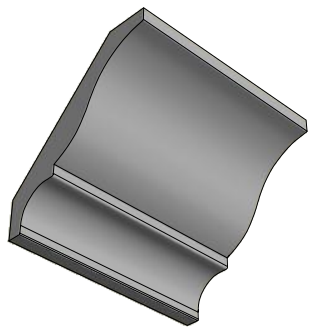


HOMESTEAD
 WOODWORKS



A: 3 11/16"
B: 3 3/4"
C: 5 1/4"

4/4



Description
Crown Mould

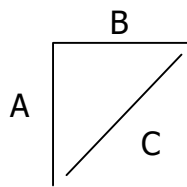
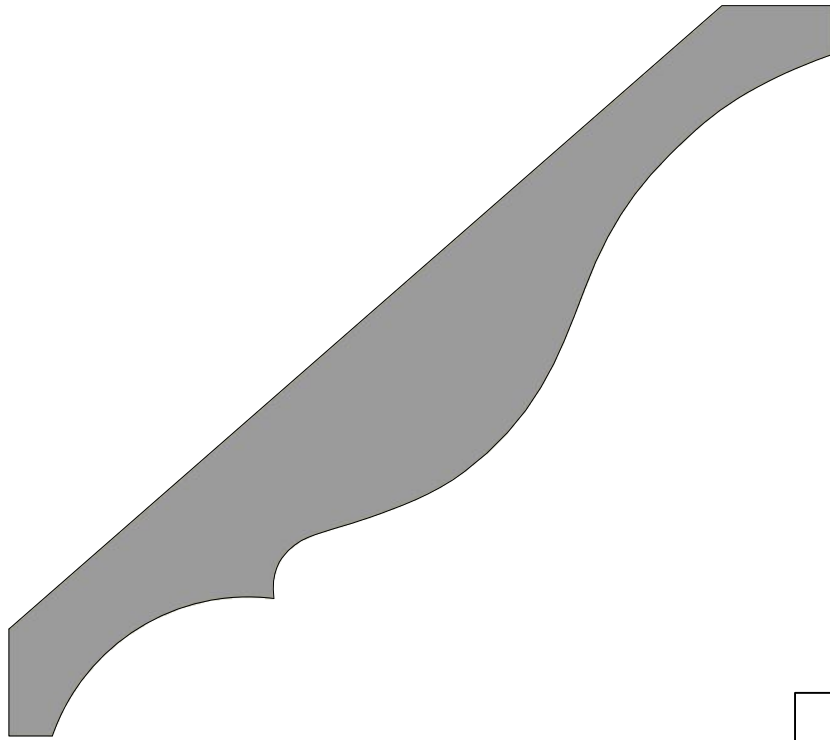
Part Number
CRO-12-D



-260-

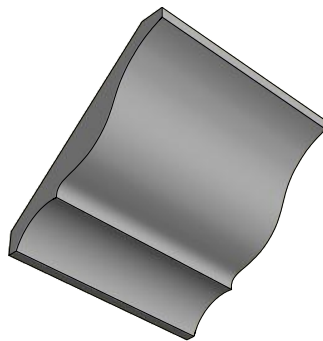
Back

Scale 1 : 1



A: 3 13/16"
 B: 4 1/4"
 C: 5 3/4"

4/4



Description
 Crown Mould

Part Number
 CRO-12-E

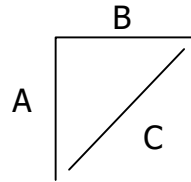
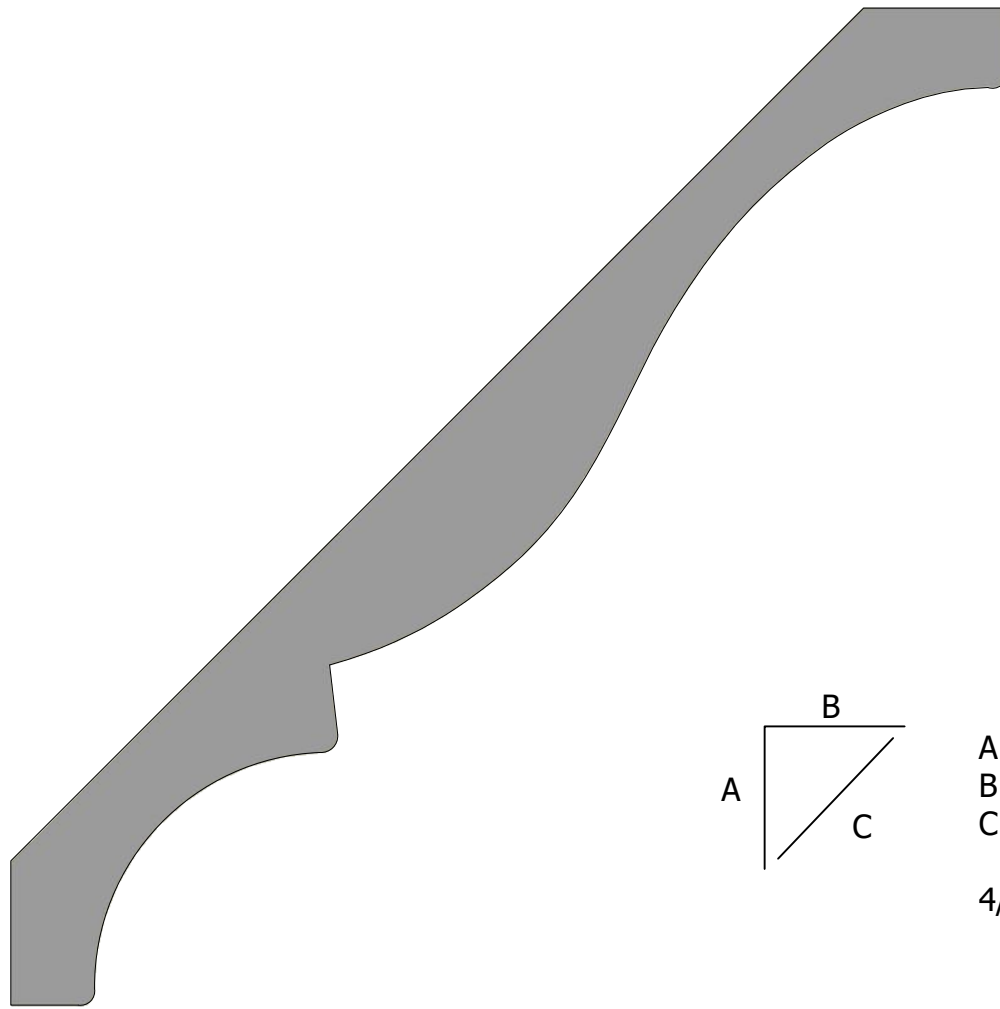
-261-

Back

Scale 1 : 1

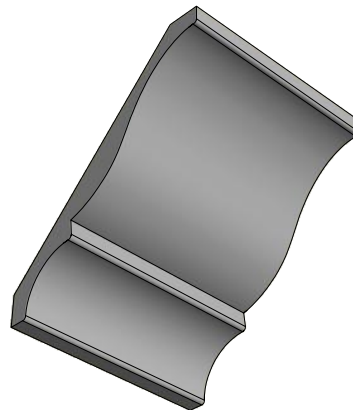


HOMESTEAD
 WOODWORKS



A: 5 3/16"
B: 5 3/16"
C: 7 5/16"

4/4



Description
Crown Mould

Part Number
CRO-12-F

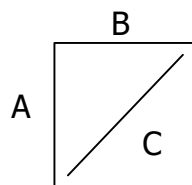
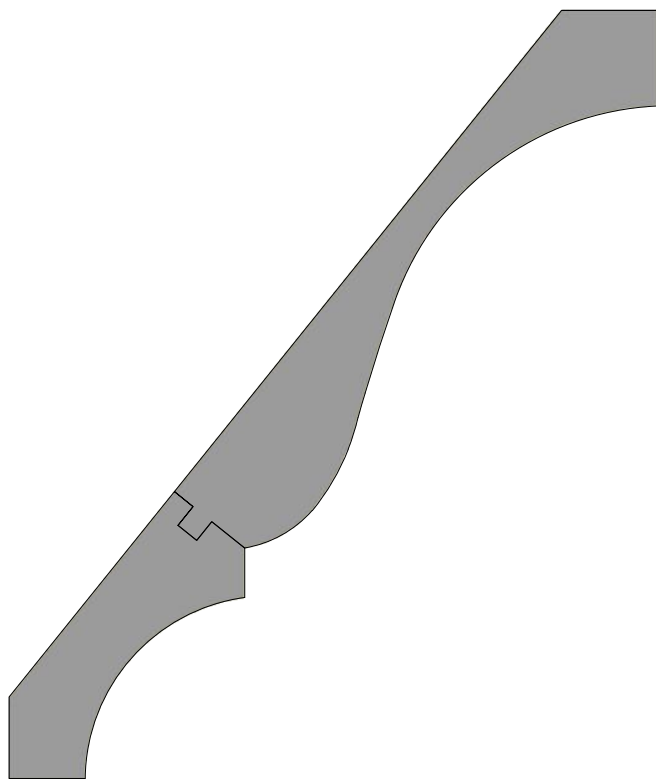
-262-

Back

Scale 1 : 1

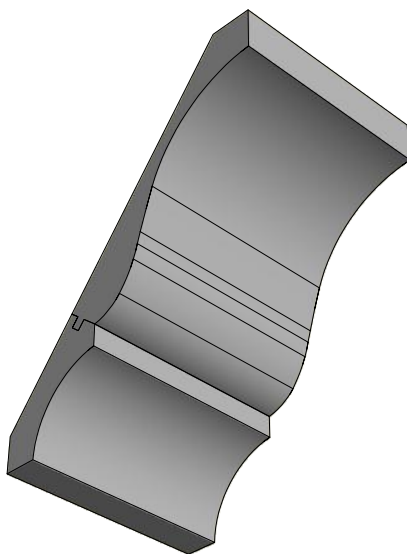


HOMESTEAD
WOODWORKS



A: 8"
 B: 6 3/4"
 C: 10 7/16"

4/4



Description
 Crown Mould

Part Number
 CRO-12-G

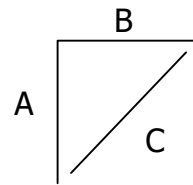
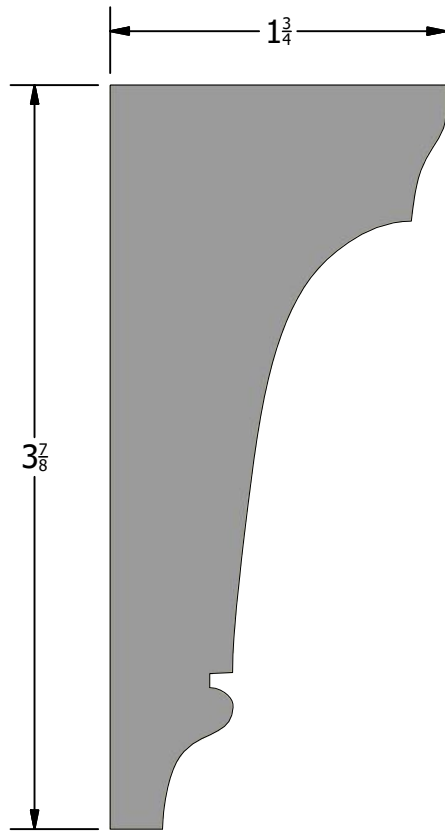
-263-

Back

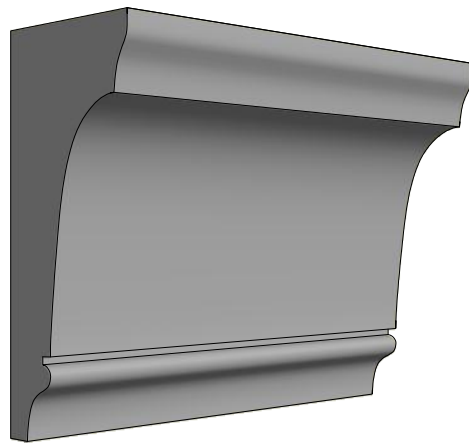
Scale 1 / 2



HOMESTEAD
 WOODWORKS



A: 3 7/8"
 B: 1 3/4"
 C: 4 1/4"



Description
 Crown Mould

Part Number
 CRO-13

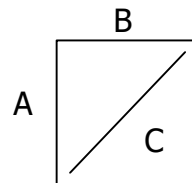
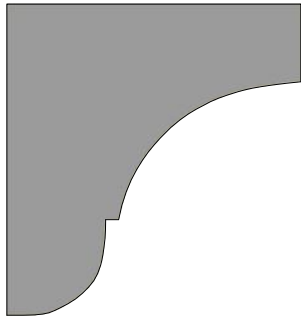
-264-

Back

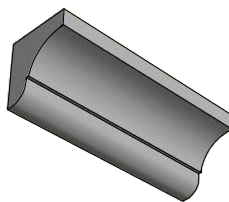
Scale 1



HOMESTEAD
 WOODWORKS



A: 1 5/8"
B: 1 1/2"
C: 2 1/4"



Description
Crown Mould

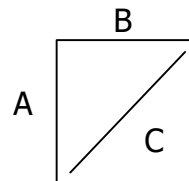
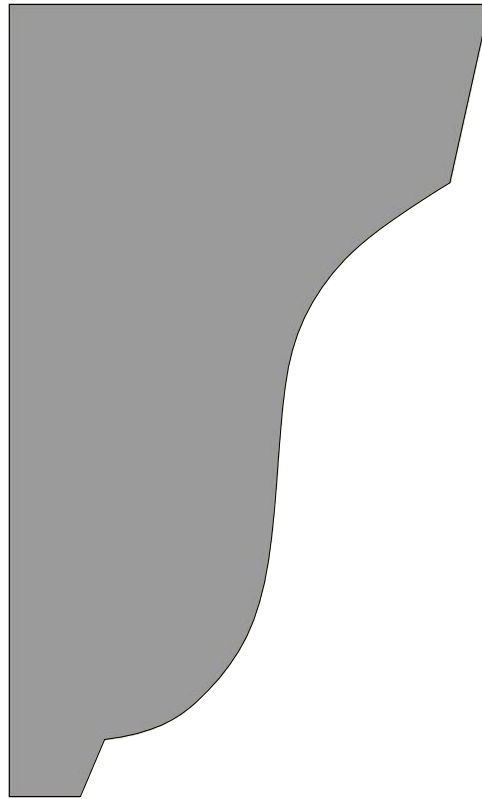
Part Number
CRO-14



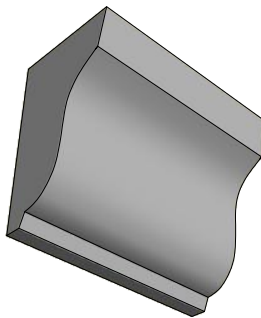
-265-

Back

Scale 1 : 1



A: 4 1/8"
B: 2 1/2"
C: 4 13/16"



Description
Crown Mould

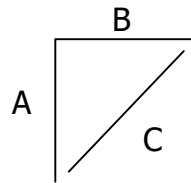
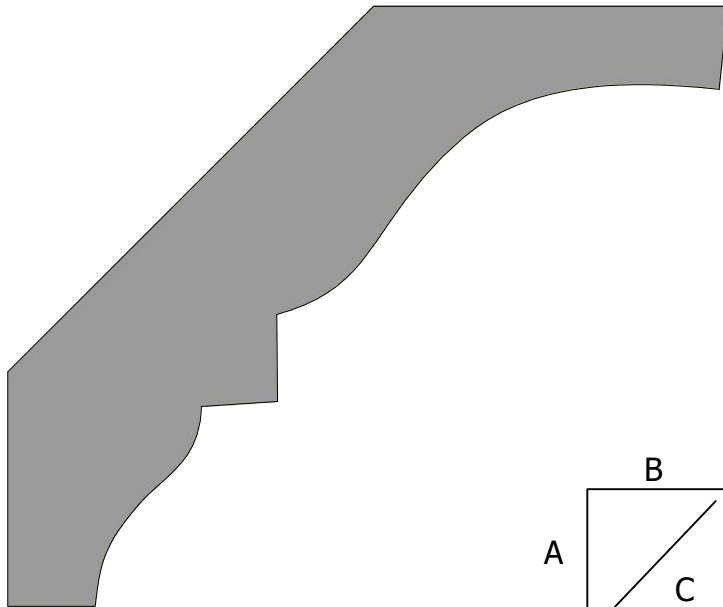
Part Number
CRO-15



-266-

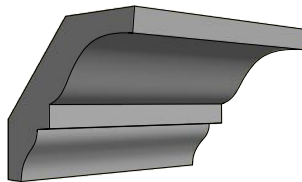
Back

Scale 1 : 1



A: 3 1/8"
 B: 3 3/4"
 C: 4 7/8"

8/4



Description
 Crown Mould

Part Number
 CRO-16

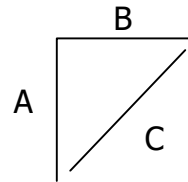
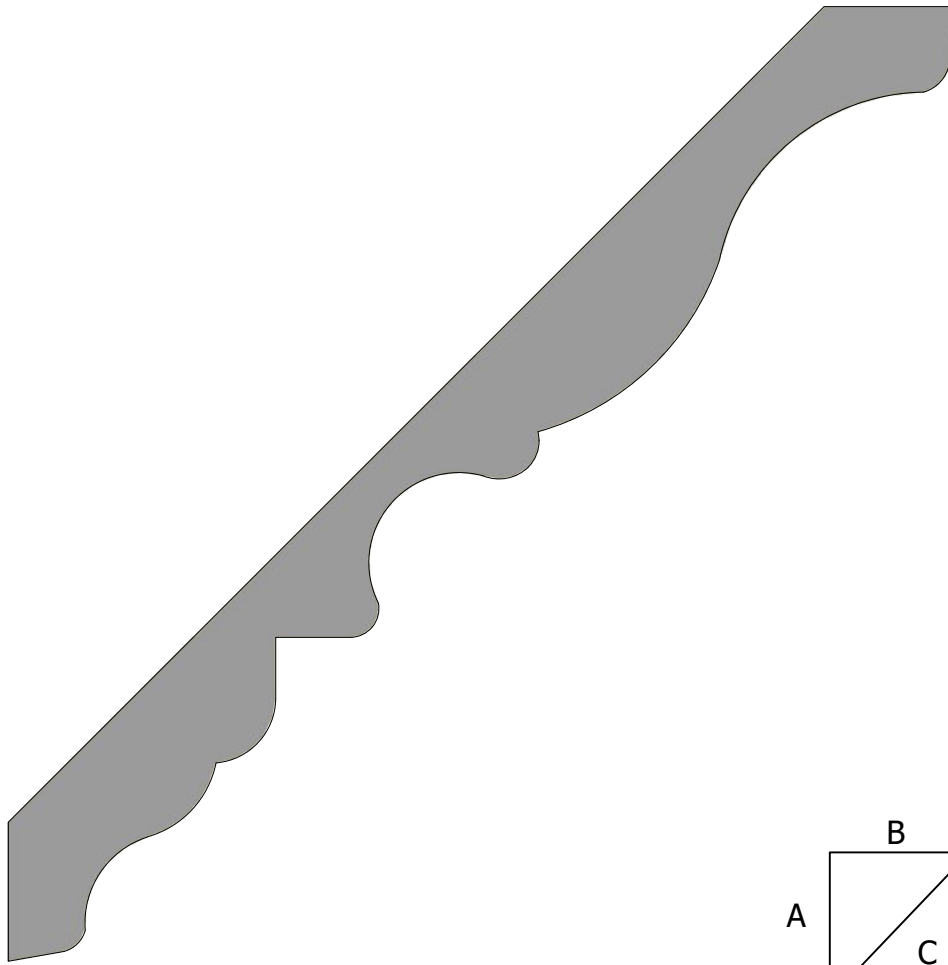
-267-

Back

Scale 1 : 1

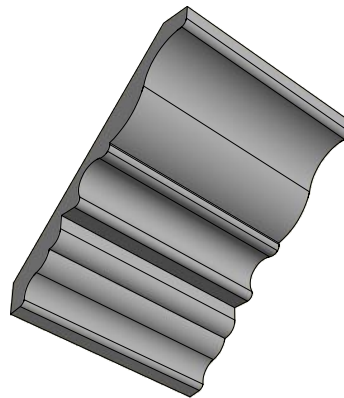


HOMESTEAD
 WOODWORKS



A: 5"
B: 4 15/16"
C: 7"

4/4



Description
Crown Mould

Part Number
CRO-17-A

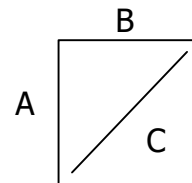
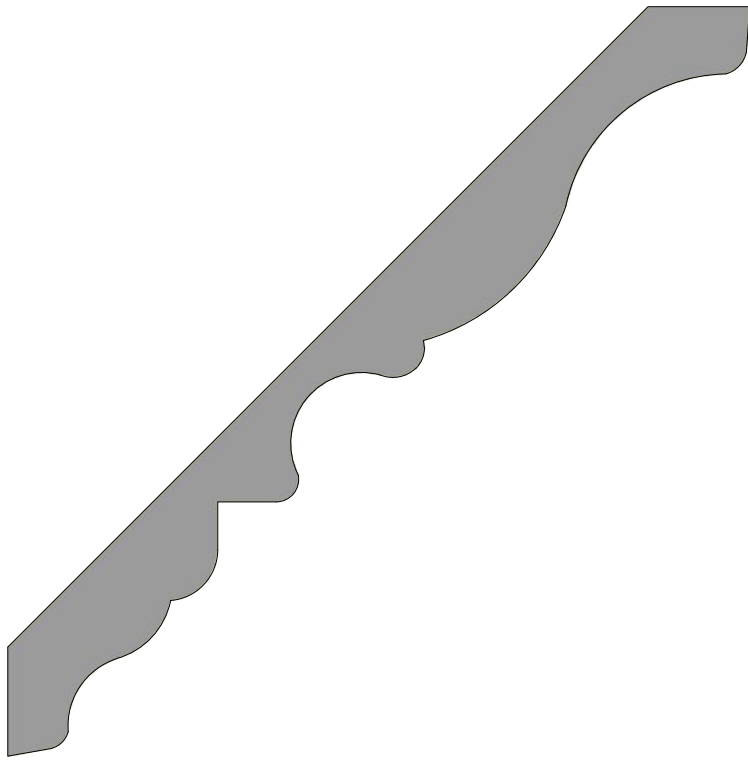
-268-

Back

Scale 1 : 1

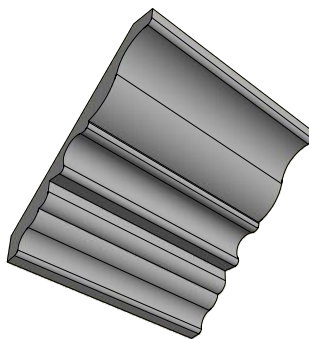


HOMESTEAD
WOODWORKS



A: 3 7/8"
B: 3 7/8"
C: 5 1/2"

4/4



Description
Crown Mould

Part Number
CRO-17-B

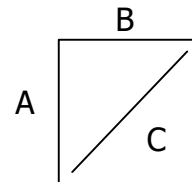
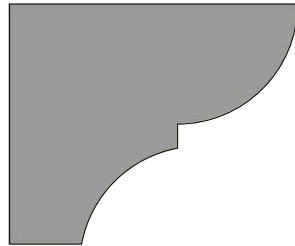
-269-

Back

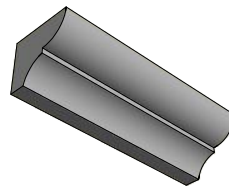
Scale 1 : 1



HOMESTEAD
WOODWORKS



A: 1 1/4"
B: 1 1/2"
C: 1 15/16"



Description
Crown Mould

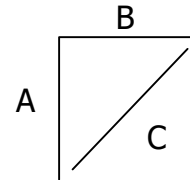
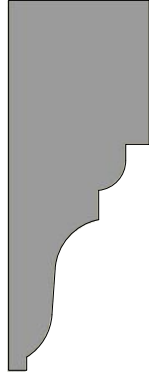
Part Number
CRO-18



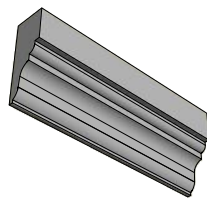
-270-

Back

Scale 1 : 1



A: 1 15/16"
B: 3/4"
C: 2 1/16"



Description
Crown Mould

Part Number
CRO-19

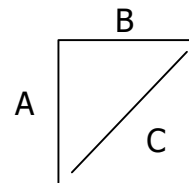
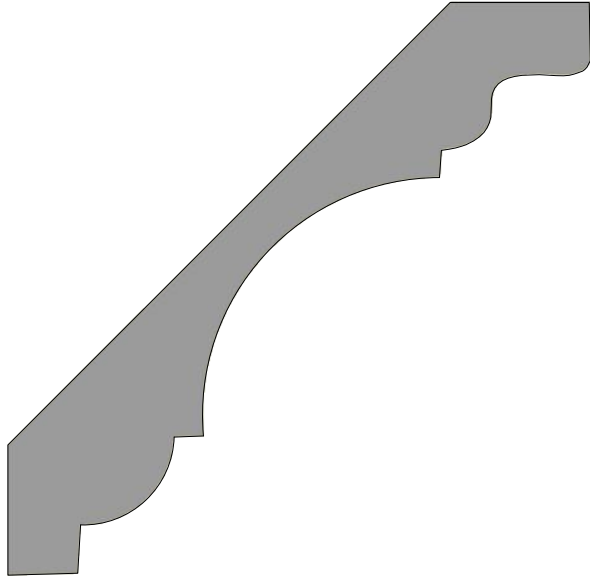
-271-

Back

Scale 1 : 1

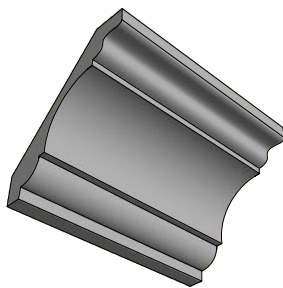


HOMESTEAD
WOODWORKS



A: 3"
B: 3"
C: 4 1/4"

4/4



Description
Crown Mould

Part Number
CRO-20-A

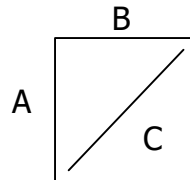
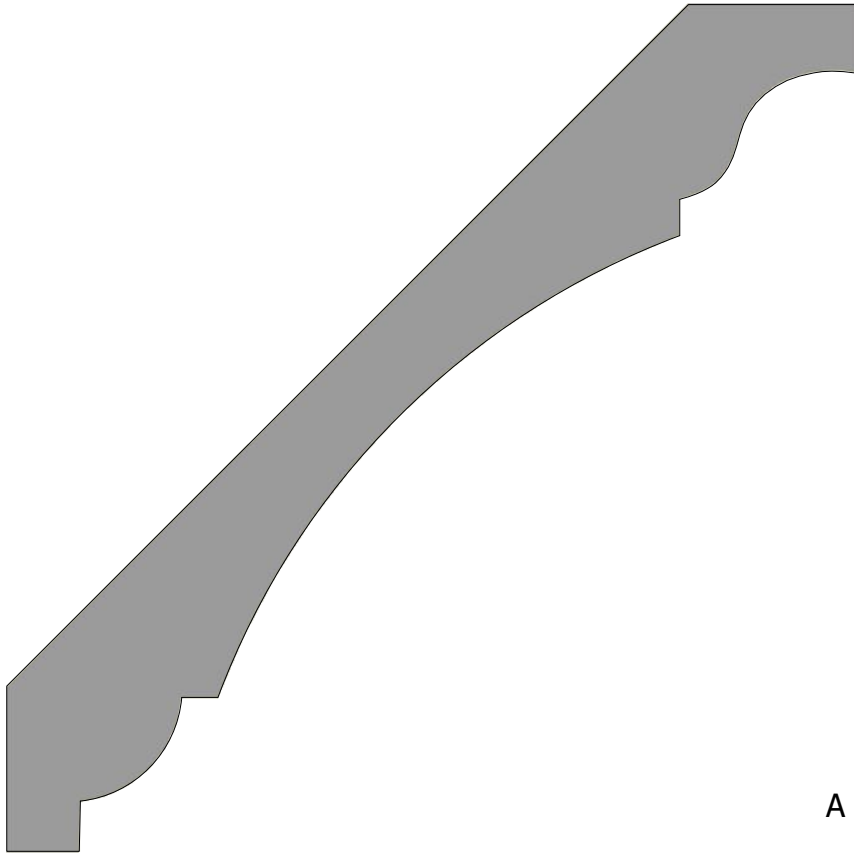
-272-

Back

Scale 1 : 1

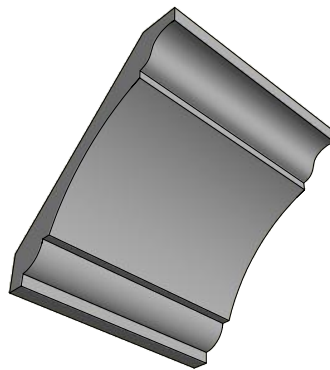


HOMESTEAD
WOODWORKS



A: 4 7/16"
B: 4 7/16"
C: 6 1/4"

4/4



Description
Crown Mould

Part Number
CRO-20-B

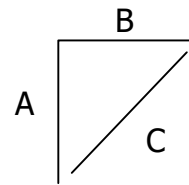
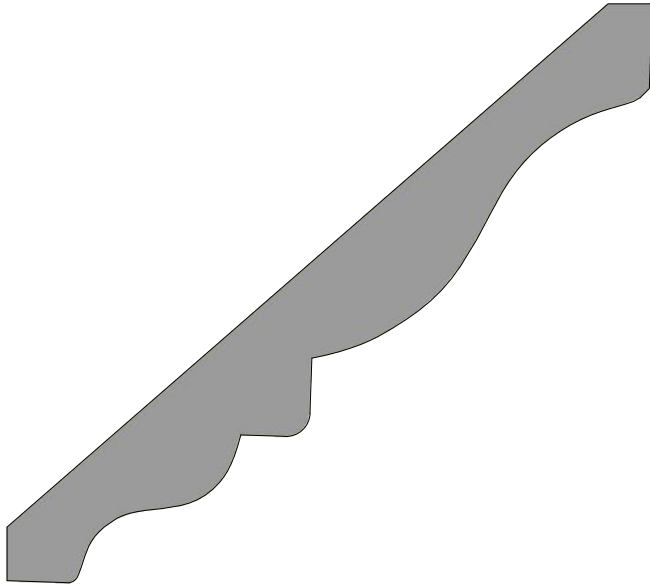
-273-

Back

Scale 1 : 1

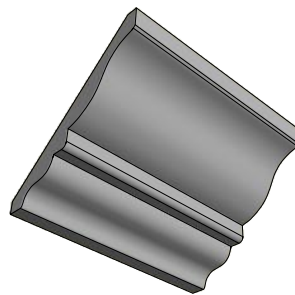


HOMESTEAD
WOODWORKS



A: 3"
B: 3 3/8"
C: 4 1/2"

4/4



Description
Crown Mould

Part Number
CRO-21

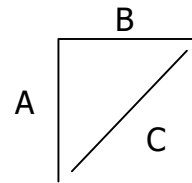
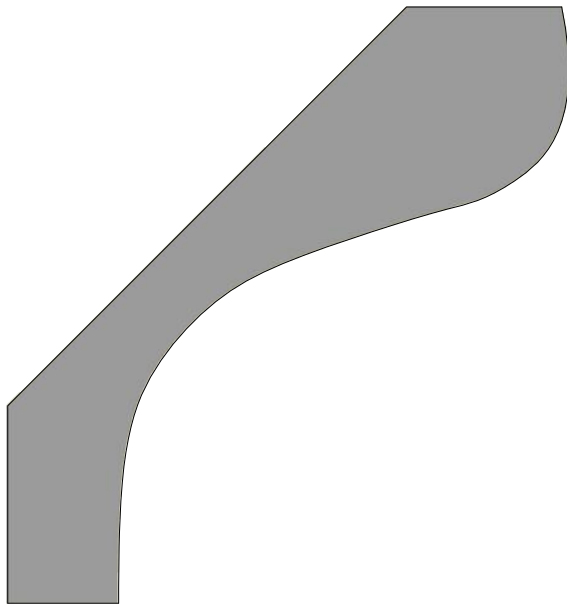
-274-

Back

Scale 1 : 1

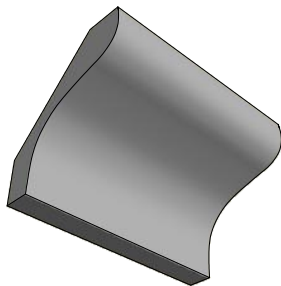


HOMESTEAD
WOODWORKS



A: 3 1/8"
B: 2 7/8"
C: 4 1/4"

6/4



Description
Crown Mould

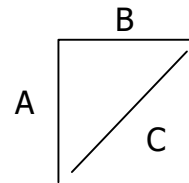
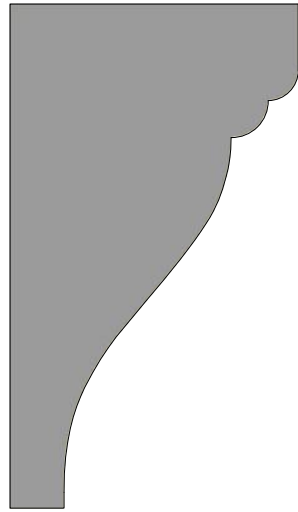
Part Number
CRO-22



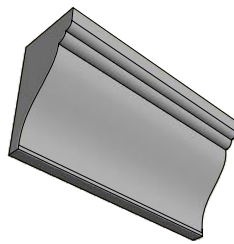
-275-

Back

Scale 1 : 1



A: 2 5/8"
B: 1 1/2"
C: 3"



Description
Crown Mould

Part Number
CRO-23

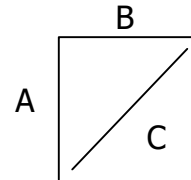
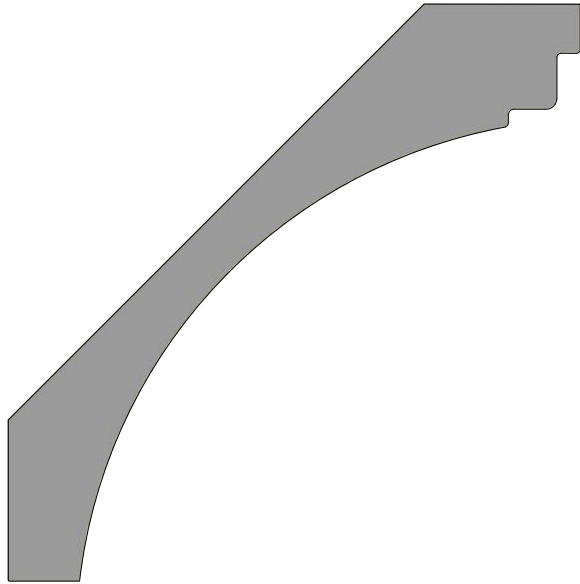
-276-

Back

Scale 1 : 1

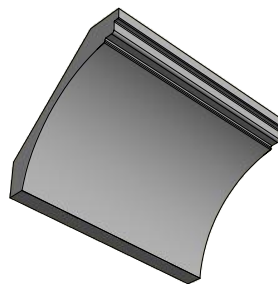


HOMESTEAD
WOODWORKS



A: 3"
B: 3"
C: 4 1/4"

4/4



Description
Crown Mould

Part Number
CRO-24

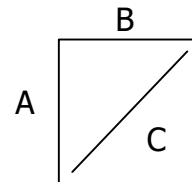
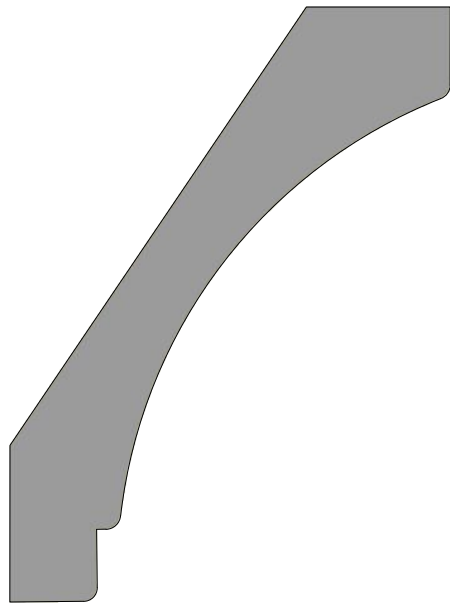
-277-

Back

Scale 1 : 1

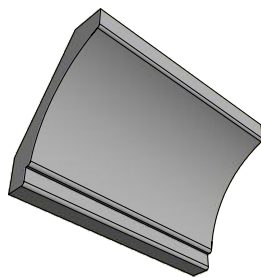


HOMESTEAD
WOODWORKS



A: 2 5/16"
B: 3 1/8"
C: 3 7/8"

4/4



Description
Crown Mould

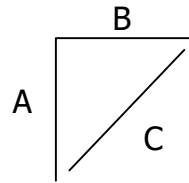
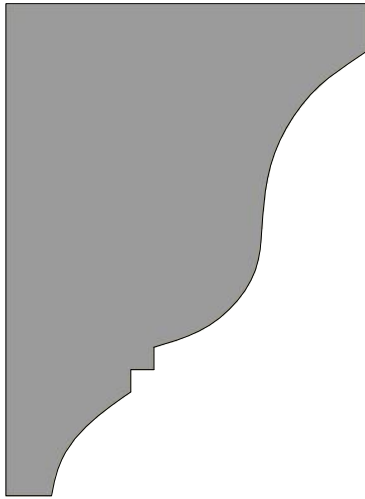
Part Number
CRO-25



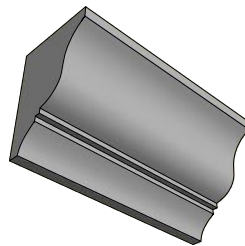
-278-

Back

Scale 1 : 1



A: 2 9/16"
B: 1 7/8"
C: 3 3/16"



Description
Crown Mould

Part Number
CRO-26

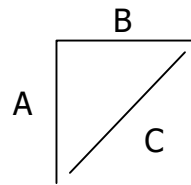
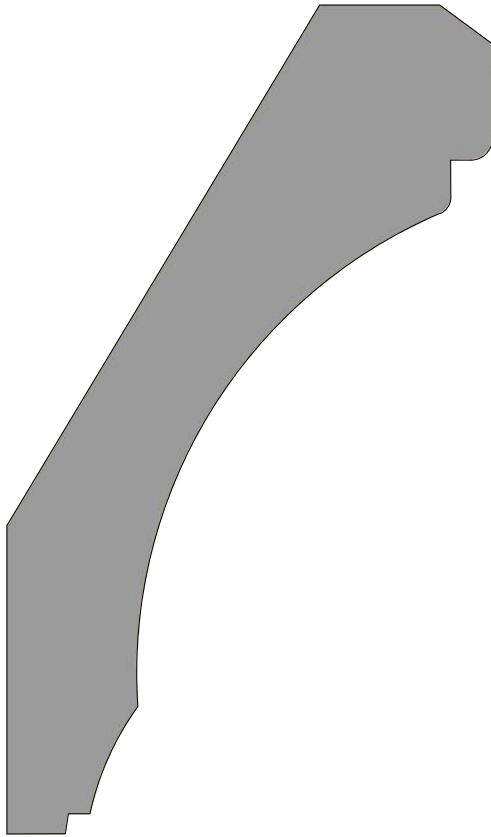
-279-

Back

Scale 1 : 1

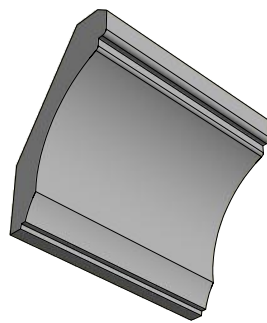


HOMESTEAD
WOODWORKS



A: 4 15/16"
B: 2 1/2"
C: 4 13/16"

6/4



Description
Crown Mould

Part Number
CRO-27

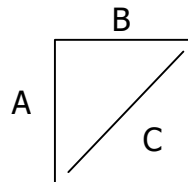
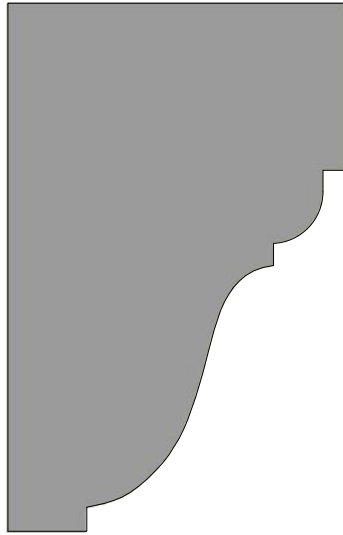
-280-

Back

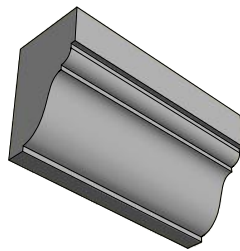
Scale 1 : 1



HOMESTEAD
WOODWORKS



A: 2 3/4"
B: 1 3/4"
C: 3 1/4"



Description
Crown Mould

Part Number
CRO-28

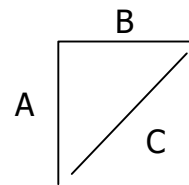
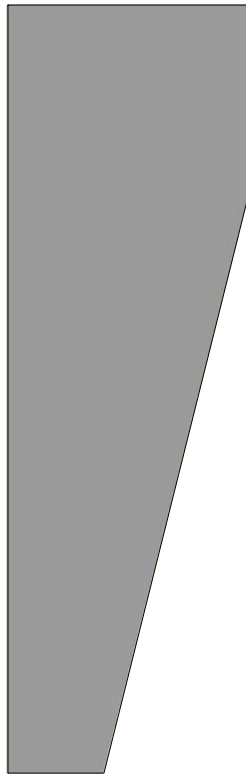
-281-

Back

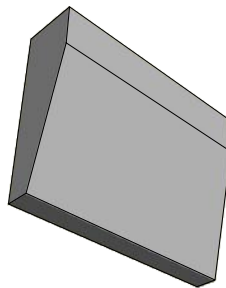
Scale 1 : 1



HOMESTEAD
WOODWORKS



A: 4"
B: 1 3/4"
C: 4 13/16"



Description
Crown Mould

Part Number
CRO-29

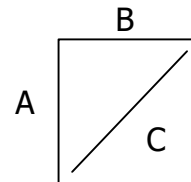
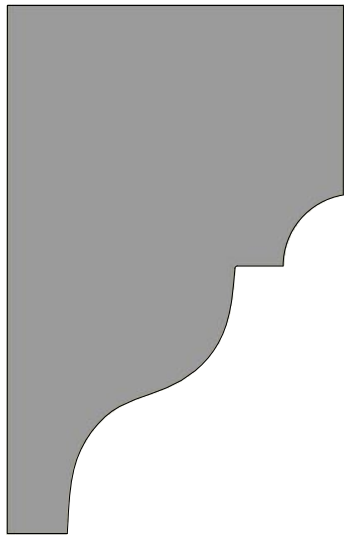
-282-

Back

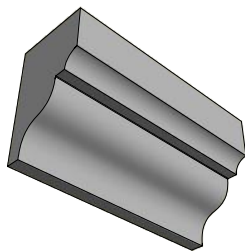
Scale 1 : 1



HOMESTEAD
WOODWORKS



A: 2 3/4"
B: 1 3/4"
C: 3 1/4"



Description
Crown Mould

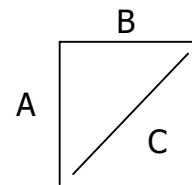
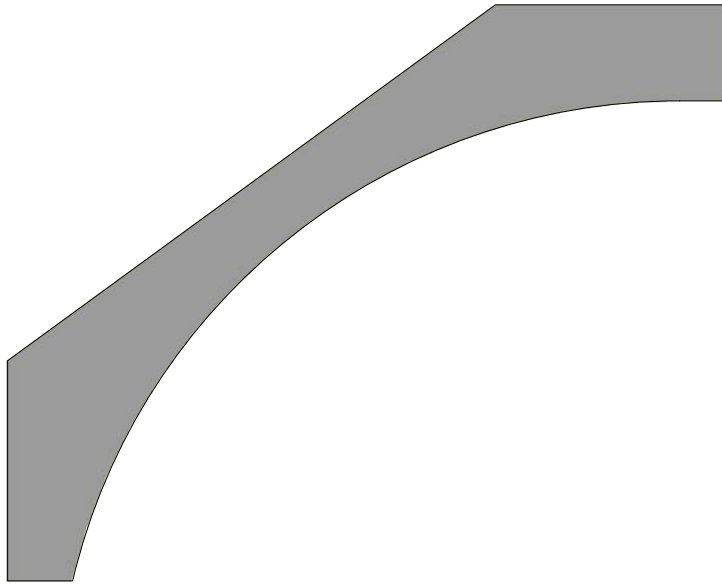
Part Number
CRO-30



-283-

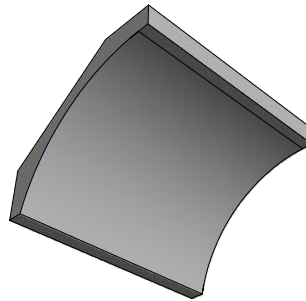
Back

Scale 1 : 1



A: 3 "
B: 3 3/4"
C: 4 13/16"

6/4



Description
Crown Mould

Part Number
CRO-31

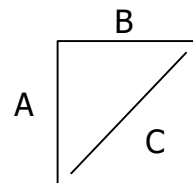
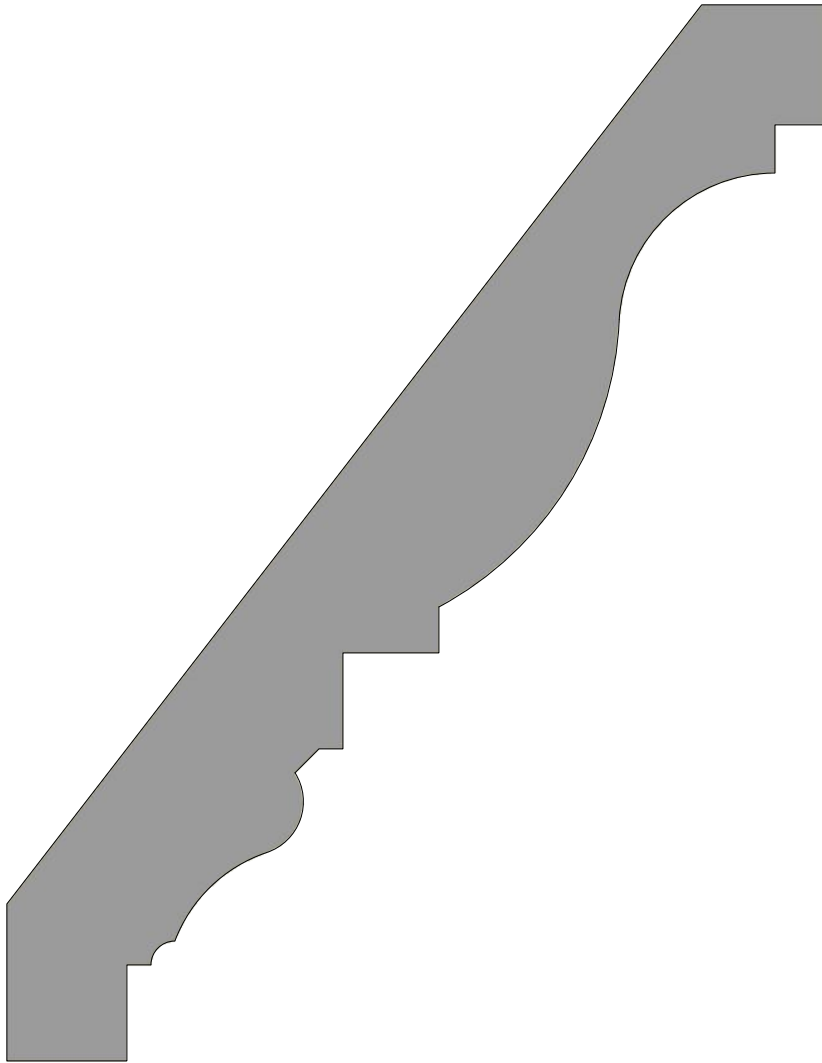
-284-

Back

Scale 1 : 1

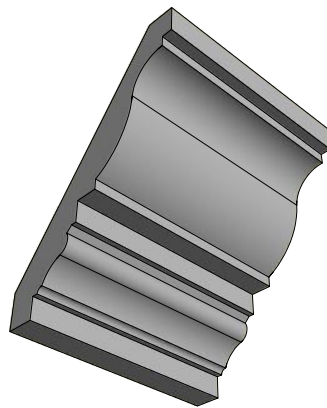


HOMESTEAD
WOODWORKS



A: 5 1/2"
B: 4 1/4"
C: 6 15/16"

4/4



Description
Crown Mould

Part Number
CRO-32

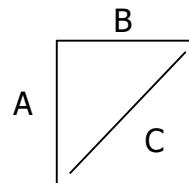
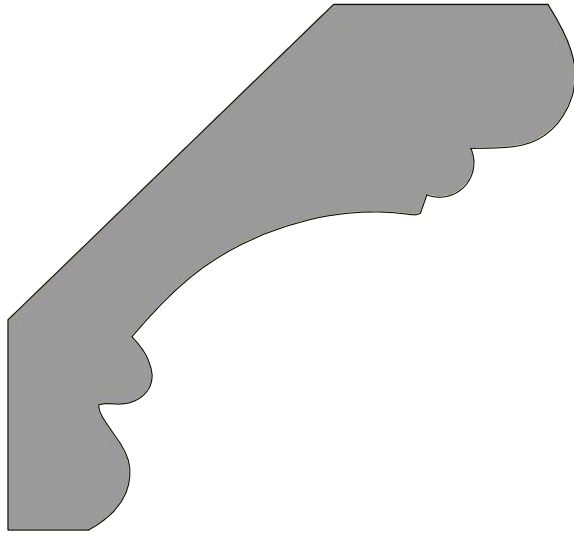


-285-

Back

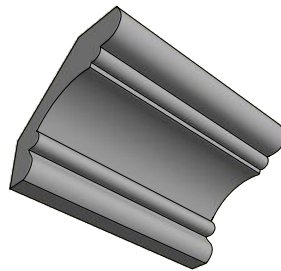
Scale 1 : 1

HOMESTEAD
WOODWORKS



A: 2 3/4"
B: 2 13/16"
C: 3 15/16"

6/4



Description
Crown Mould

Part Number
CRO-33

-286-

Back

Scale 1 : 1



HOMESTEAD
WOODWORKS

Description

Part Number

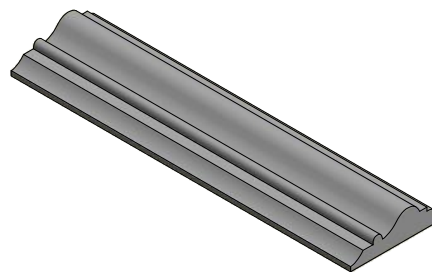
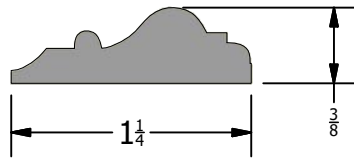
-287-

Back

Scale



HOMESTEAD
WOODWORKS



Description
Panel Mould

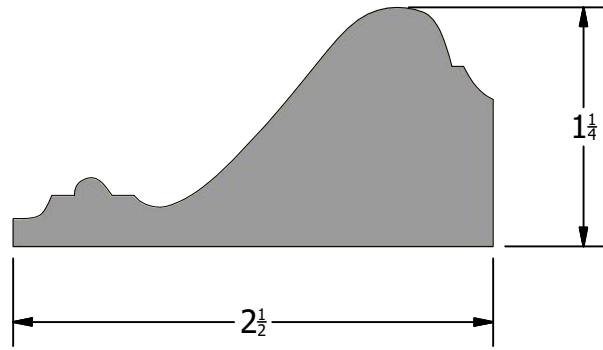
Part Number
Pan-01



-288-

Back

Scale 1 : 1



Description
Panel Mould

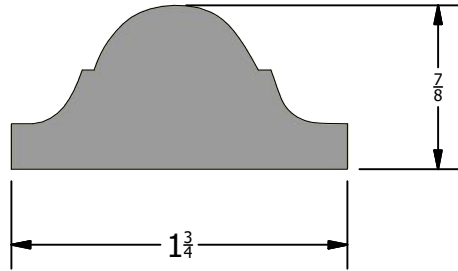
Part Number
Pan-02

-289-

Back

Scale 1 : 1

HOMESTEAD
WOODWORKS



Description
Panel Mould

Part Number
Pan-03

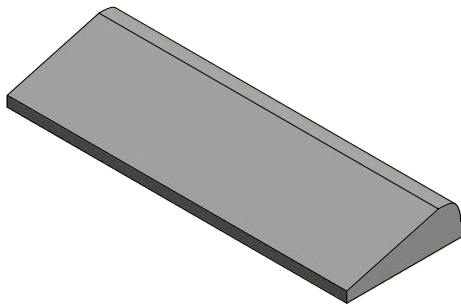
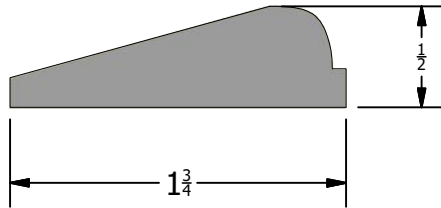
-290-

Back

Scale 1 : 1



HOMESTEAD
WOODWORKS



Description
Panel Mould

Part Number
Pan-04

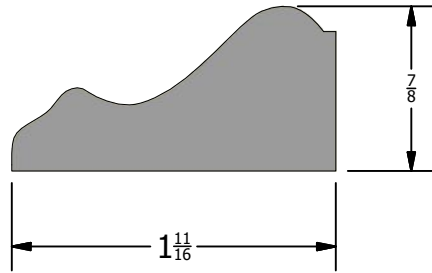
-291-

Back

Scale 1 : 1



HOMESTEAD
WOODWORKS



Description
Panel Mould

Part Number
Pan-05

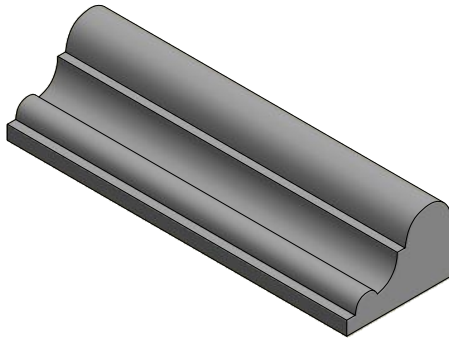
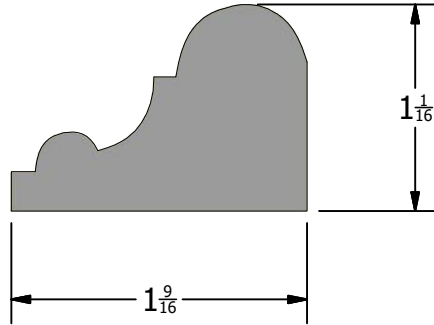
-292-

Back

Scale 1 : 1



HOMESTEAD
WOODWORKS



Description
Panel Mould

Part Number
Pan-06

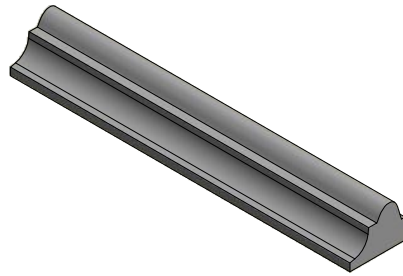
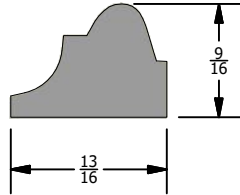
-293-

Back

Scale 1 : 1



HOMESTEAD
WOODWORKS



Description
Panel Mould

Part Number
Pan-07

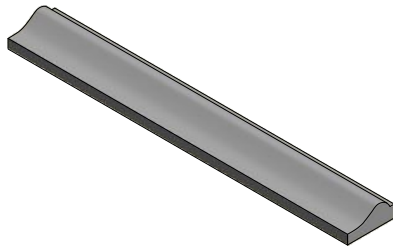
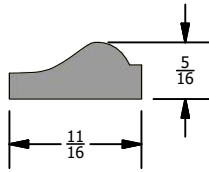
-294-

Back

Scale 1 : 1



HOMESTEAD
WOODWORKS



Description
Panel Mould

Part Number
Pan-08

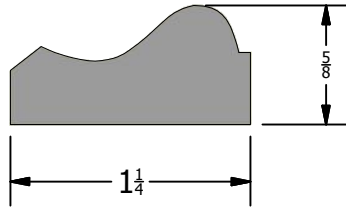
-295-

Back

Scale 1 : 1



HOMESTEAD
WOODWORKS



Description
Panel Mould

Part Number
Pan-09

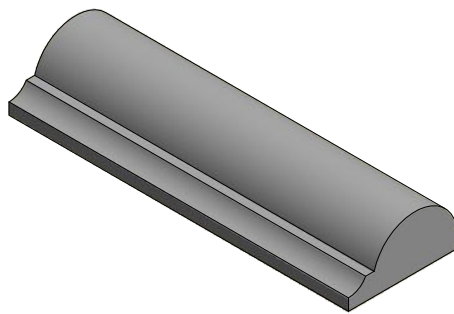
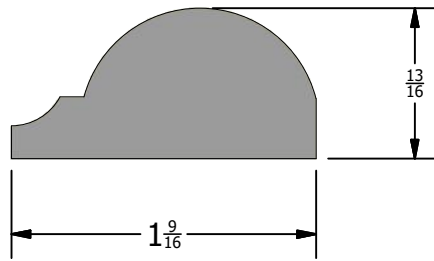


-296-

Back

Scale 1 : 1

HOMESTEAD
WOODWORKS



Description
Panel Mould

Part Number
Pan-10

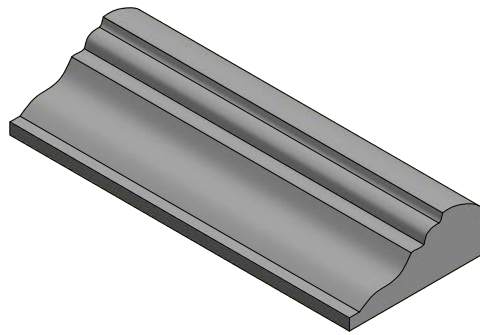
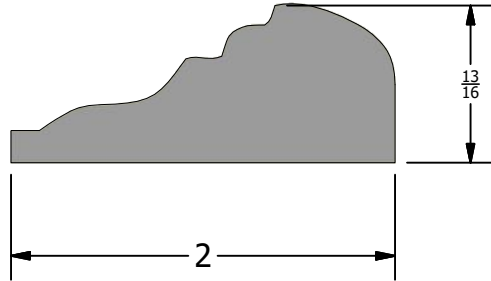
-297-

Back

Scale 1 : 1



HOMESTEAD
WOODWORKS



Description
Panel Mould

Part Number
Pan-11

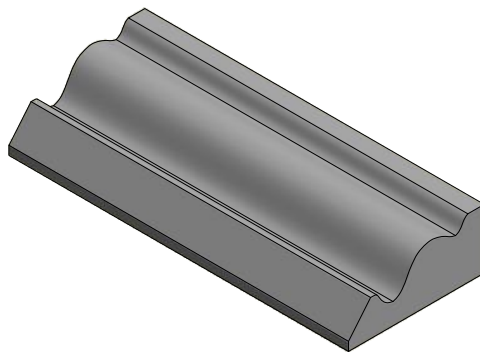
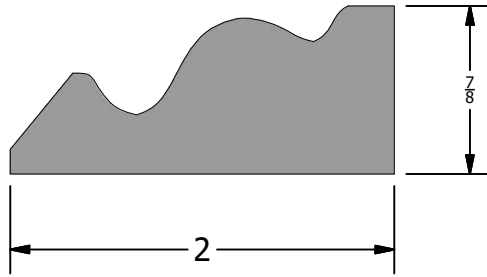
-298-

Back

Scale 1 : 1



HOMESTEAD
WOODWORKS



Description
Panel Mould

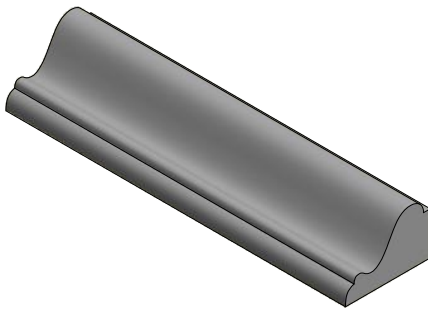
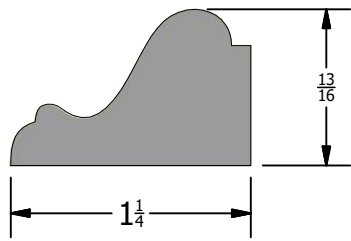
Part Number
Pan-12



-299-

Back

Scale 1 : 1



Description
Panel Mould

Part Number
Pan-13

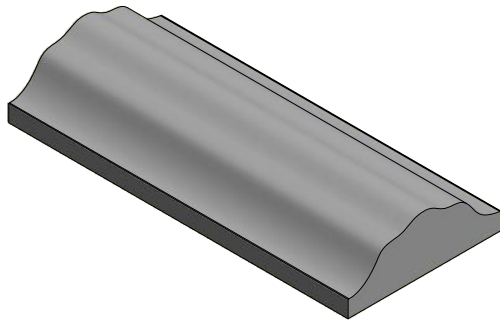
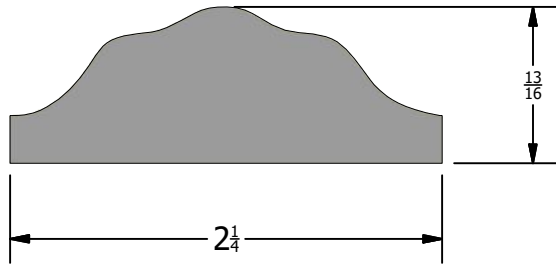
-300-

Back

Scale 1 : 1



HOMESTEAD
WOODWORKS



Description
Panel Mould

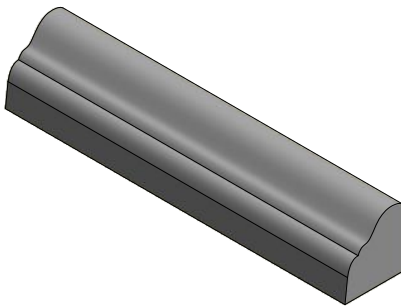
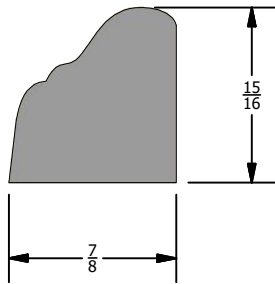
Part Number
Pan-14



-301-

Back

Scale 1 : 1



Description
Panel Mould

Part Number
Pan-15

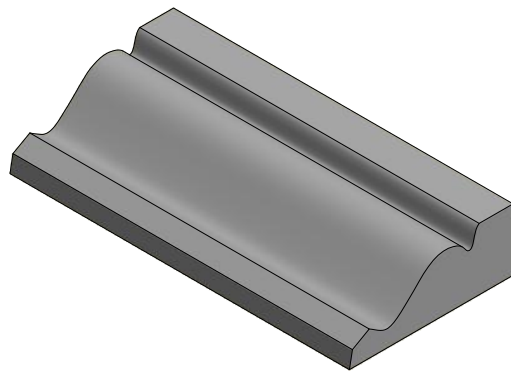
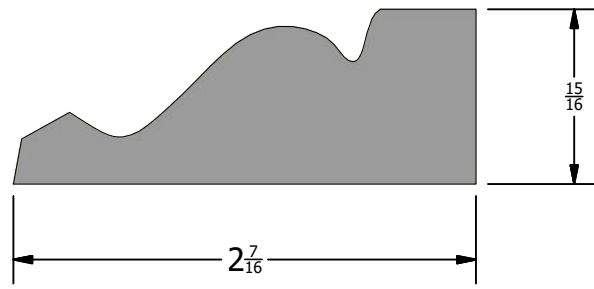
-302-

Back

Scale 1 : 1



HOMESTEAD
WOODWORKS



Description
Panel Mould

Part Number
Pan-16

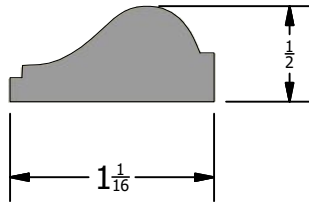
-303-

Back

Scale 1 : 1



HOMESTEAD
WOODWORKS



Description
Panel Mould

Part Number
Pan-17

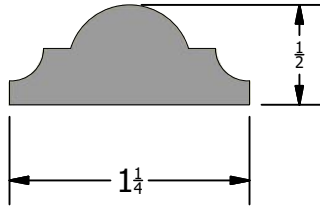
-304-

Back

Scale 1 : 1



HOMESTEAD
WOODWORKS



Description
Panel Mould

Part Number
Pan-18

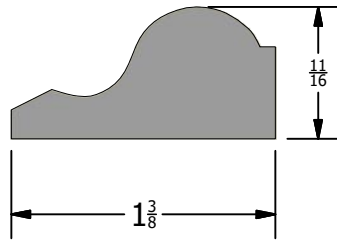
-305-

Back

Scale 1 : 1



HOMESTEAD
WOODWORKS



Description
Panel Mould

Part Number
Pan-19

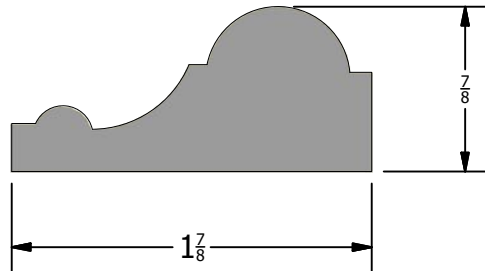
-306-

Back

Scale 1 : 1



HOMESTEAD
WOODWORKS



Description
Panel Mould

Part Number
Pan-20

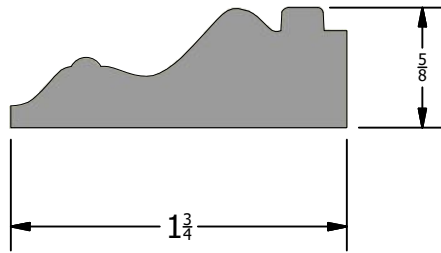
-307-

Back

Scale 1 : 1



HOMESTEAD
WOODWORKS



Description
Panel Mould

Part Number
Pan-21

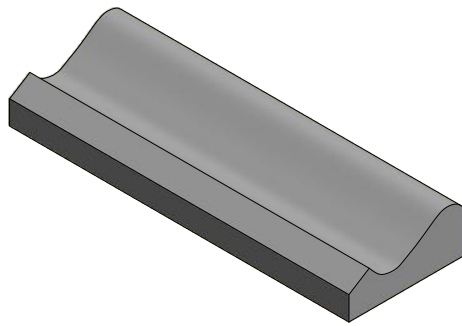
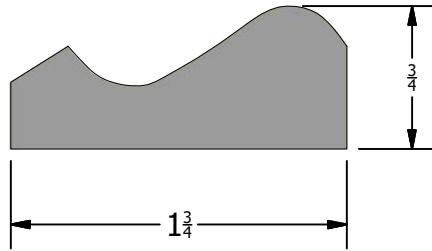
-308-

Back

Scale 1 : 1



HOMESTEAD
WOODWORKS



Description
Panel Mould

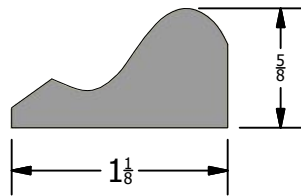
Part Number
Pan-22



-309-

Back

Scale 1 : 1



Description
Panel Mould

Part Number
Pan-23

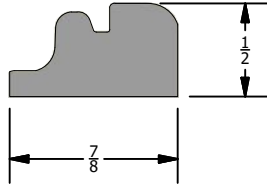
-310-

Back

Scale 1 : 1



HOMESTEAD
WOODWORKS



Description
Panel Mould

Part Number
Pan-24

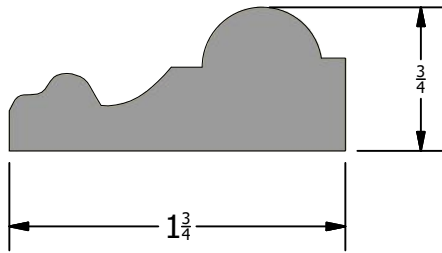
-311-

Back

Scale 1 : 1



HOMESTEAD
WOODWORKS



Description
Panel Mould

Part Number
Pan-25

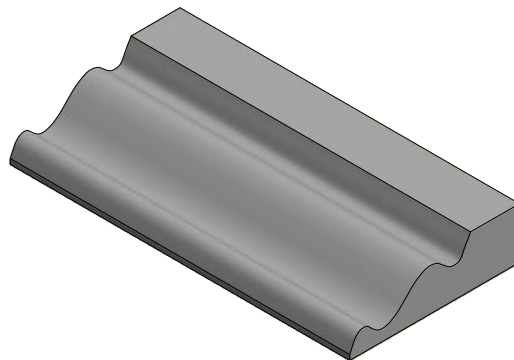
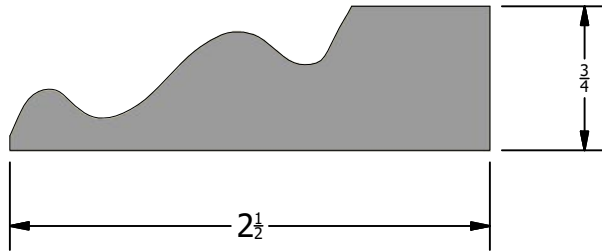
-312-

Back

Scale 1 : 1



HOMESTEAD
WOODWORKS



Description
Panel Mould

Part Number
Pan-26

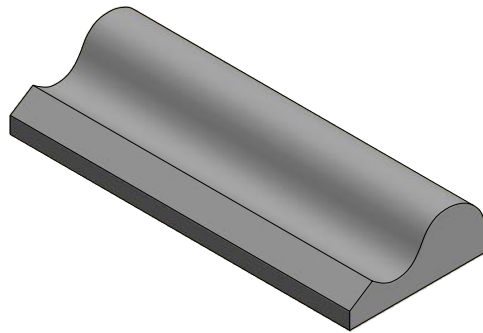
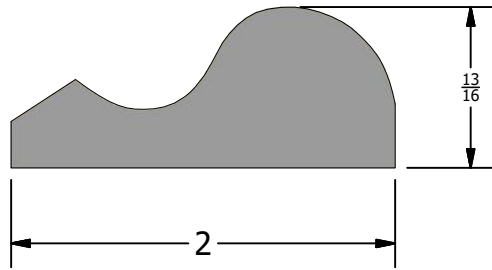
-313-

Back

Scale 1 : 1



HOMESTEAD
WOODWORKS



Description
Panel Mould

Part Number
Pan-27

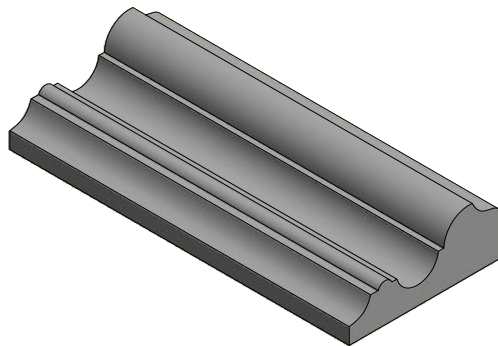
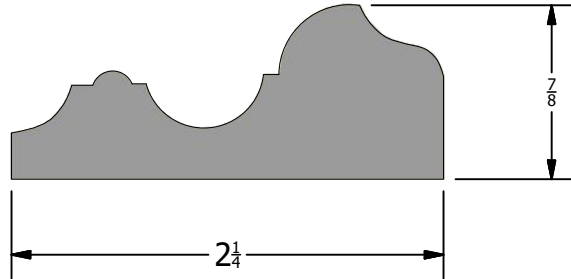
-314-

Back

Scale 1 : 1



HOMESTEAD
WOODWORKS



Description
Panel Mould

Part Number
Pan-28

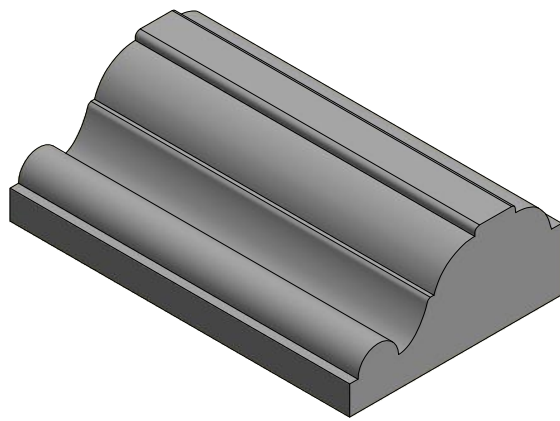
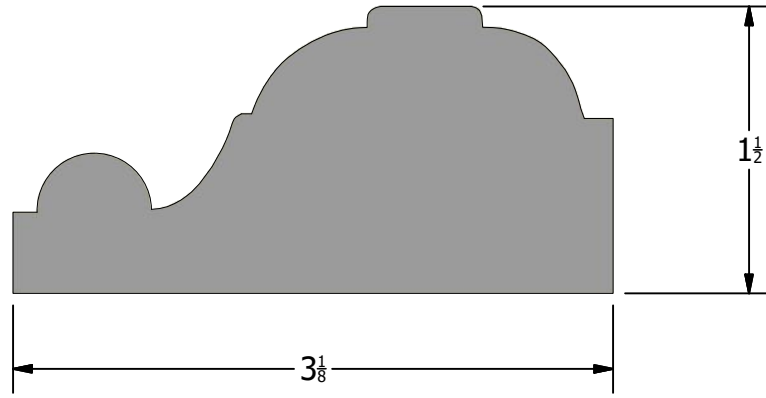
-315-

Back

Scale 1 : 1



HOMESTEAD
WOODWORKS



Description
Panel Mould

Part Number
Pan-29

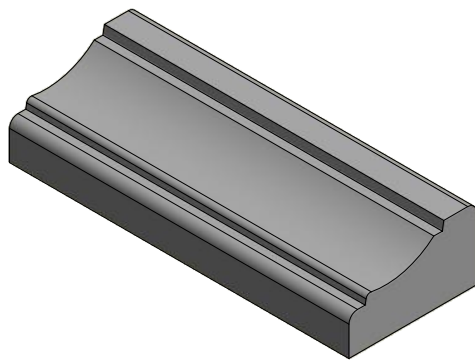
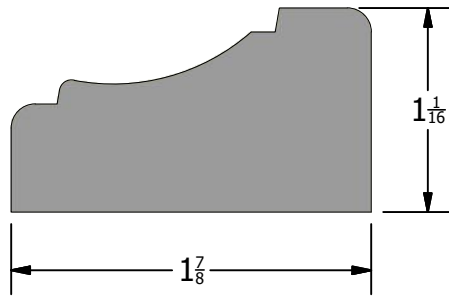
-316-

Back

Scale 1 : 1



HOMESTEAD
WOODWORKS



Description
Panel Mould

Part Number
Pan-30

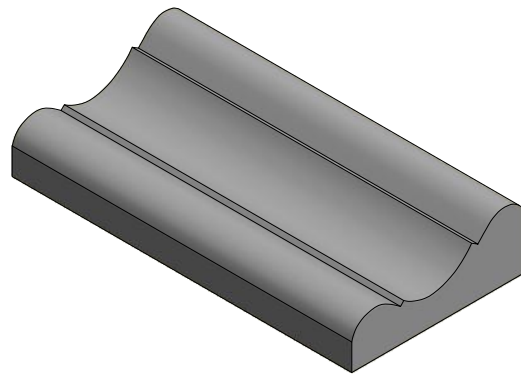
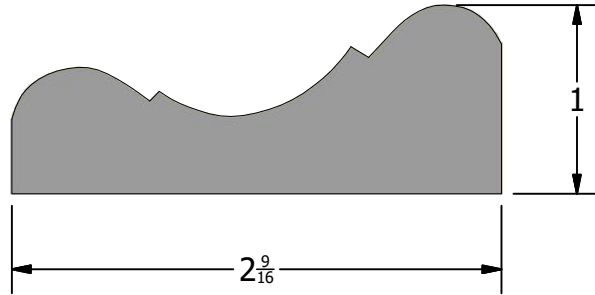
-317-

Back

Scale 1 : 1



HOMESTEAD
WOODWORKS



Description
Panel Mould

Part Number
Pan-31

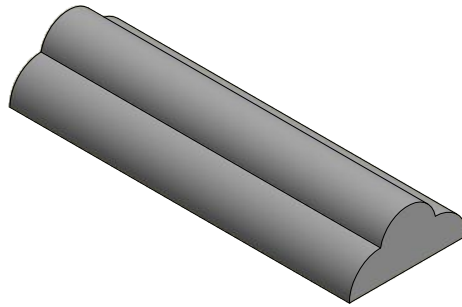
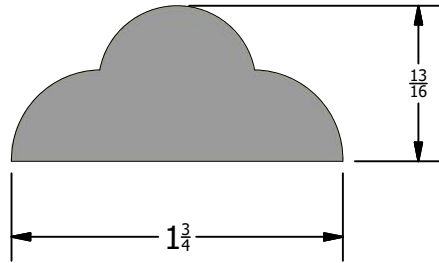
-318-

Back

Scale 1 : 1



HOMESTEAD
WOODWORKS



Description
Panel Mould

Part Number
Pan-32

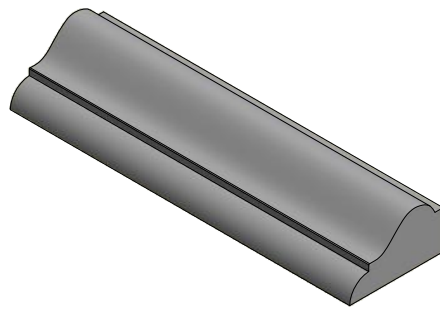
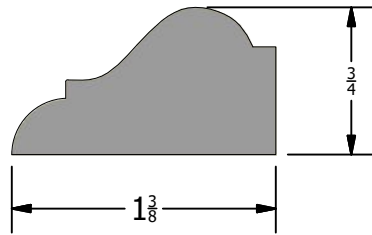
-319-

Back

Scale 1 : 1



HOMESTEAD
WOODWORKS



Description
Panel Mould

Part Number
Pan-33

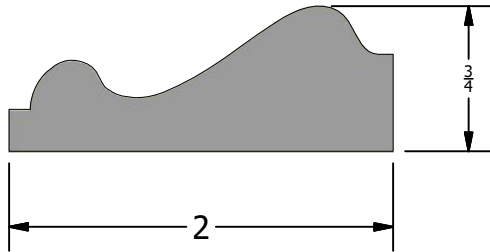
-320-

Back

Scale 1 : 1



HOMESTEAD
WOODWORKS



Description
Panel Mould

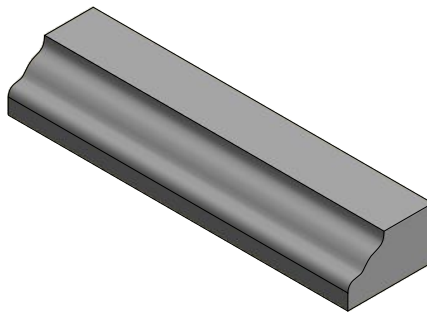
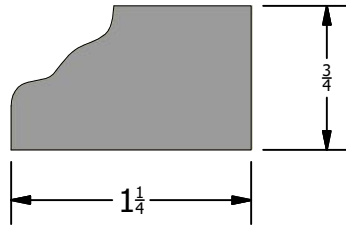
Part Number
Pan-34

-321-

Back

Scale 1 : 1

HOMESTEAD
WOODWORKS



Description
Panel Mould

Part Number
Pan-35

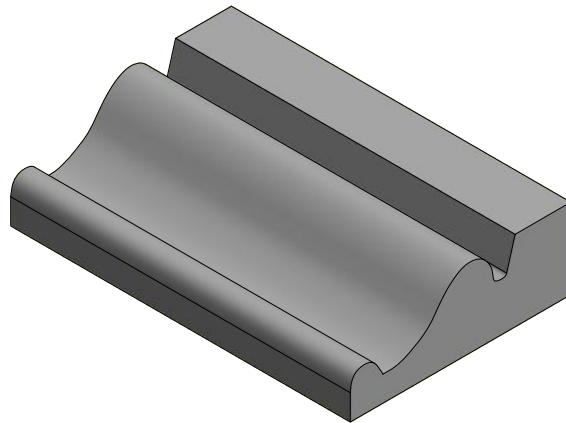
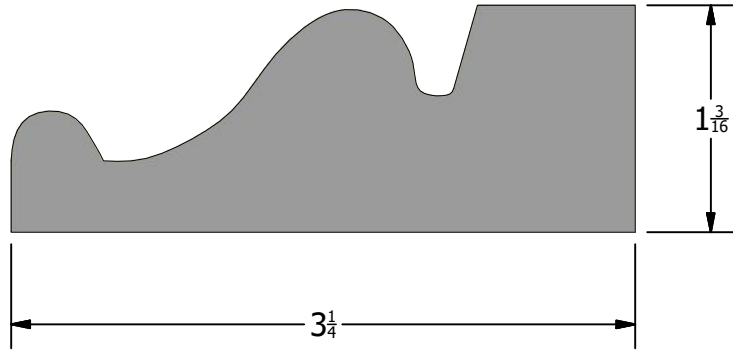
-322-

Back

Scale 1 : 1



HOMESTEAD
WOODWORKS



Description
Panel Mould

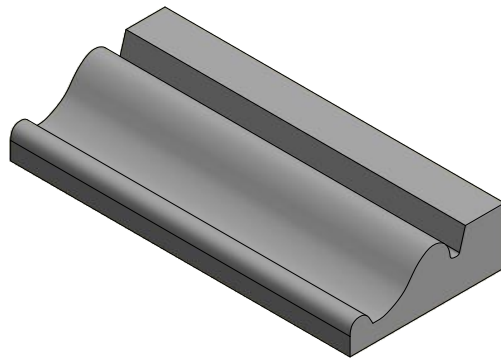
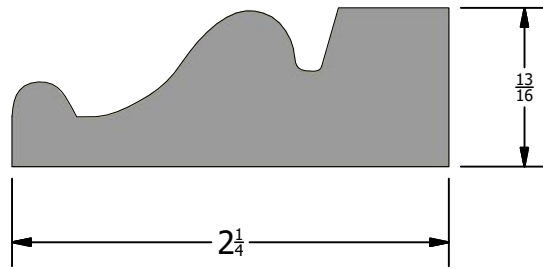
Part Number
Pan-36-A



-323-

Back

Scale 1 : 1



Description
Panel Mould

Part Number
Pan-36-B

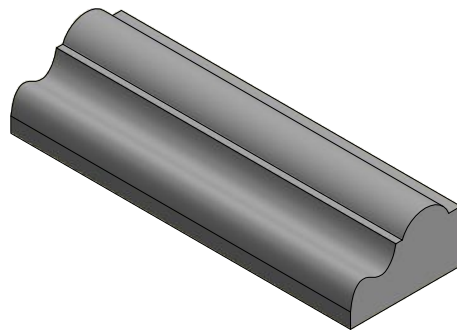
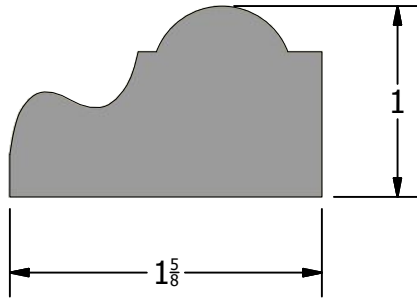
-324-

Back

Scale 1 : 1



HOMESTEAD
WOODWORKS



Description
Panel Mould

Part Number
Pan-37

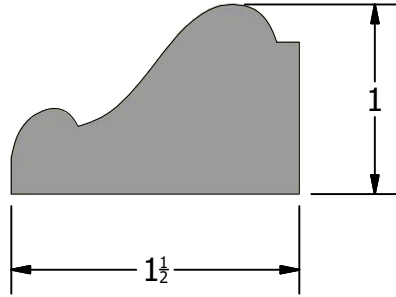
-325-

Back

Scale 1 : 1



HOMESTEAD
WOODWORKS



Description
Panel Mould

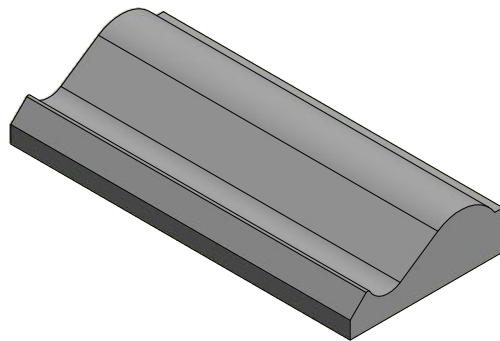
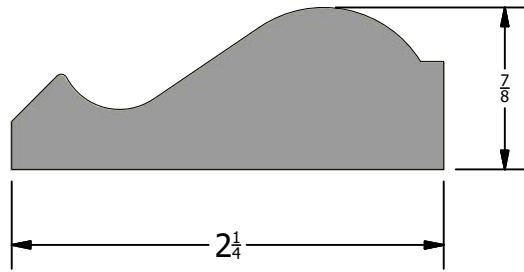
Part Number
Pan-38

-326-

Back

Scale 1 : 1





Description
Panel Mould

Part Number
Pan-39

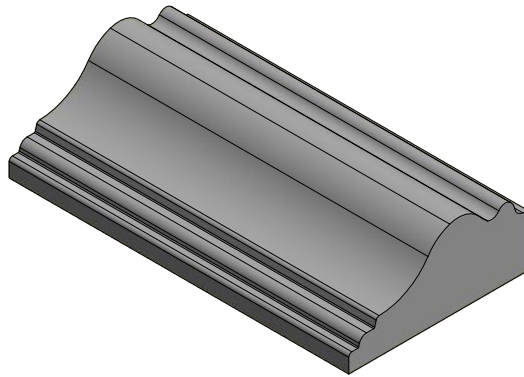
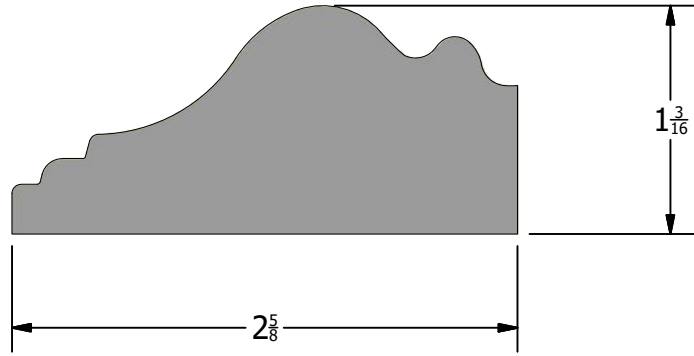
-327-

Back

Scale 1 : 1



HOMESTEAD
WOODWORKS



Description
Panel Mould

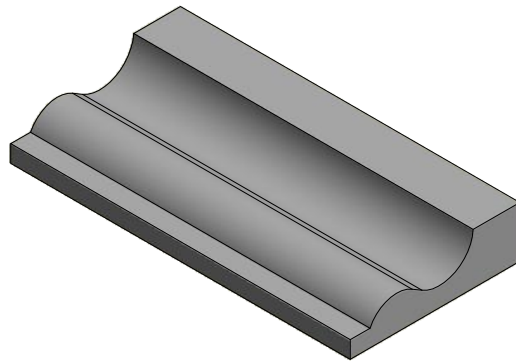
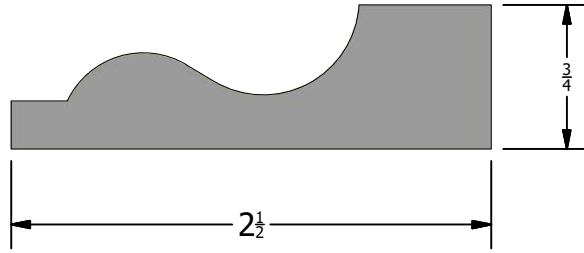
Part Number
Pan-40

-328-

Back

Scale 1 : 1

HOMESTEAD
WOODWORKS



Description
Panel Mould

Part Number
Pan-41

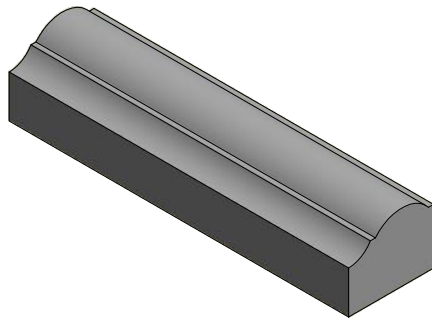
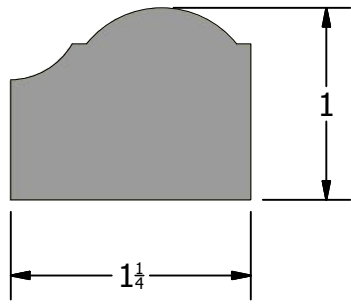
-329-

Back

Scale 1 : 1



HOMESTEAD
WOODWORKS



Description
Panel Mould

Part Number
Pan-42

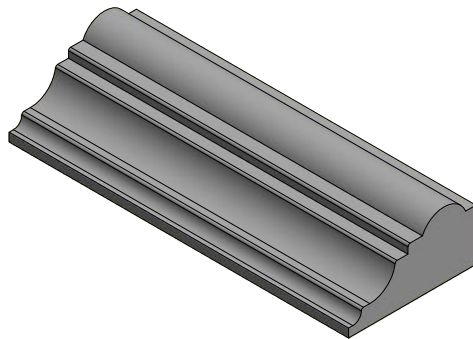
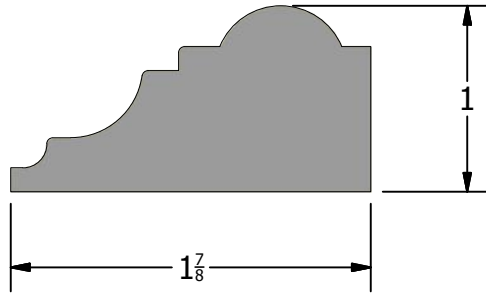
-330-

Back

Scale 1 : 1



HOMESTEAD
WOODWORKS



Description
Panel Mould

Part Number
Pan-43

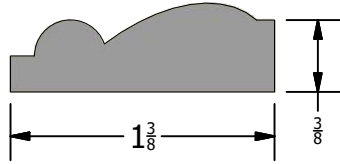
-331-

Back

Scale 1 : 1



HOMESTEAD
WOODWORKS



Description
Panel Mould

Part Number
Pan-44

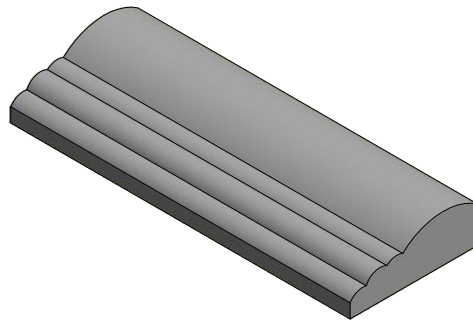
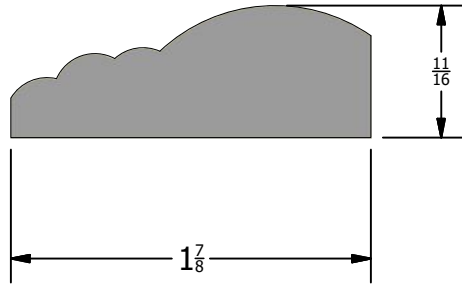
-332-

Back

Scale 1 : 1



HOMESTEAD
WOODWORKS



Description
Panel Mould

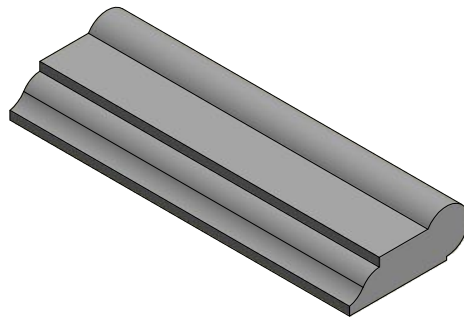
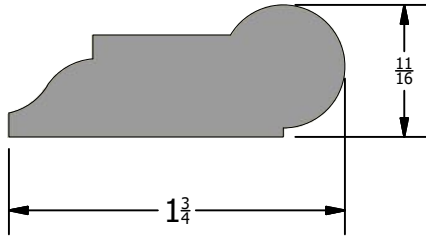
Part Number
Pan-45

-333-

Back

Scale 1 : 1

HOMESTEAD
WOODWORKS



Description
Panel Mould

Part Number
Pan-46

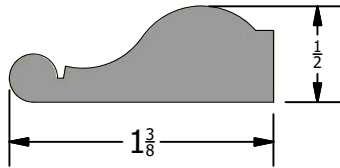
-334-

Back

Scale 1 : 1



HOMESTEAD
WOODWORKS



Description
Panel Mould

Part Number
Pan-47

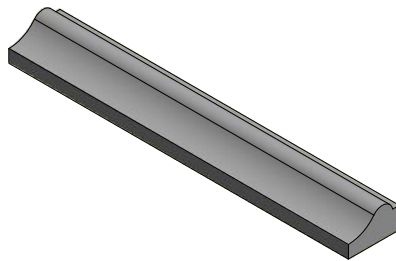
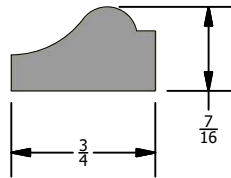
-335-

Back

Scale 1 : 1



HOMESTEAD
WOODWORKS



Description
Panel Mould

Part Number
Pan-48

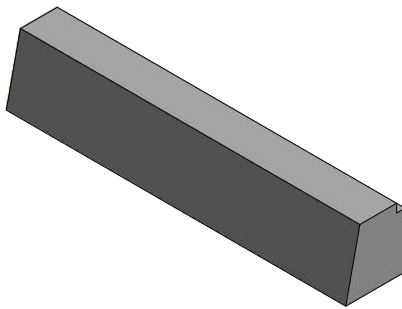
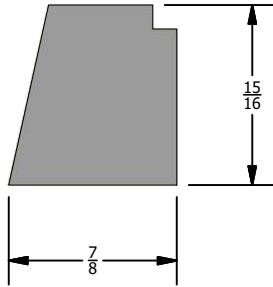
-336-

Back

Scale 1 : 1



HOMESTEAD
WOODWORKS



Description
Panel Mould

Part Number
Pan-49-A

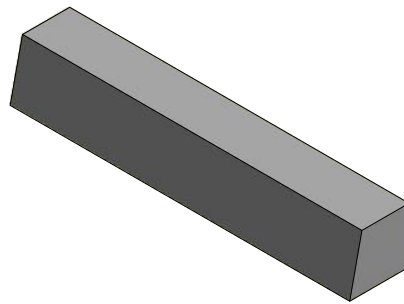
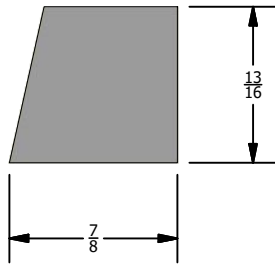
-337-

Back

Scale 1 : 1



HOMESTEAD
WOODWORKS



Description
Panel Mould

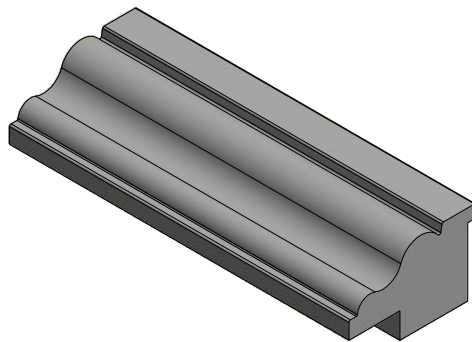
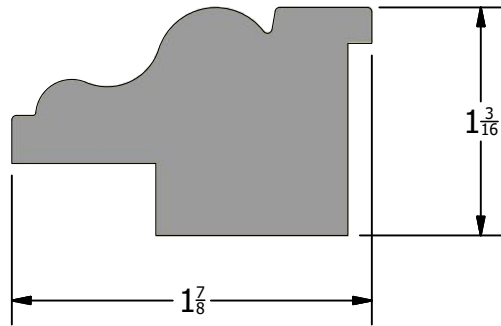
Part Number
Pan-49-B



-338-

Back

Scale 1 : 1



Description
Panel Mould

Part Number
Pan-50

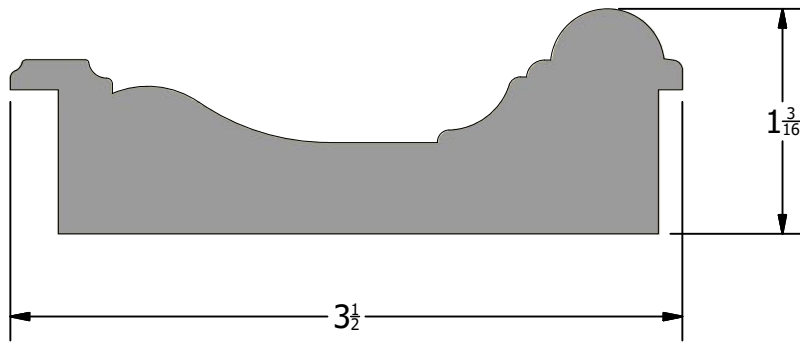
-339-

Back

Scale 1 : 1



HOMESTEAD
WOODWORKS



Description
Panel Mould

Part Number
Pan-51

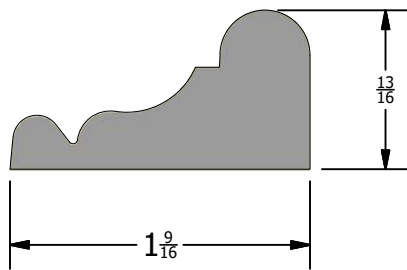
-340-

Back

Scale 1 : 1



HOMESTEAD
WOODWORKS



Description
Panel Mould

Part Number
Pan-52

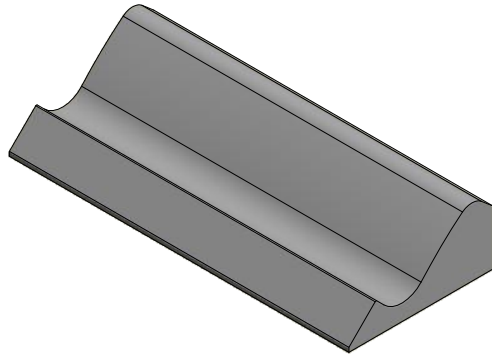
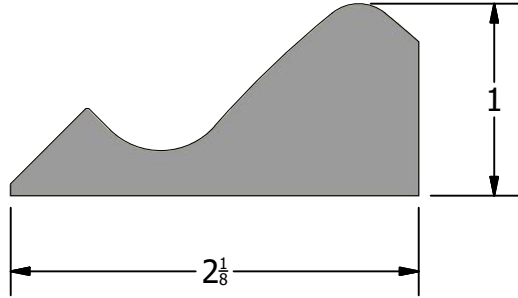
-341-

Back

Scale 1 : 1



HOMESTEAD
WOODWORKS



Description
Panel Mould

Part Number
Pan-53

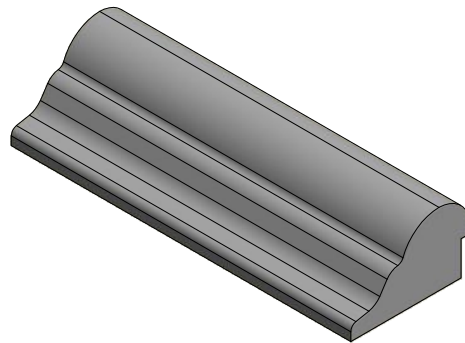
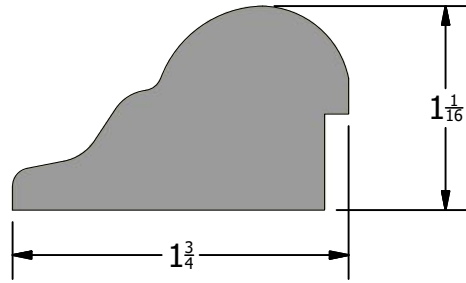
-342-

Back

Scale 1 : 1



HOMESTEAD
WOODWORKS



Description
Panel Mould

Part Number
Pan-54

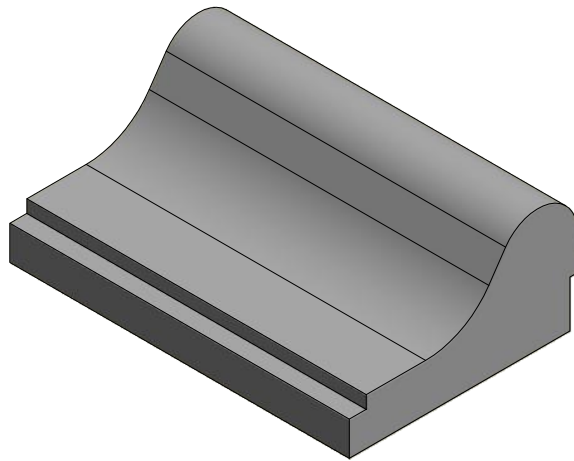
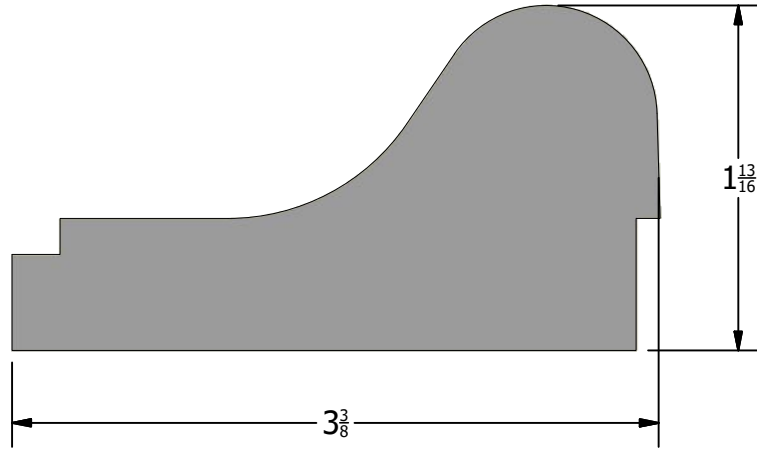
-343-

Back

Scale 1 : 1



HOMESTEAD
WOODWORKS



Description
Panel Mould

Part Number
Pan-55

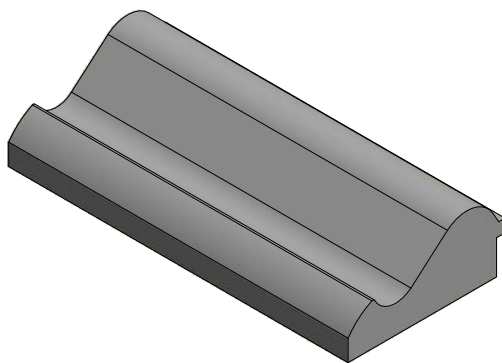
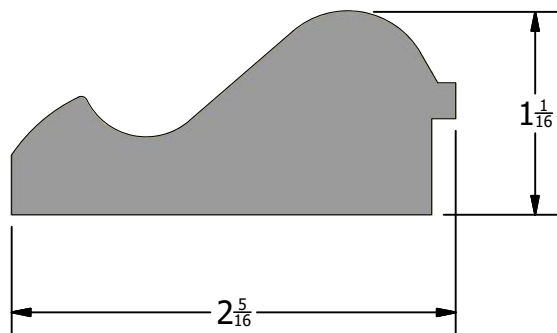
-344-

Back

Scale 1 : 1



HOMESTEAD
WOODWORKS



Description
Panel Mould

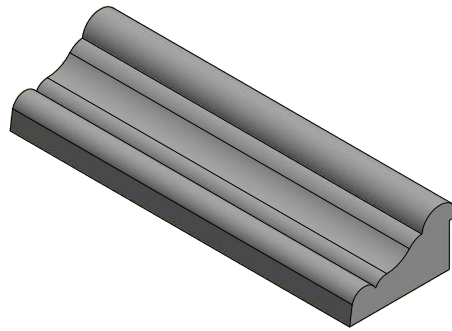
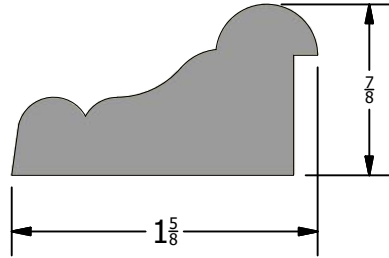
Part Number
Pan-56



-345-

Back

Scale 1 : 1



Description
Panel Mould

Part Number
Pan-57

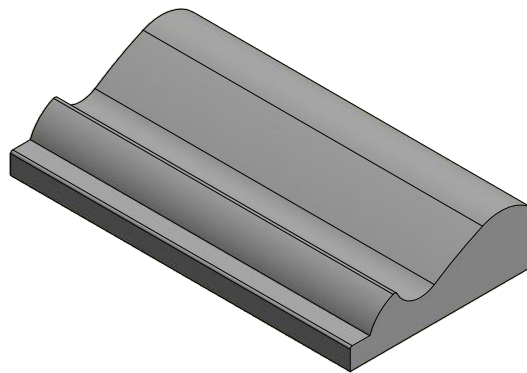
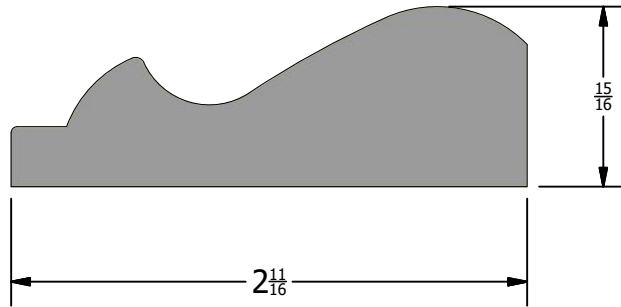
-346-


Back

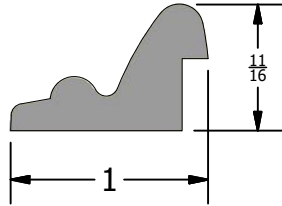
Scale 1 : 1



HOMESTEAD
WOODWORKS



Description Panel Mould		Part Number Pan-58	 HOMESTEAD WOODWORKS
-347-	Back	Scale 1 : 1	



Description
Panel Mould

Part Number
Pan-59

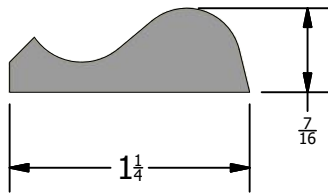
-348-

Back

Scale 1 : 1



HOMESTEAD
WOODWORKS



Description
Panel Mould

Part Number
Pan-60

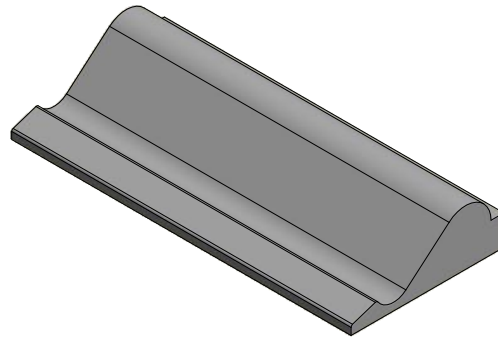
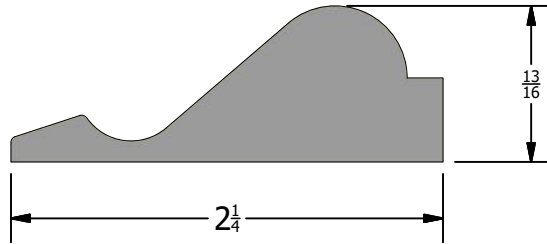
-349-

Back

Scale 1 : 1



HOMESTEAD
WOODWORKS



Description
Panel Mould

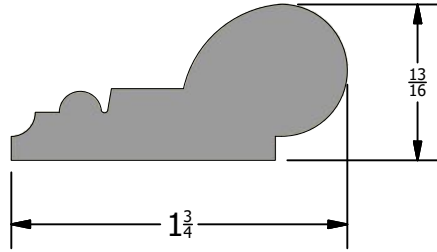
Part Number
Pan-61



-350-

Back

Scale 1 : 1



Description
Panel Mould

Part Number
Pan-62

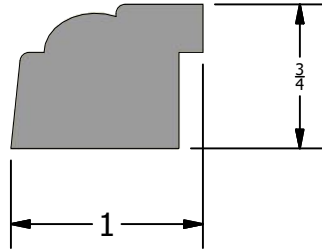
-351-

Back

Scale 1 : 1



HOMESTEAD
WOODWORKS



Description
Panel Mould

Part Number
Pan-63

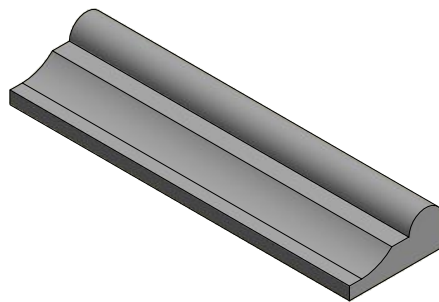
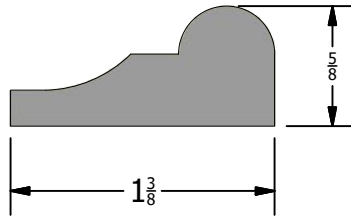
-352-

Back

Scale 1 : 1



HOMESTEAD
WOODWORKS



Description
Panel Mould

Part Number
Pan-64

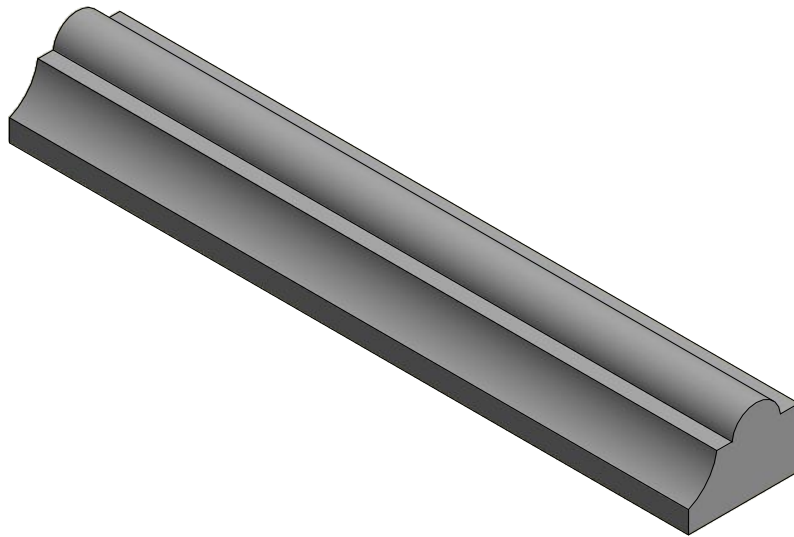
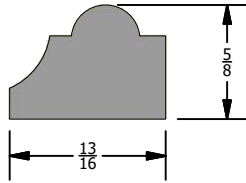
-353-

Back

Scale 1 : 1



HOMESTEAD
WOODWORKS



Description
Panel Mould

Part Number
Pan-65-A

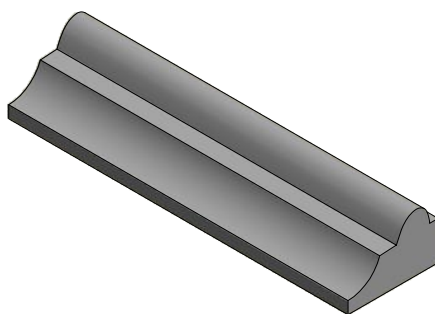
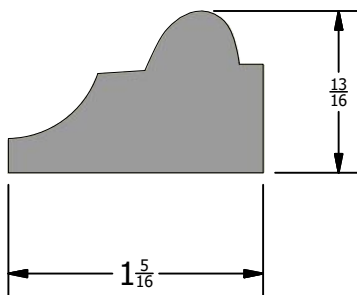
-354-

Back

Scale 1 : 1



HOMESTEAD
WOODWORKS



Description
Panel Mould

Part Number
Pan-65-B

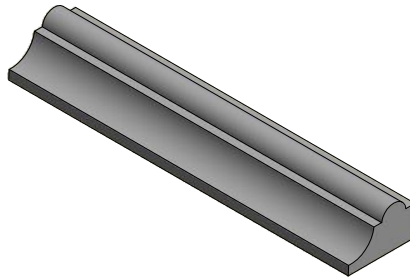
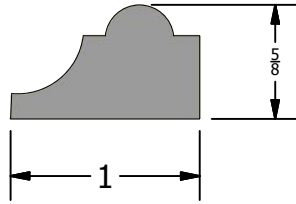
-355-

Back

Scale 1 : 1



HOMESTEAD
WOODWORKS



Description
Panel Mould

Part Number
Pan-65-C

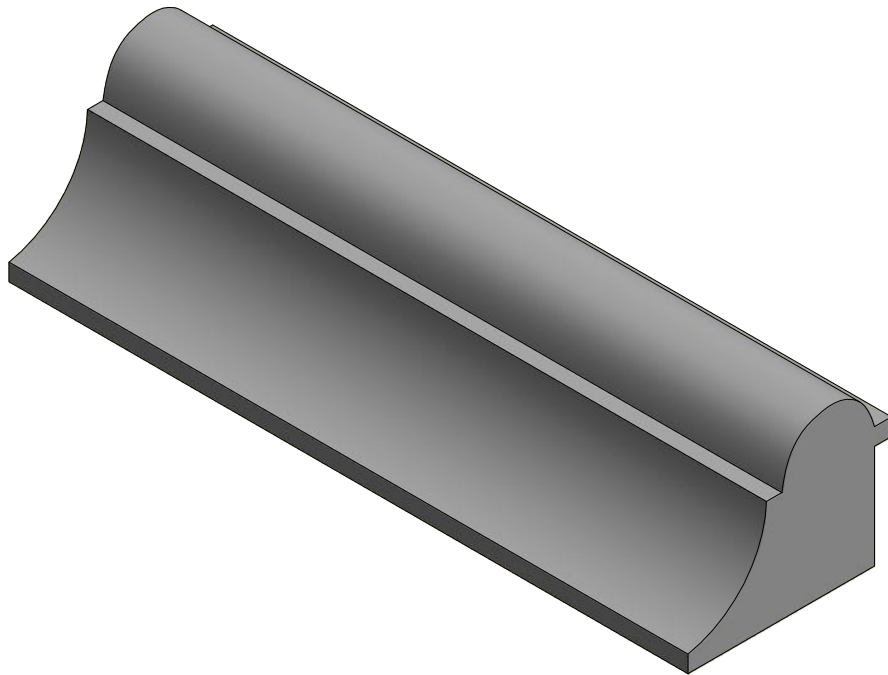
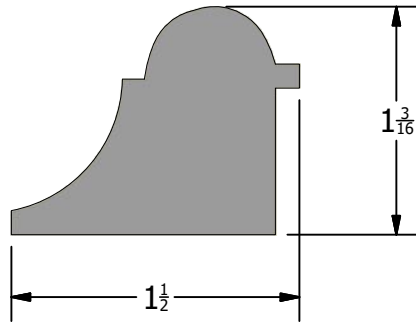
-356-

Back

Scale 1 : 1



HOMESTEAD
WOODWORKS



Description
Panel Mould

Part Number
Pan-66

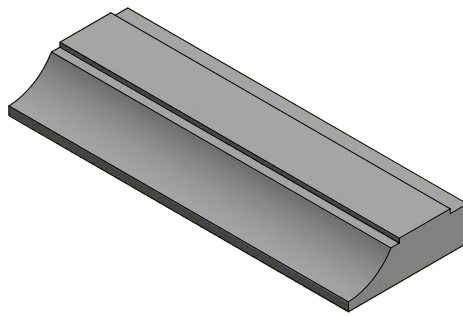
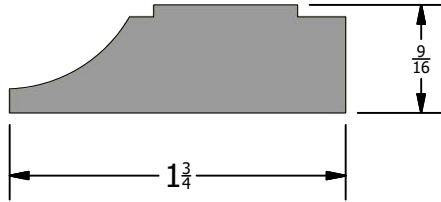
-357-

Back

Scale 1 : 1



HOMESTEAD
WOODWORKS



Description
Panel Mould

Part Number
Pan-67

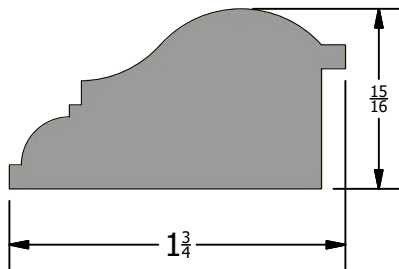
-358-

Back

Scale 1 : 1



HOMESTEAD
WOODWORKS



Description
Panel Mould

Part Number
Pan-68

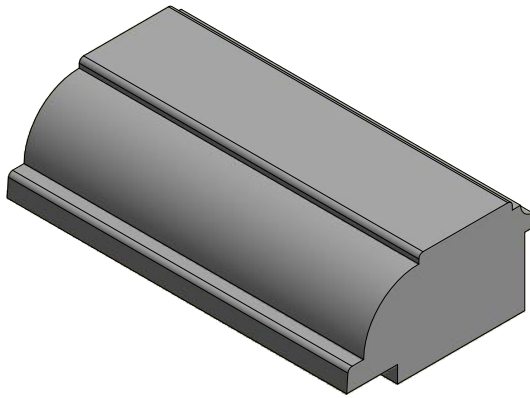
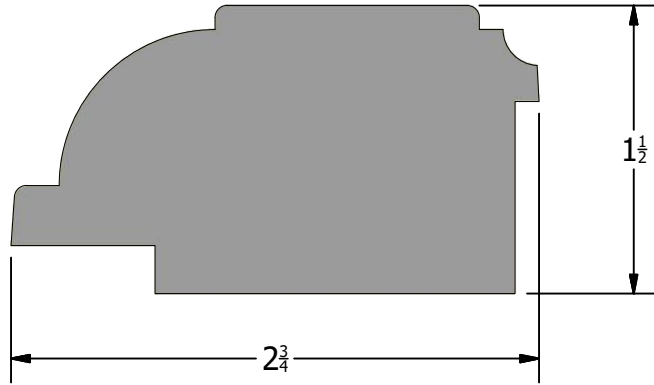
-359-

Back

Scale 1 : 1



HOMESTEAD
WOODWORKS



Description
Panel Mould

Part Number
Pan-69

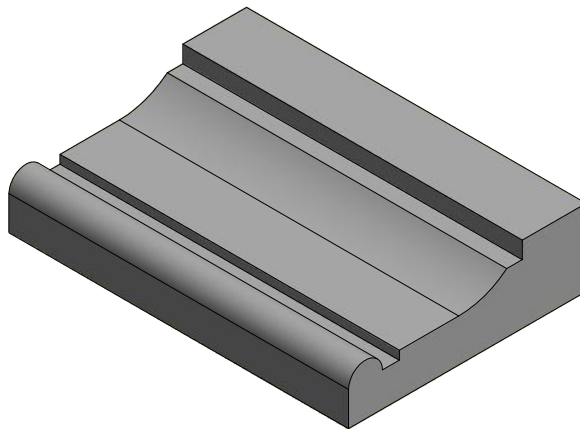
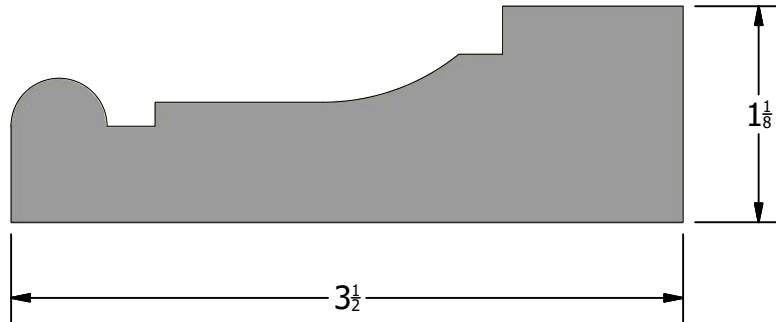
-360-


Back

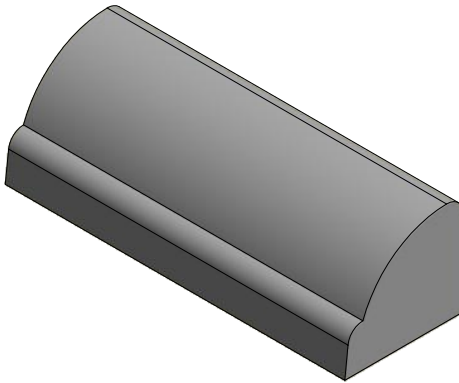
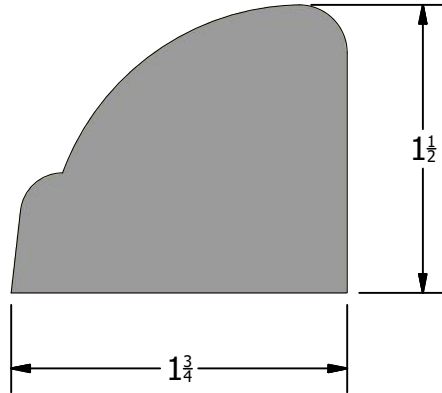
Scale 1 : 1



HOMESTEAD
WOODWORKS



Description Panel Mould		Part Number Pan-70	 HOMESTEAD WOODWORKS
-361-	Back	Scale 1 : 1	



Description
Panel Mould

Part Number
Pan-71

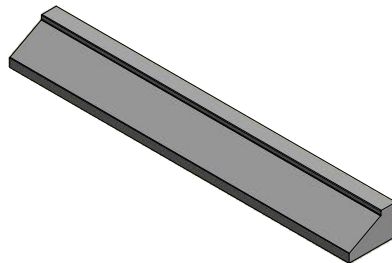
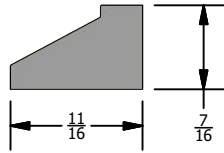
-362-

Back

Scale 1 : 1



HOMESTEAD
WOODWORKS



Description
Panel Mould

Part Number
Pan-72

-363-

Back

Scale 1 : 1



HOMESTEAD
WOODWORKS

Description

Part Number

-364-

Back

Scale



HOMESTEAD
WOODWORKS

Description

Part Number

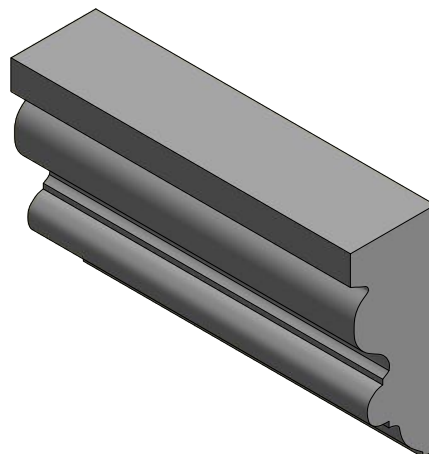
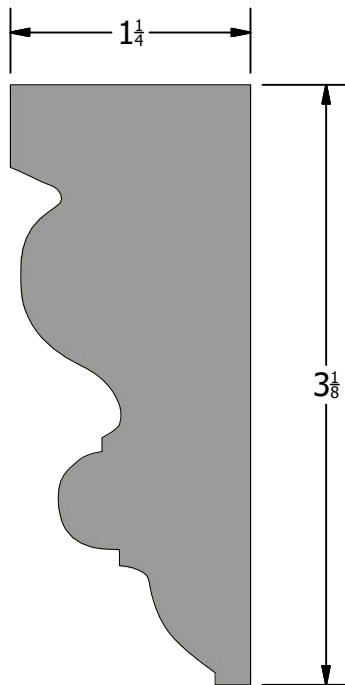
-365-

Back

Scale



HOMESTEAD
WOODWORKS



Description
Chair Rail

Part Number
Cha-01

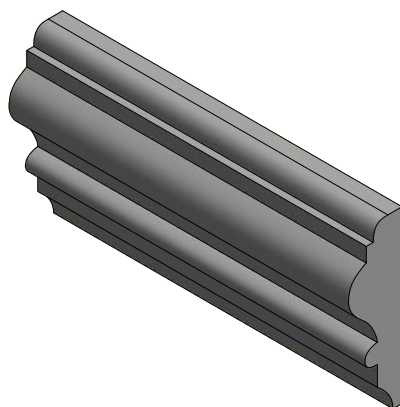
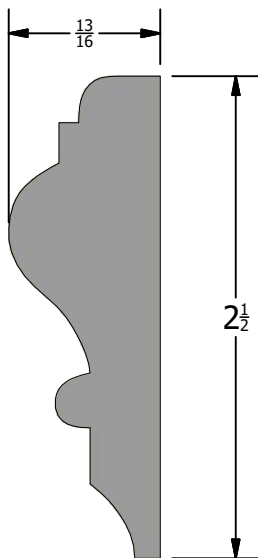
-366-

Back

Scale 1 : 1



HOMESTEAD
WOODWORKS



Description
Chair Rail

Part Number
Cha-02

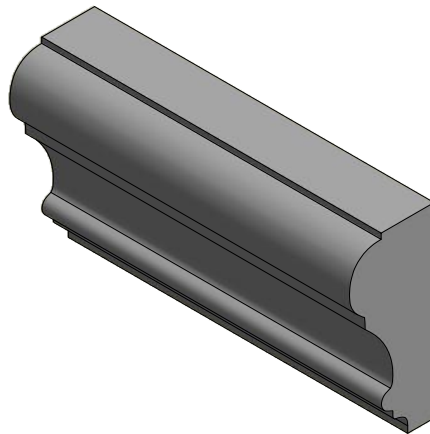
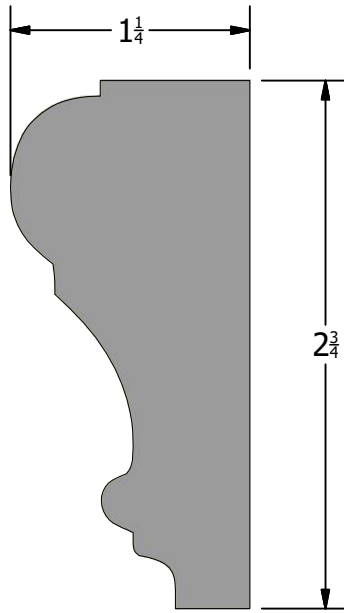
-367-

Back

Scale 1 : 1



HOMESTEAD
WOODWORKS



Description
Chair Rail

Part Number
Cha-03

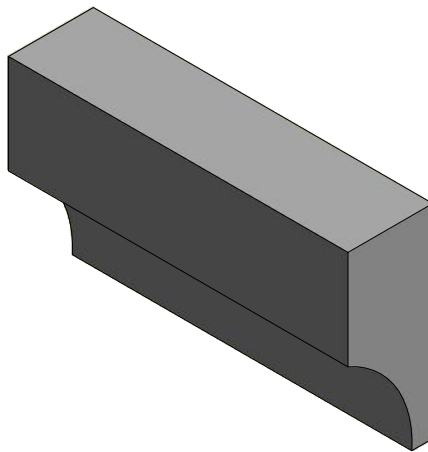
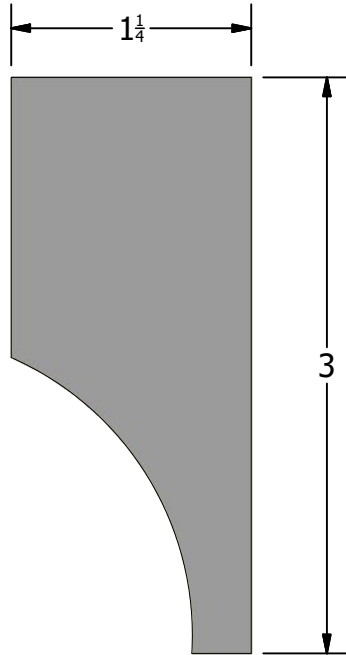
-368-

Back

Scale 1 : 1



HOMESTEAD
WOODWORKS



Description
Chair Rail

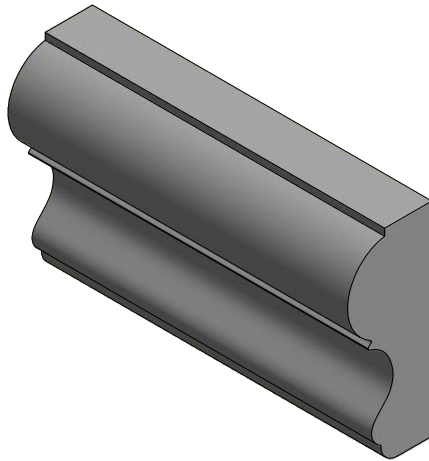
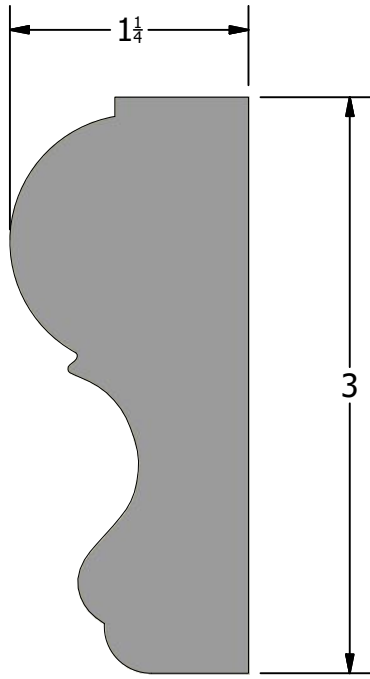
Part Number
Cha-04



-369-

Back

Scale 1 : 1



Description
Chair Rail

Part Number
Cha-05

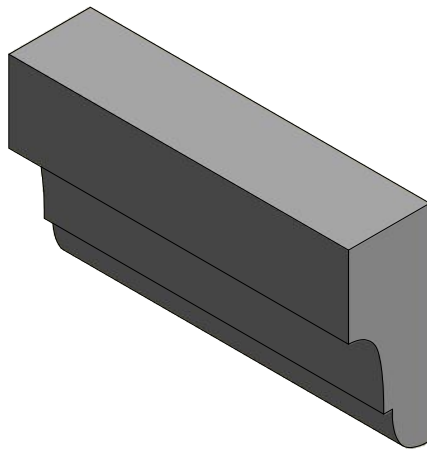
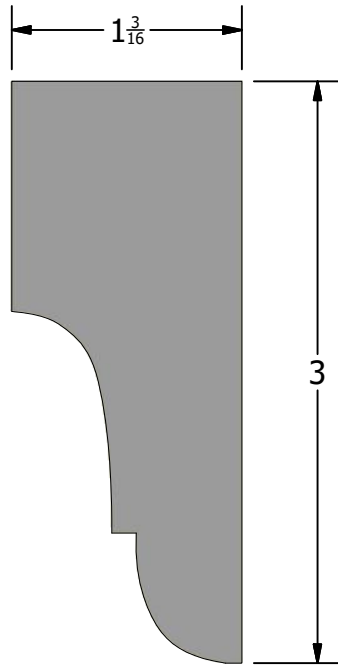
-370-

Back

Scale 1 : 1



HOMESTEAD
WOODWORKS



Description
Chair Rail

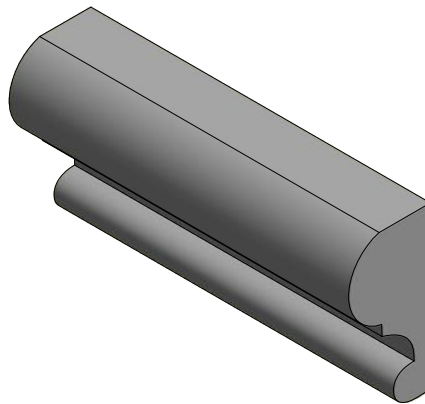
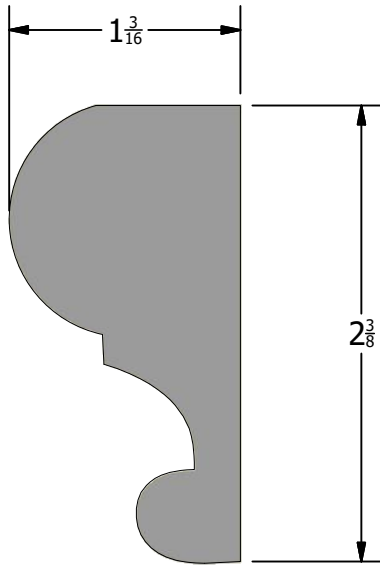
Part Number
Cha-06



-371-

Back

Scale 1 : 1



Description
Chair Rail

Part Number
Cha-07

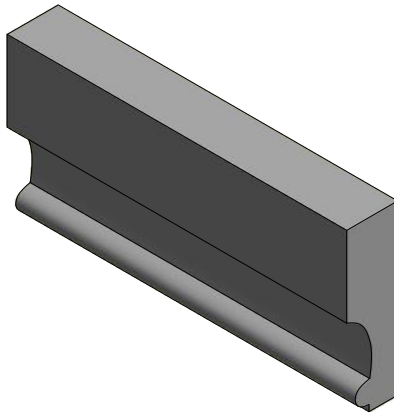
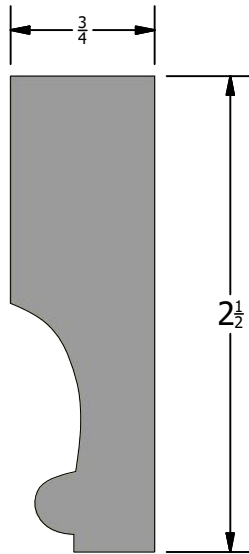
-372-

Back

Scale 1 : 1



HOMESTEAD
WOODWORKS



Description
Chair Rail

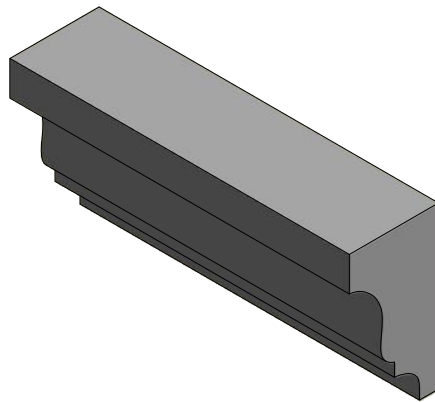
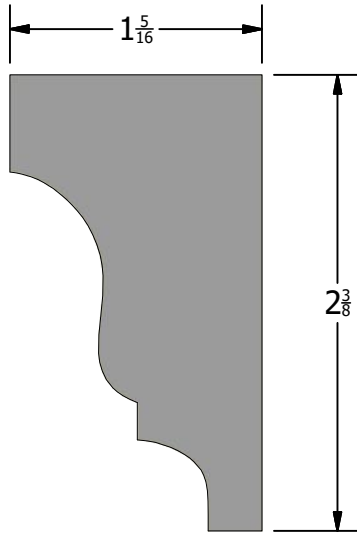
Part Number
Cha-08

-373-

Back

Scale 1 : 1

HOMESTEAD
WOODWORKS



Description
Chair Rail

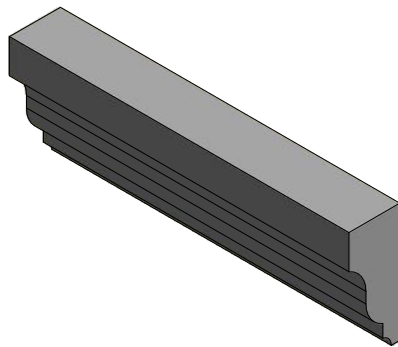
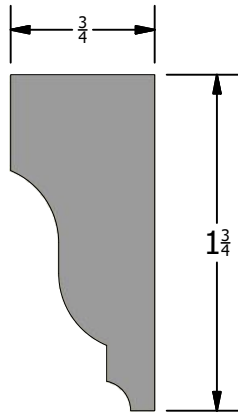
Part Number
Cha-09-A

-374-

Back

Scale 1 : 1

HOMESTEAD
WOODWORKS



Description
Chair Rail

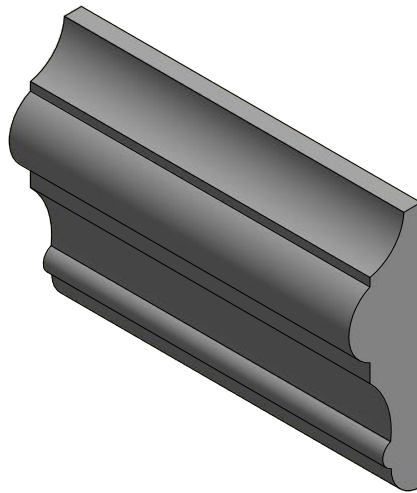
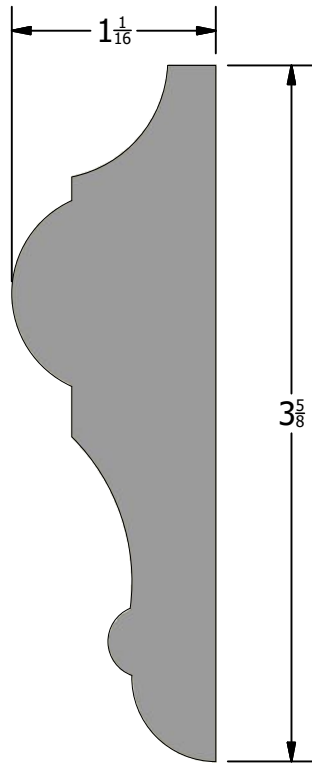
Part Number
Cha-9-B

-375-

Back

Scale 1 : 1

HOMESTEAD
WOODWORKS



Description
Chair Rail

Part Number
Cha-10



-376-

Back

Scale 1 : 1

Description

Part Number

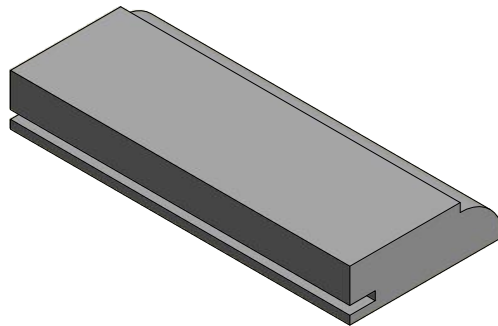
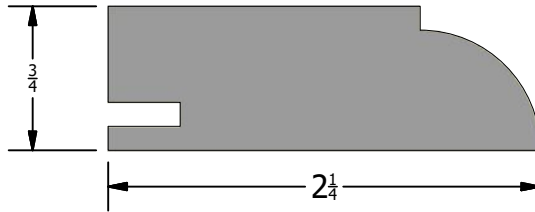
-377-

Back

Scale



HOMESTEAD
WOODWORKS



Description
Door Stop

Part Number
DS-E-01

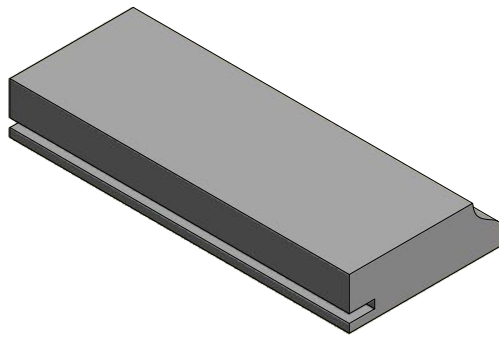
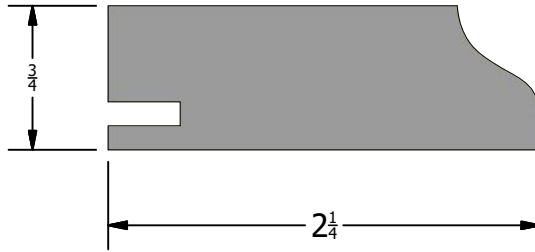
-378-

Back

Scale 1 : 1



HOMESTEAD
WOODWORKS



Description
Door Stop

Part Number
DS-E-02

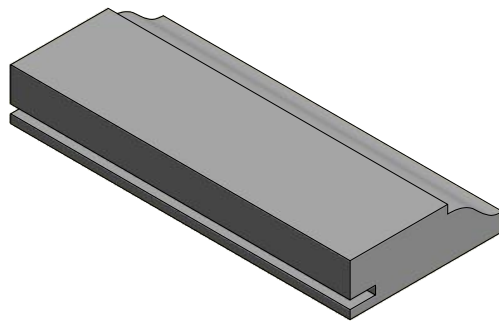
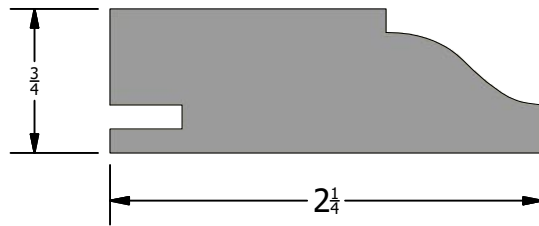
-379-

Back

Scale 1 : 1



HOMESTEAD
WOODWORKS



Description
Door Stop

Part Number
DS-E-03

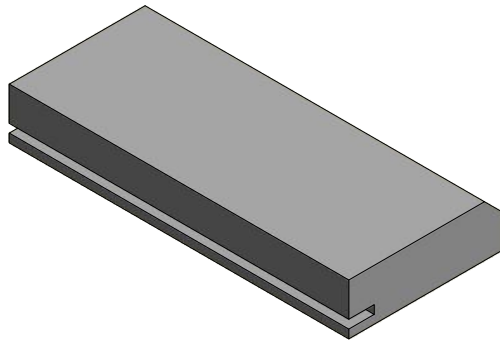
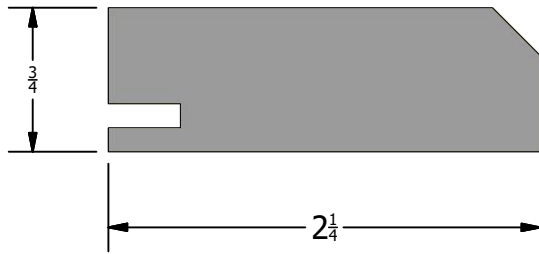
-380-

Back

Scale 1 : 1



HOMESTEAD
WOODWORKS



Description
Door Stop

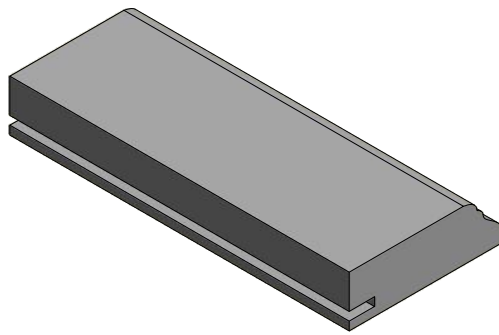
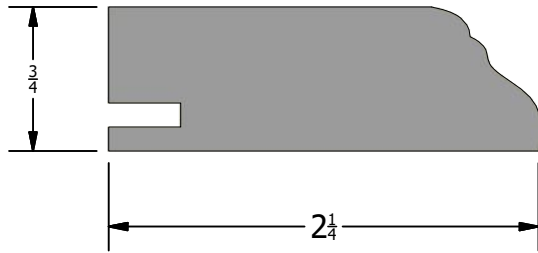
Part Number
DS-E-04



-381-

Back

Scale 1 : 1



Description
Door Stop

Part Number
DS-E-05

-382-

Back

Scale 1 : 1



HOMESTEAD
WOODWORKS

Description

Part Number

-383-

Back



HOMESTEAD
WOODWORKS

Description

Part Number

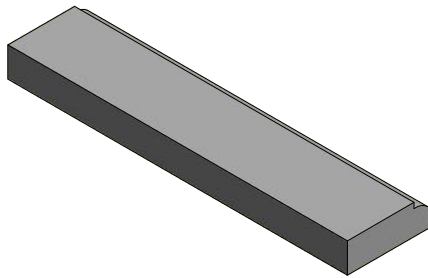
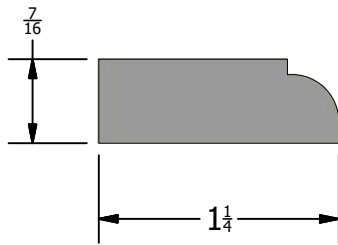
-384-

Back

Scale



HOMESTEAD
WOODWORKS



Description
Door Stop

Part Number
DS-I-01

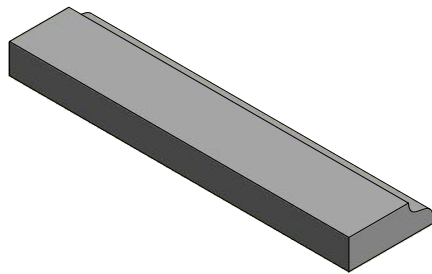
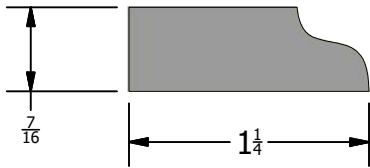
-385-

Back

Scale 1 : 1



HOMESTEAD
WOODWORKS



Description
Door Stop

Part Number
DS-I-02

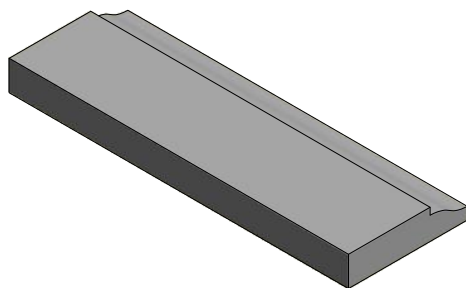
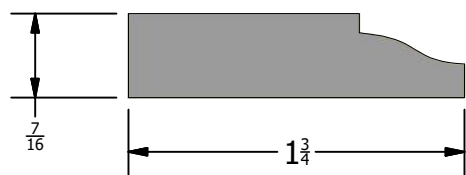
-386-

Back

Scale 1 : 1



HOMESTEAD
WOODWORKS



Description
Door Stop

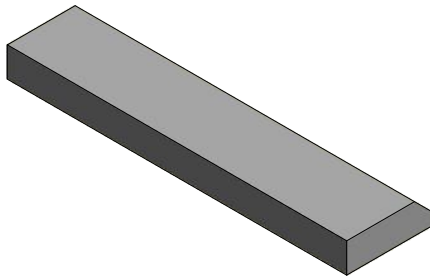
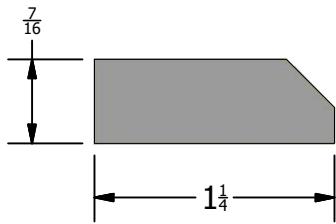
Part Number
DS-I-03

-387-

Back

Scale 1 : 1

HOMESTEAD
WOODWORKS



Description
Door Stop

Part Number
DS-I-04

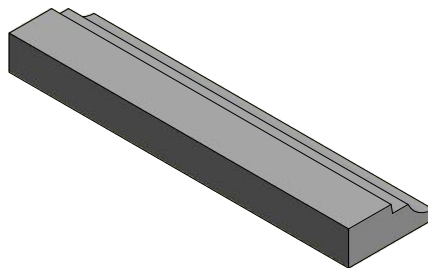
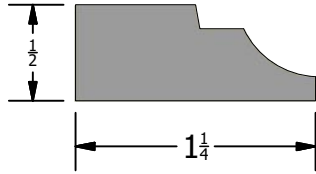
-388-

Back

Scale 1 : 1



HOMESTEAD
WOODWORKS



Description
Door Stop

Part Number
DS-I-05

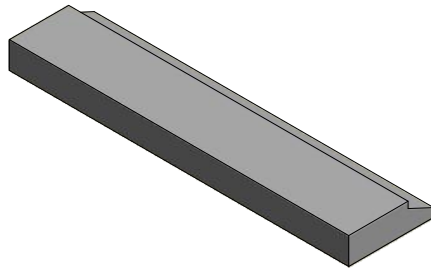
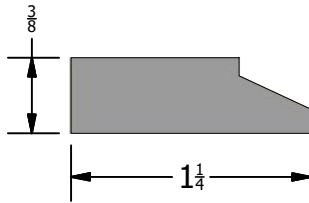
-389-

Back

Scale 1 : 1



HOMESTEAD
WOODWORKS



Description
Door Stop

Part Number
DS-I-06

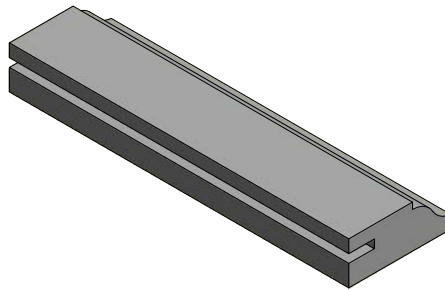
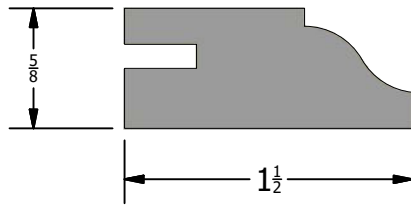
-390-

Back

Scale 1 : 1



HOMESTEAD
WOODWORKS



Description
Door Stop

Part Number
DS-I-07

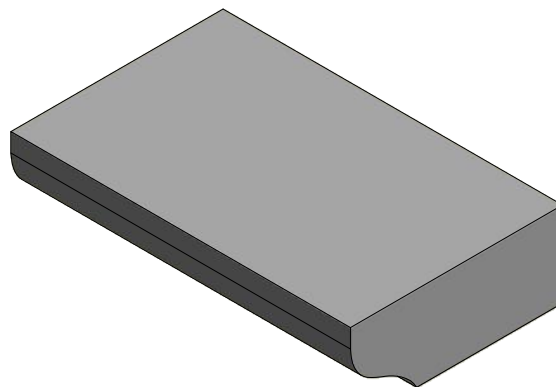
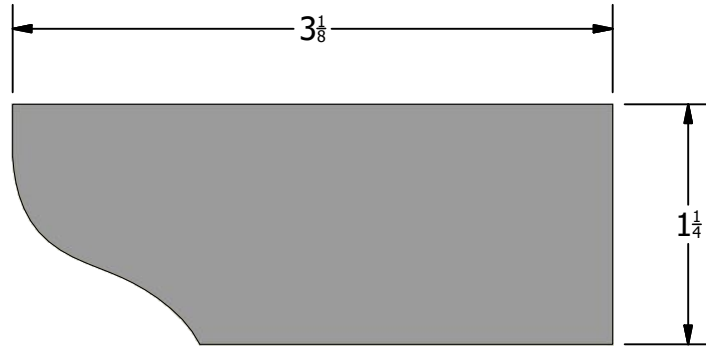
-391-

Back

Scale



HOMESTEAD
WOODWORKS



Description
Window Sill

Part Number
Sill-01

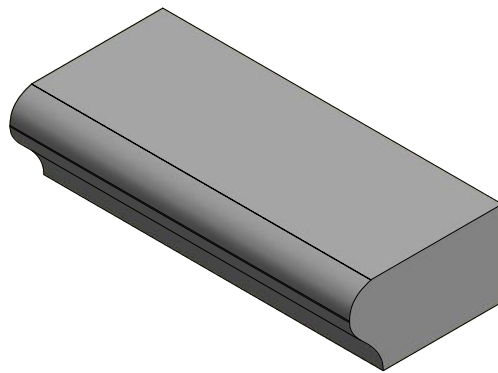
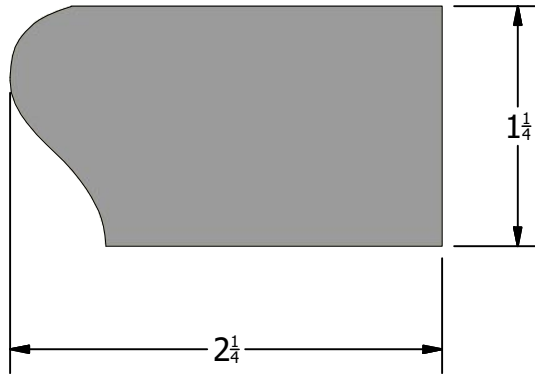
-392-

Back

Scale 1 : 1



HOMESTEAD
WOODWORKS



Description
Window Sill

Part Number
Sill-02

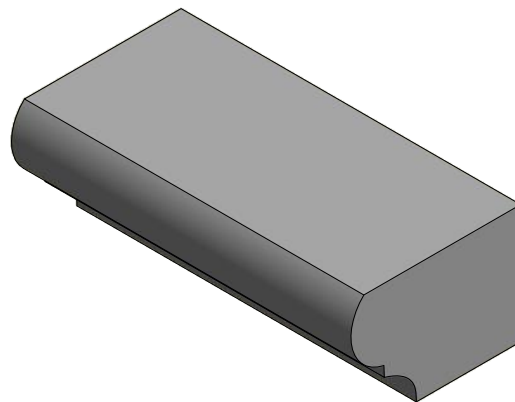
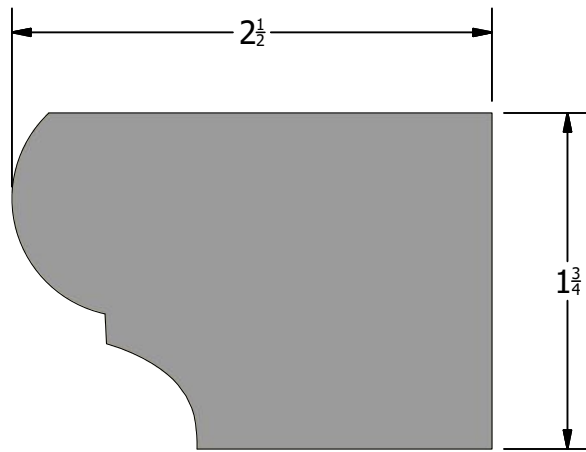
-393-

Back

Scale 1 : 1



HOMESTEAD
WOODWORKS



Description
Window Sill

Part Number
Sill-03

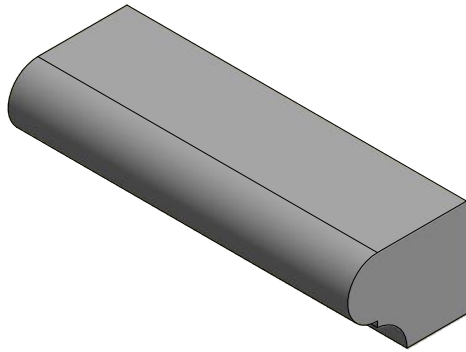
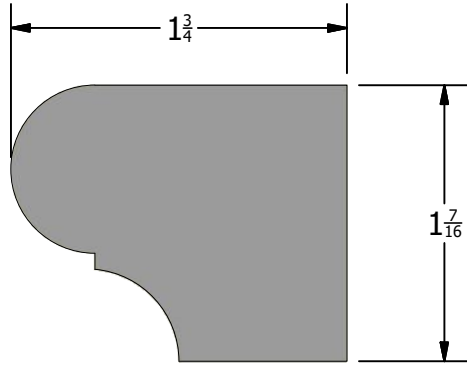
-394-

Back

Scale 1 : 1



HOMESTEAD
WOODWORKS



Description
Window Sill

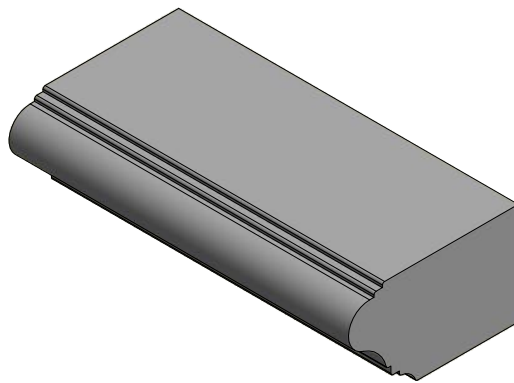
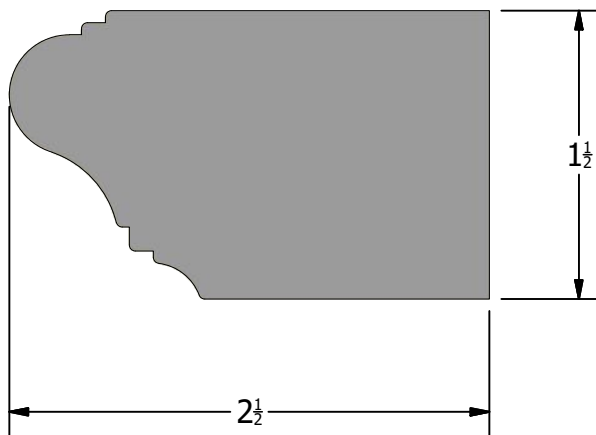
Part Number
Sill-04



-395-

Back

Scale 1 : 1



Description
Window Sill

Part Number
Sill-05

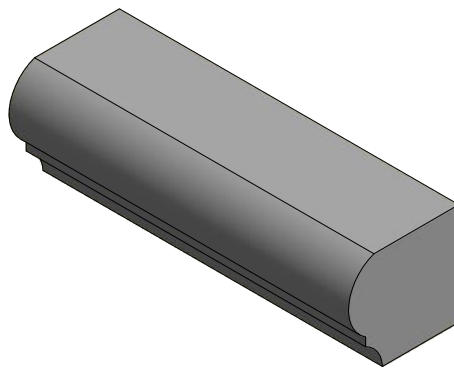
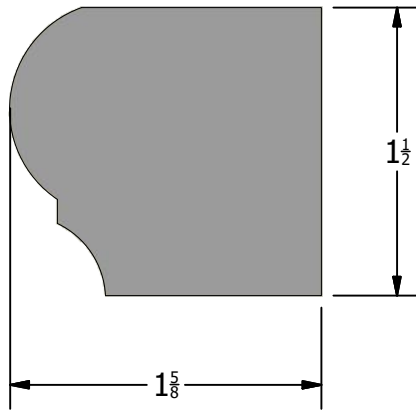
-396-

Back

Scale 1 : 1



HOMESTEAD
WOODWORKS



Description
Window Sill

Part Number
Sill-06

-397-

Back

Scale 1 : 1



HOMESTEAD
WOODWORKS

Description

Part Number

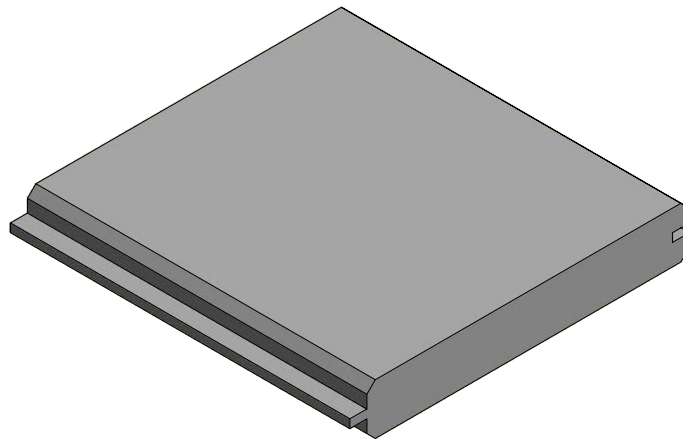
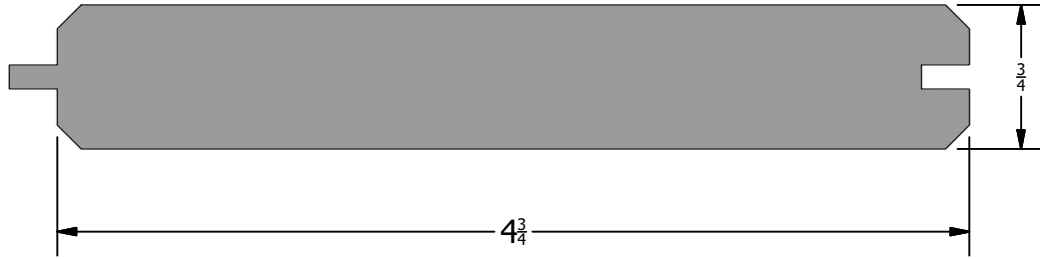
-398-


Back

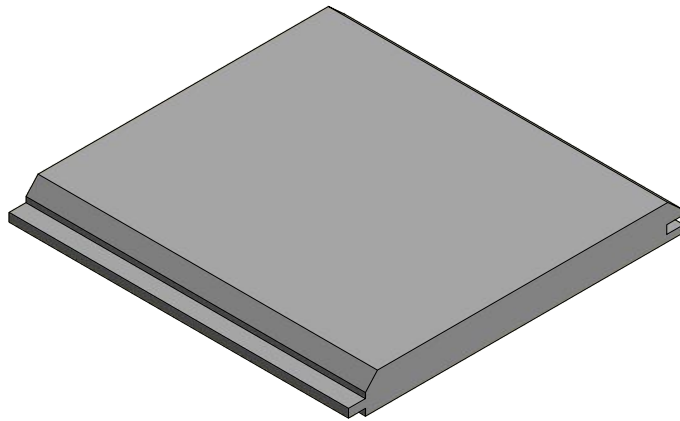
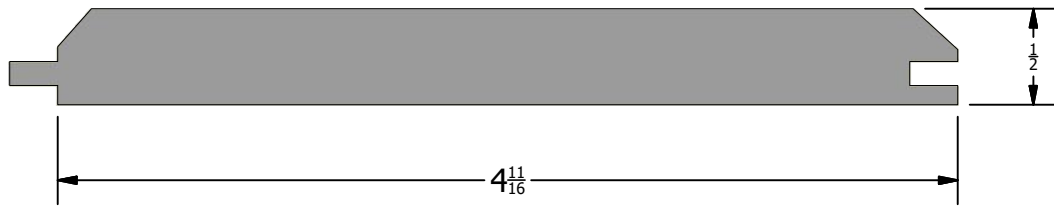
Scale



HOMESTEAD
WOODWORKS



Description T & G Paneling		Part Number T G-01	 HOMESTEAD WOODWORKS
-399-	Back	Scale 1 : 1	



Description
T & G Paneling

Part Number
TG-02

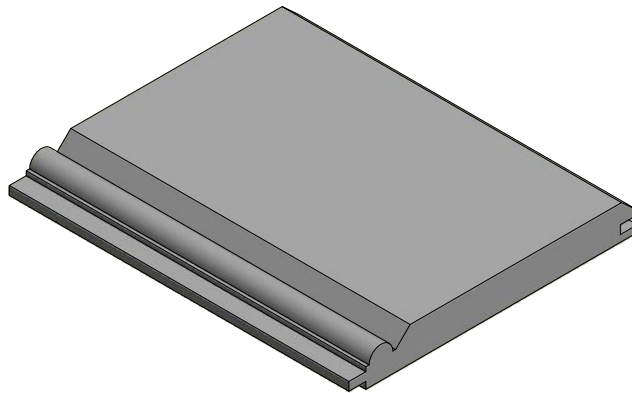
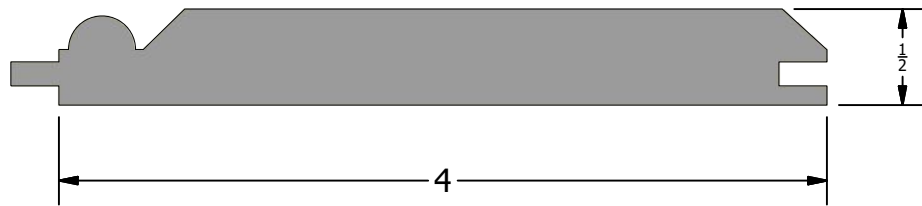
-400-

Back

Scale 1 : 1



HOMESTEAD
WOODWORKS



Description
T & G Paneling

Part Number
TG-03

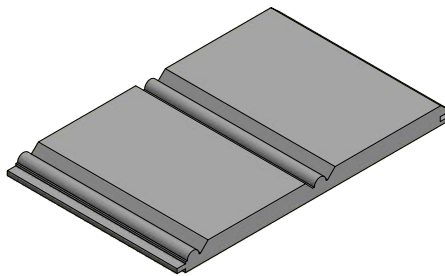
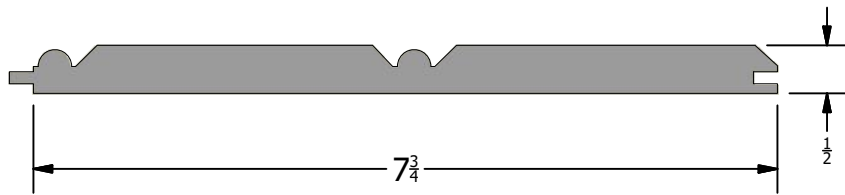
-401-

Back

Scale 1 : 1



HOMESTEAD
WOODWORKS



Description
T & G Paneling

Part Number
TG-04

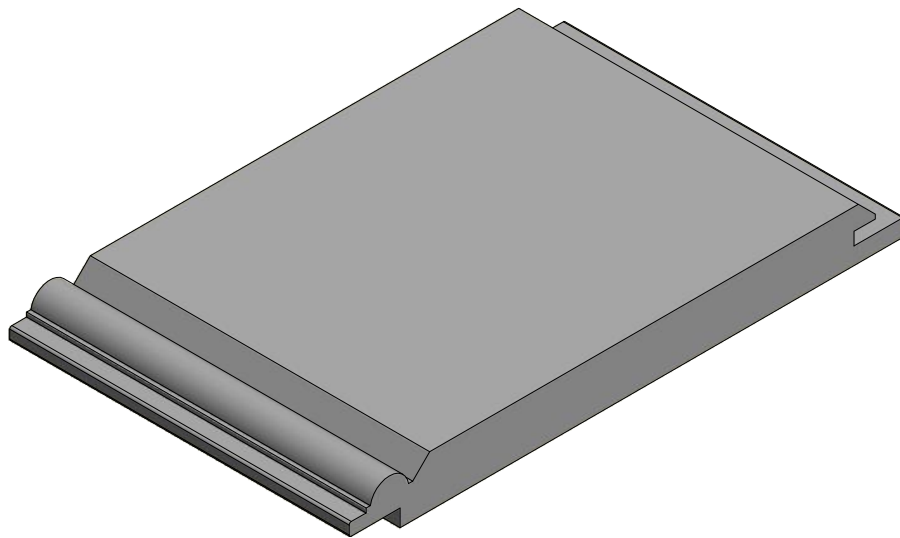
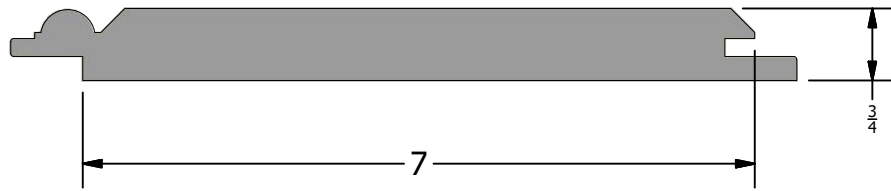
-402-


Back

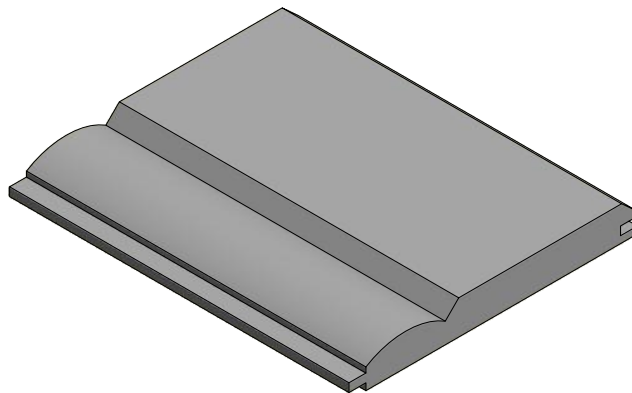
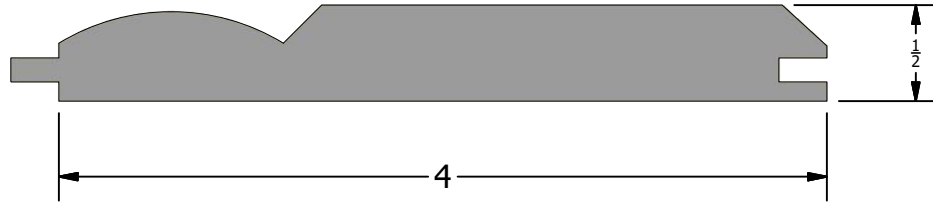
Scale 1 / 2



HOMESTEAD
WOODWORKS



Description T & G Paneling		Part Number TG-05	 HOMESTEAD WOODWORKS
-403-	Back	Scale 1 / 2	



Description
T & G Paneling

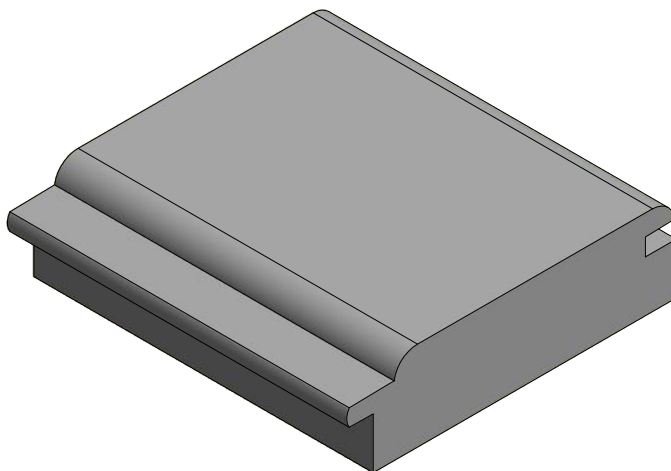
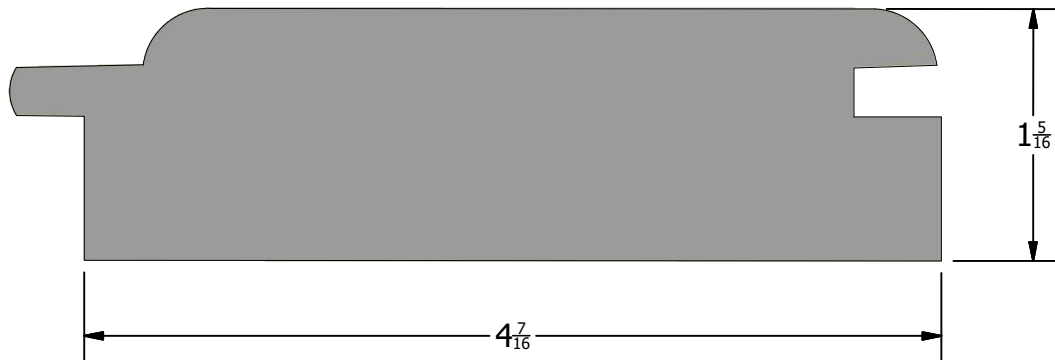
Part Number
TG-06


-404-

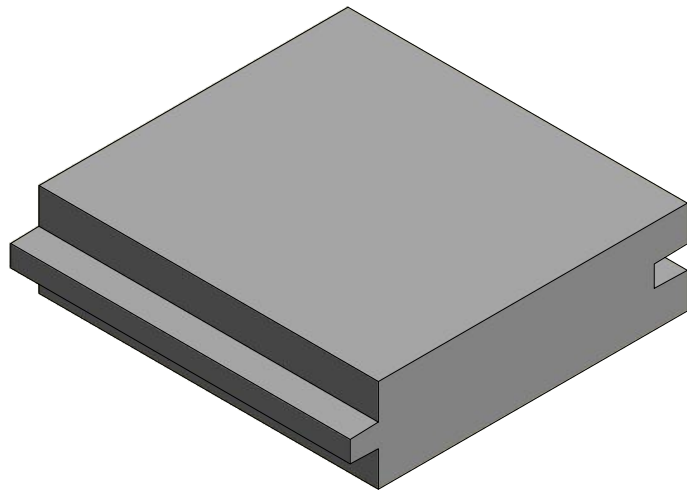
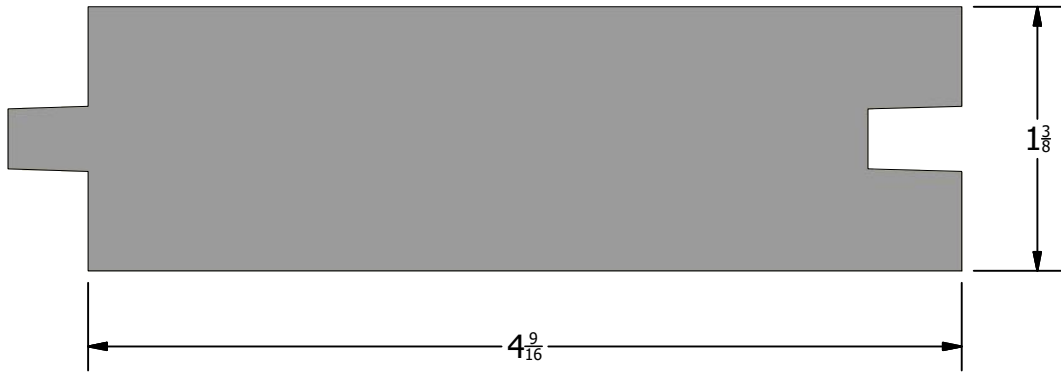
Back


Scale 1 : 1

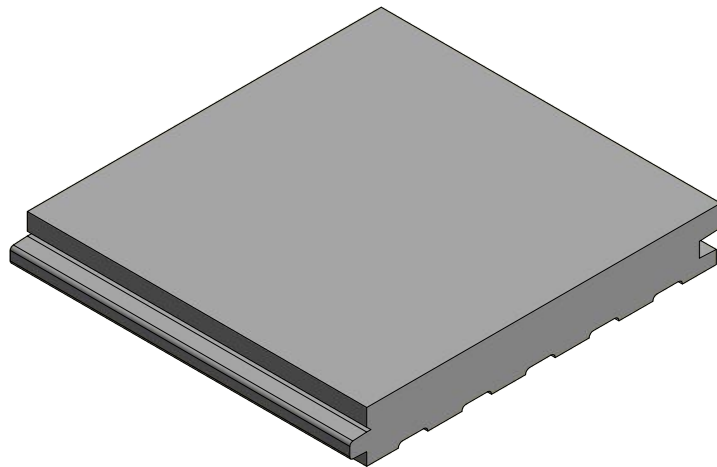
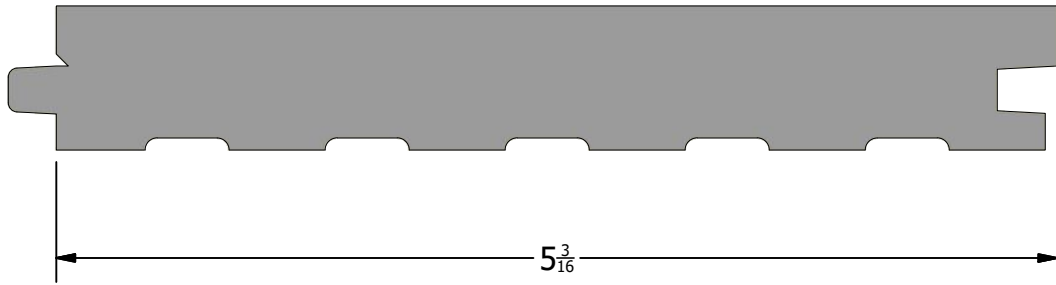
HOMESTEAD
WOODWORKS



Description T & G Paneling		Part Number TG-07	 HOMESTEAD WOODWORKS
-405-	Back	Scale 1 : 1	



Description T & G Paneling		Part Number TG-08	 HOMESTEAD WOODWORKS
-406-	Back	Scale 1 : 1	



Description
T & G Paneling

Part Number
TG-09

-407-

Back

Scale 1 : 1



HOMESTEAD
WOODWORKS

Description

Part Number

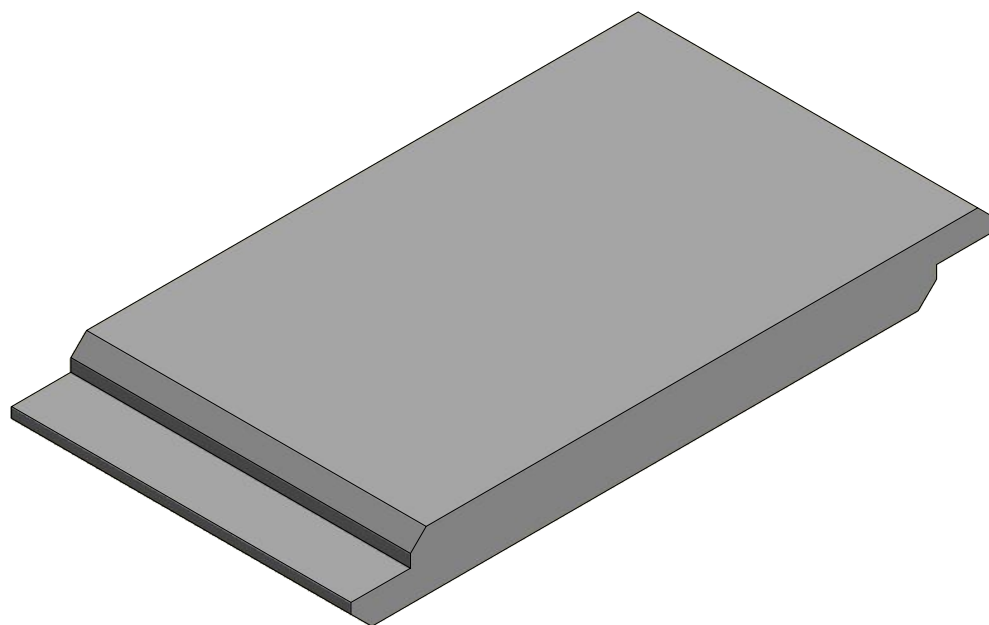
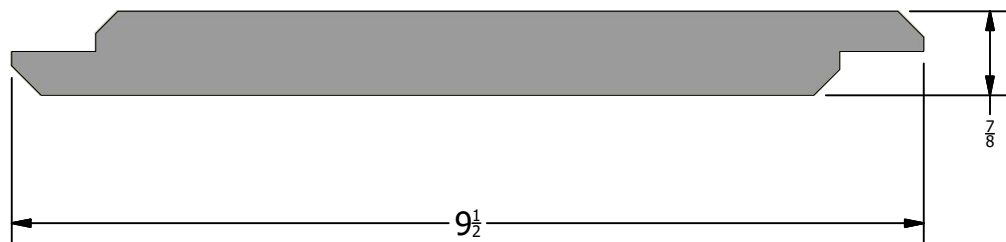
-408-

Back

Scale



HOMESTEAD
WOODWORKS



Description
Shiplap

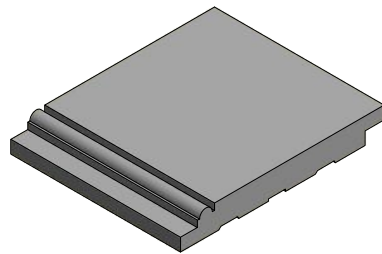
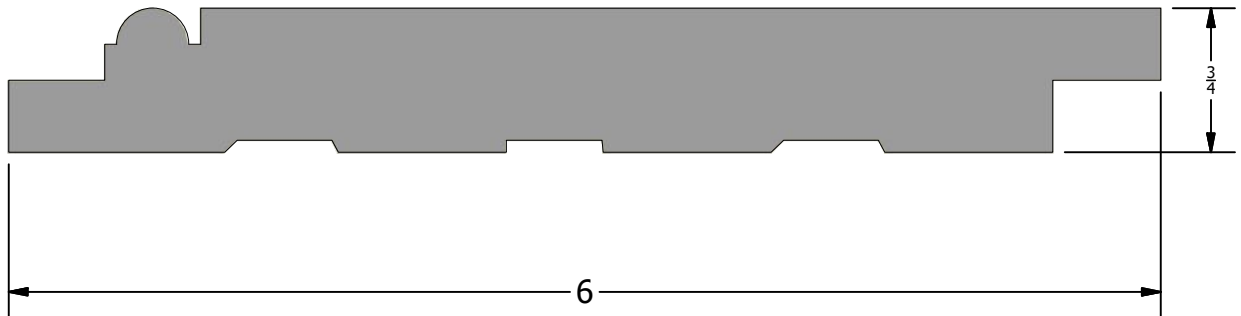
Part Number
SHL-01



-409-

Back

Scale 1 / 2



Description
Shiplap

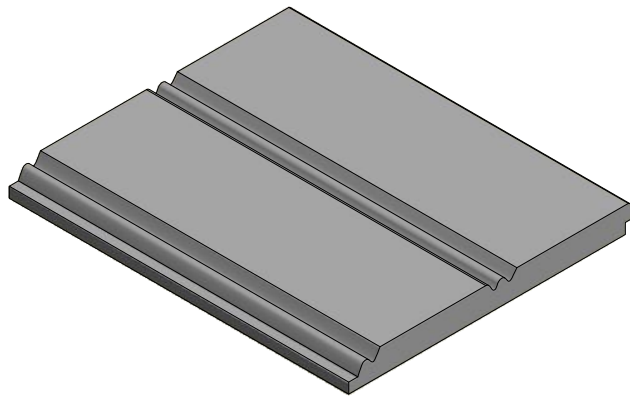
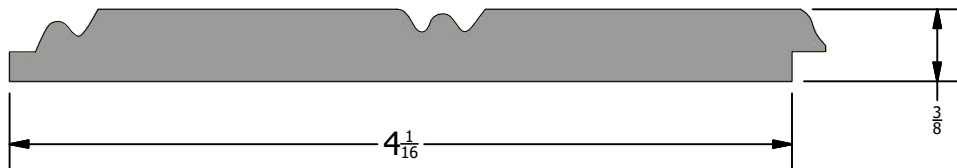
Part Number
SHL-02


-410-

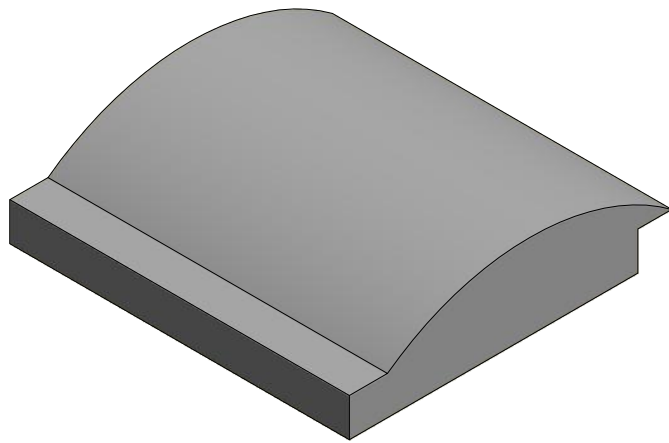
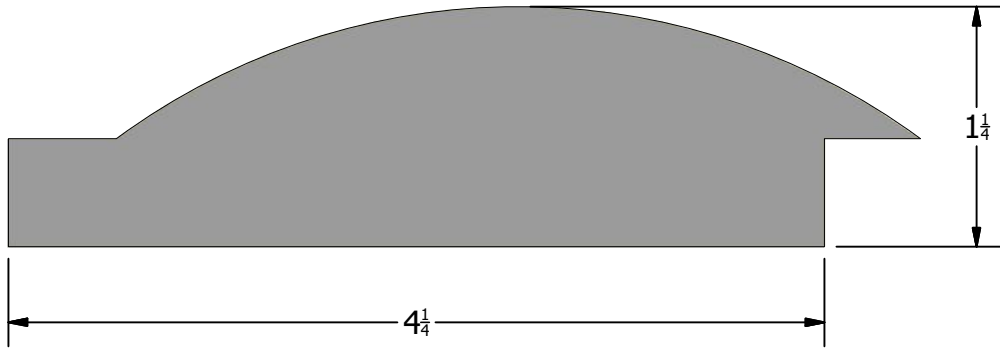
Back

Scale 1 : 1





Description Shiplap		Part Number SHL-03	 HOMESTEAD WOODWORKS
-411-	Back	Scale 1 : 1	



Description
Shiplap

Part Number
SHL-04

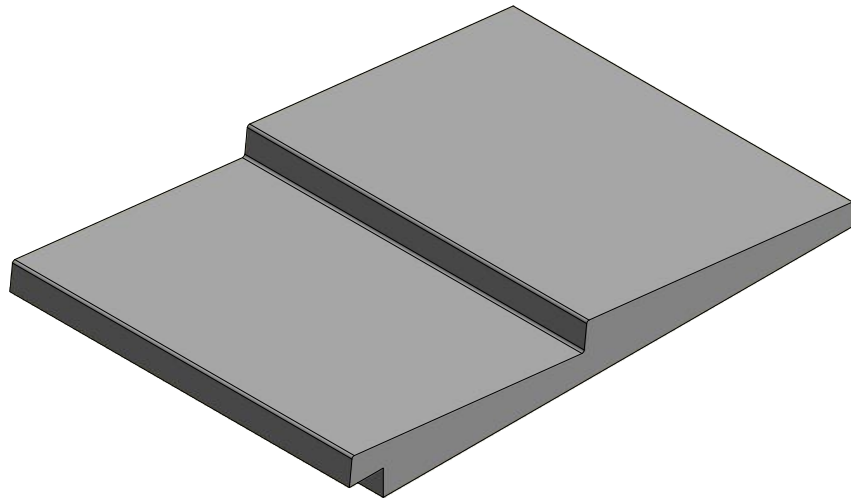
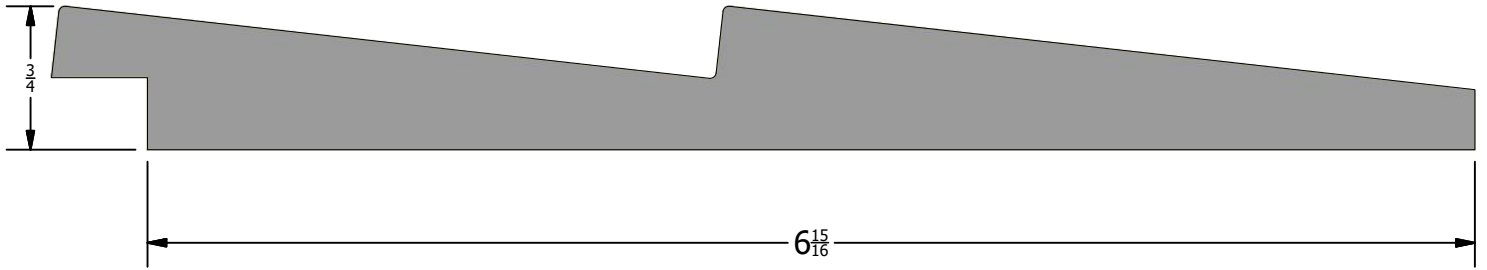
-412-

Back

Scale 1 : 1



HOMESTEAD
WOODWORKS



Description
Shiplap

Part Number
SHL-05



-413-

Back

Scale 1 : 1

Description

Part Number

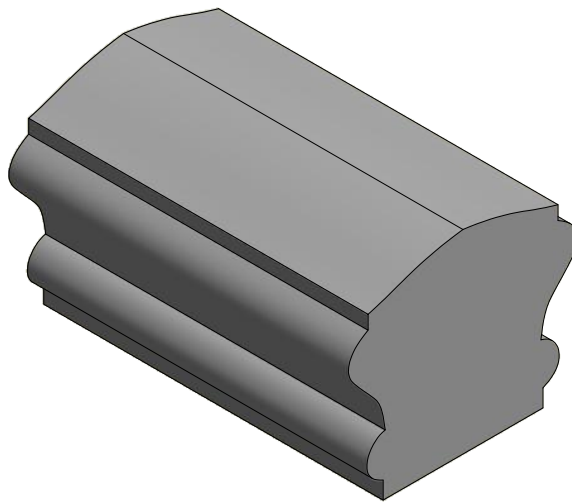
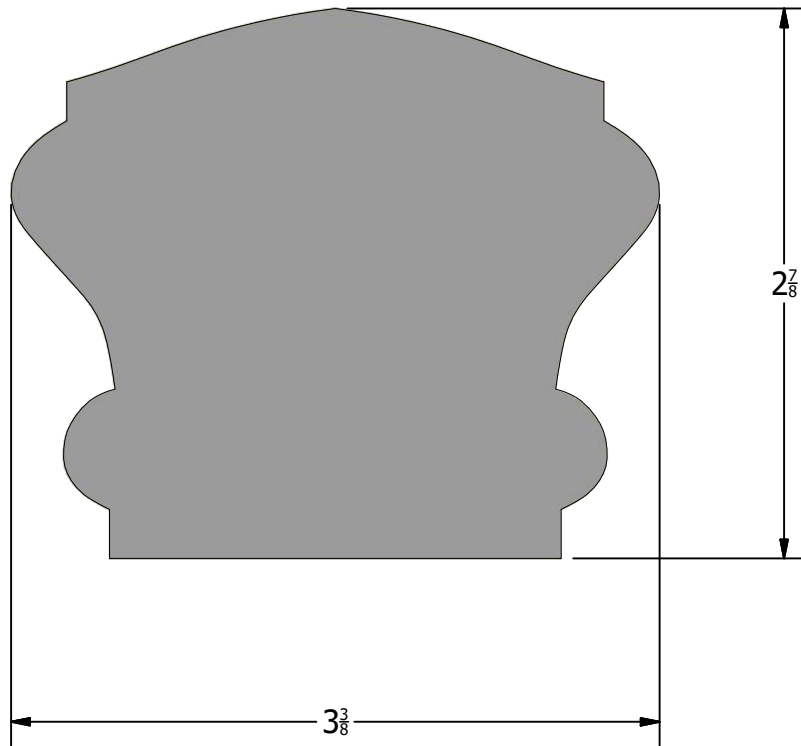
-414-


Back

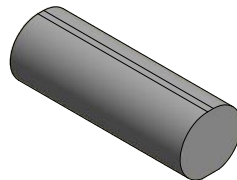
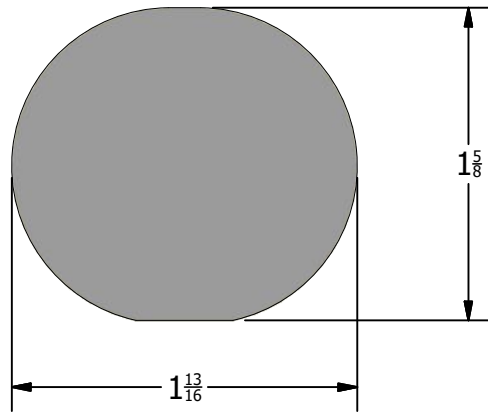
Scale



HOMESTEAD
WOODWORKS



Description Hand Rail		Part Number HR-01	 HOMESTEAD WOODWORKS
-415-	Back	Scale 1 : 1	



Description
Hand Rail

Part Number
HR-02

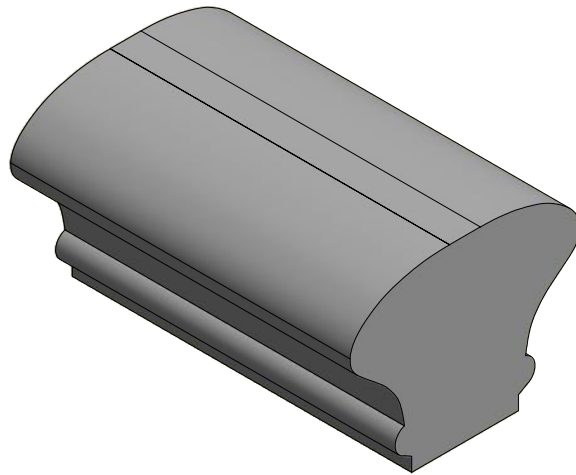
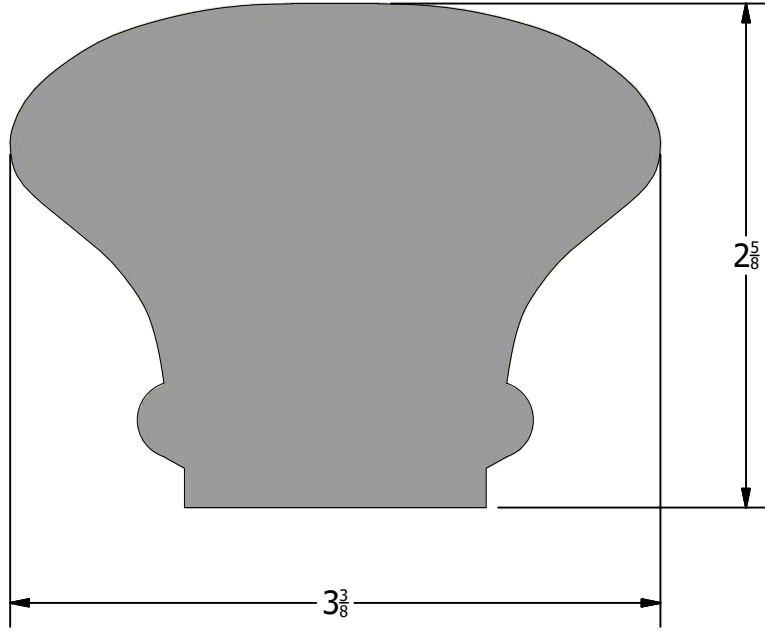
-416-


Back

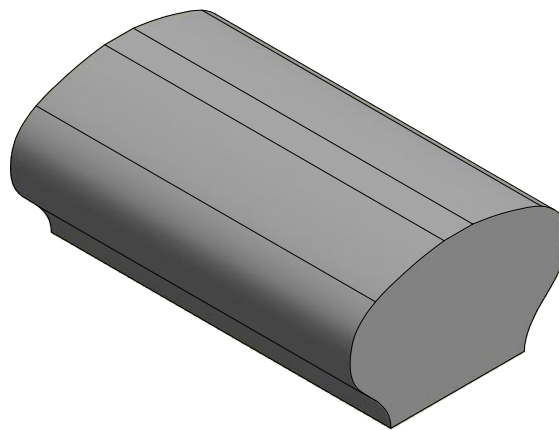
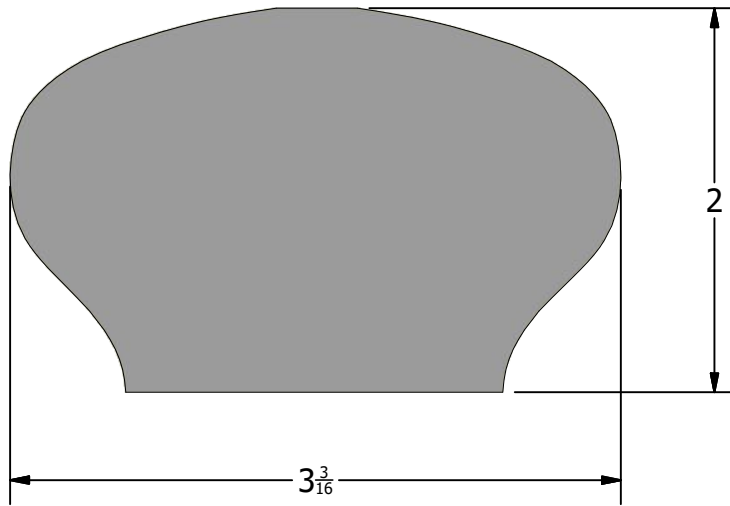
Scale 1 : 1




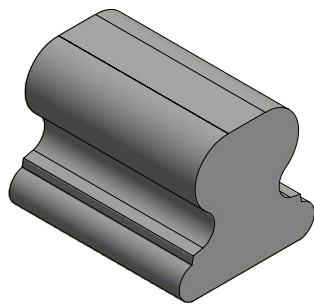
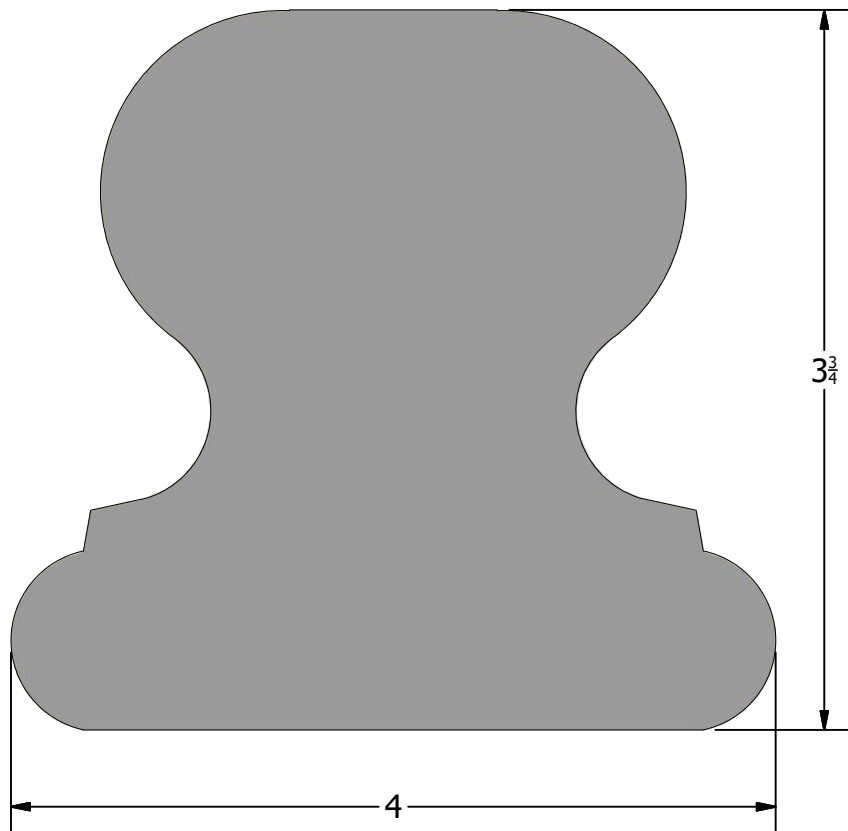
HOMESTEAD
WOODWORKS




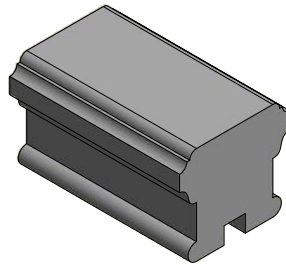
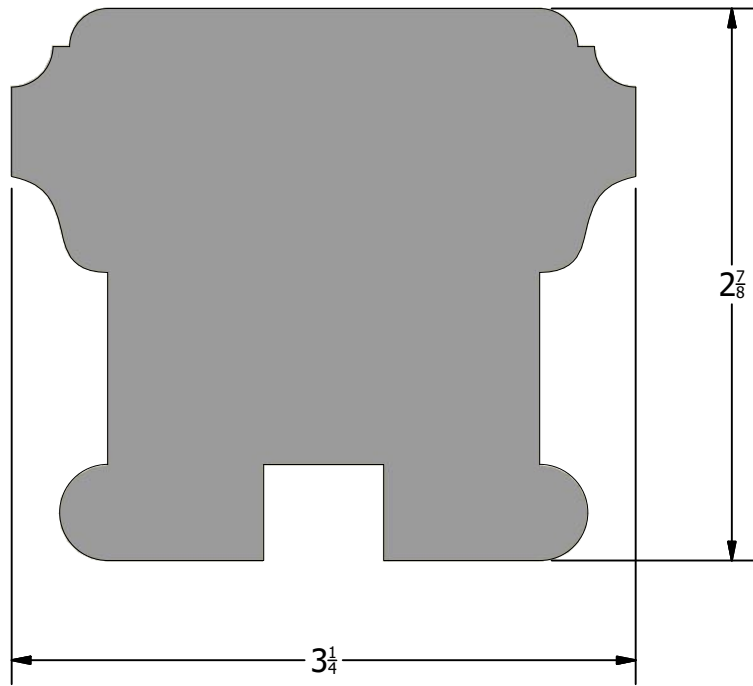
Description Hand Rail		Part Number HR-03	 HOMESTEAD WOODWORKS
-417-	Back	Scale 1 : 1	




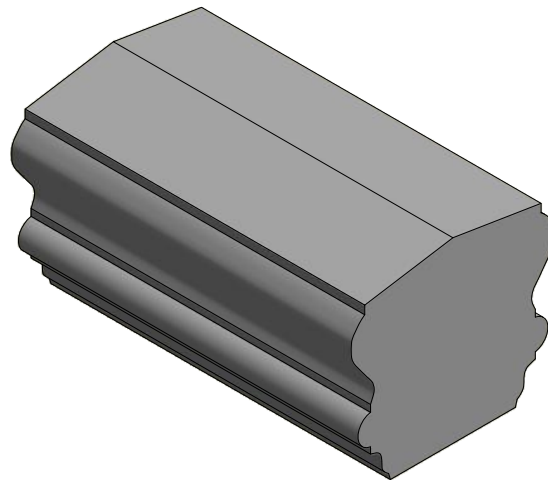
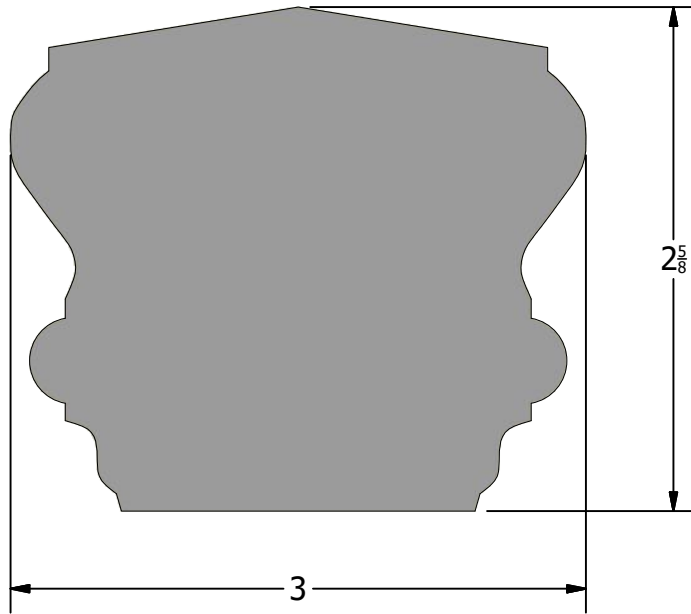
Description Hand Rail		Part Number HR-04	 HOMESTEAD WOODWORKS
-418-	Back	Scale 1 : 1	



Description Hand Rail		Part Number HR-05	 HOMESTEAD WOODWORKS
-419-	Back	Scale 1 : 1	



Description Hand Rail		Part Number HR-06	 HOMESTEAD WOODWORKS
-420-	Back	Scale 1 : 1	



Description
Hand Rail

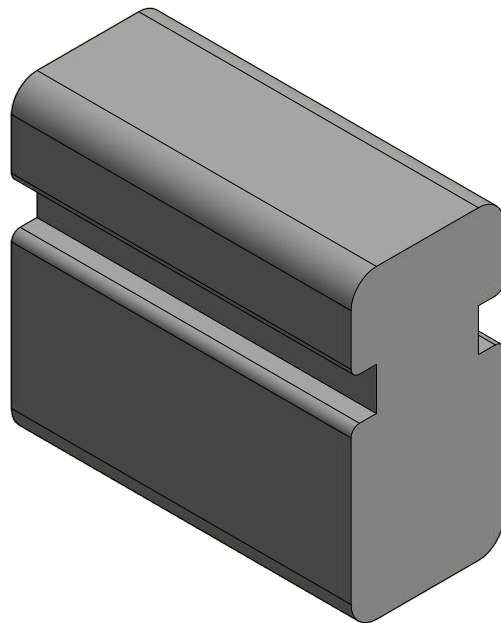
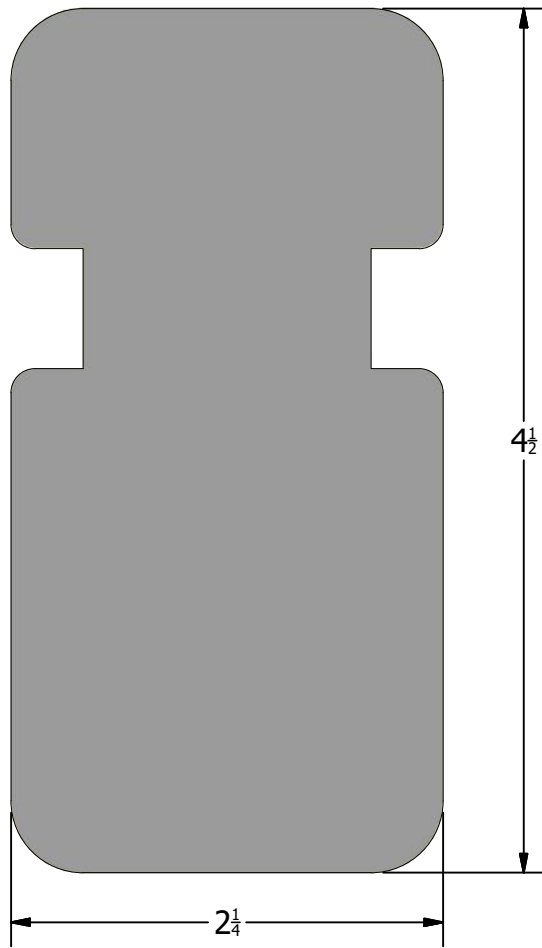
Part Number
HR-07

-421-

Back

Scale 1 : 1

HOMESTEAD
WOODWORKS



Description
Hand Rail

Part Number
HR-08

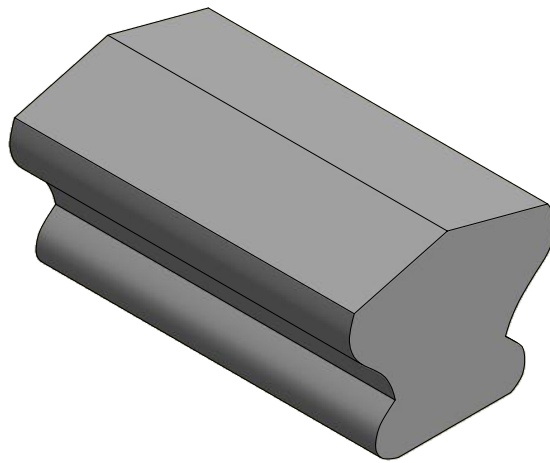
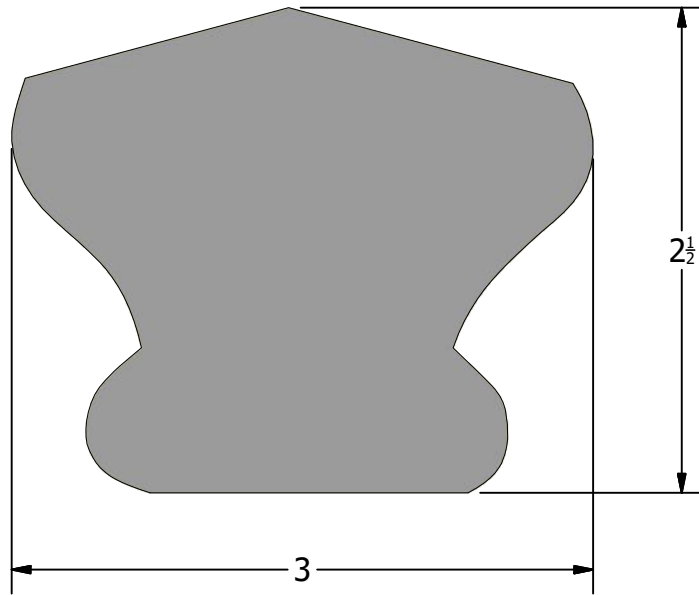
-422-

Back

Scale 1 : 1



HOMESTEAD
WOODWORKS



Description
Hand Rail

Part Number
HR-09

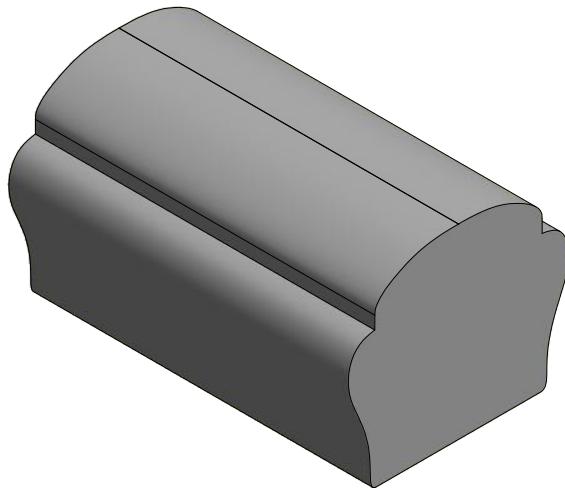
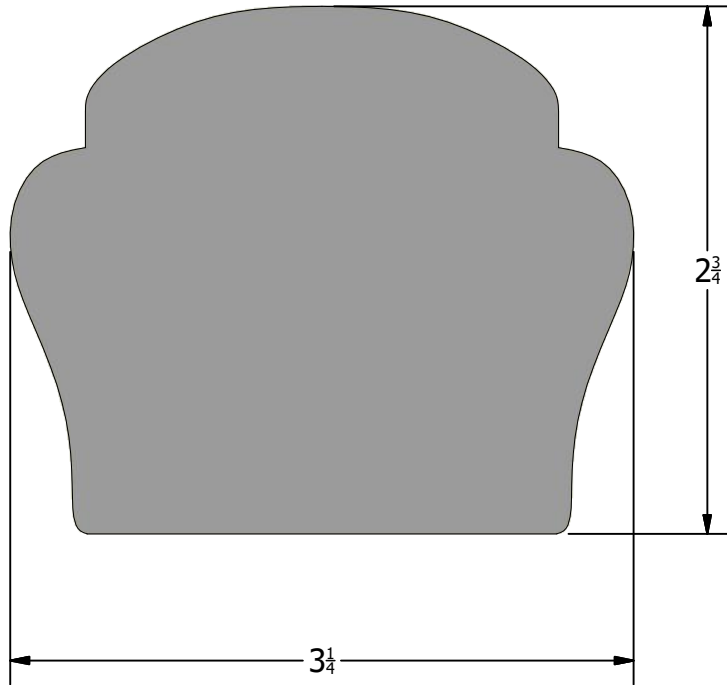
-423-


Back

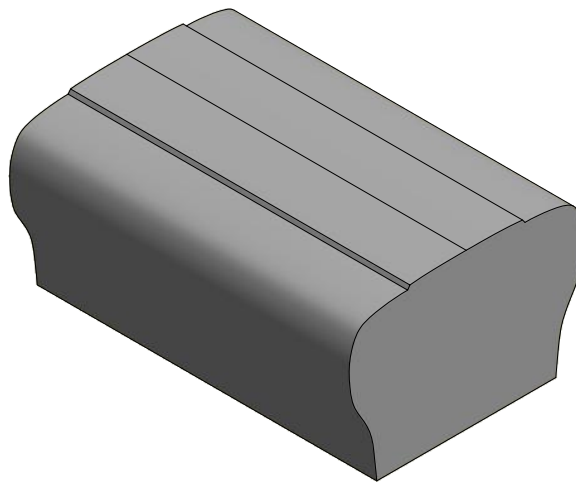
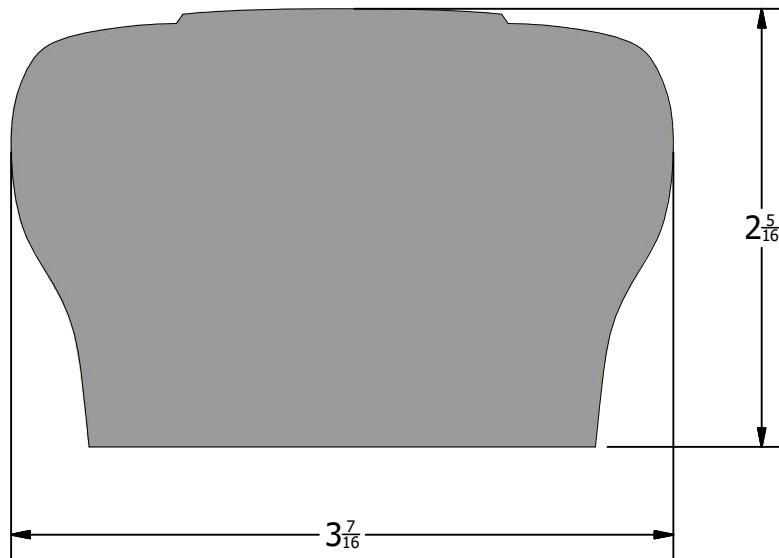
Scale 1 : 1




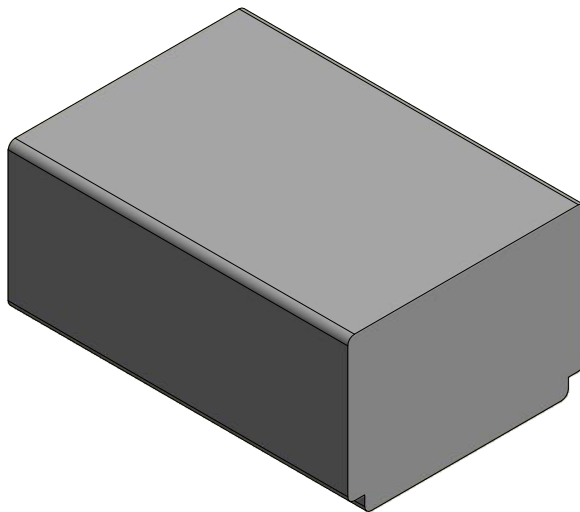
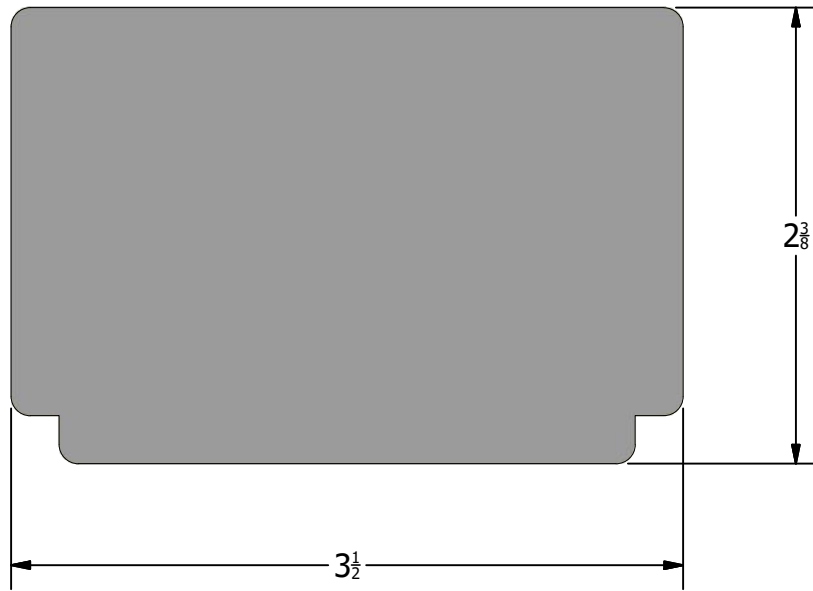
HOMESTEAD
WOODWORKS




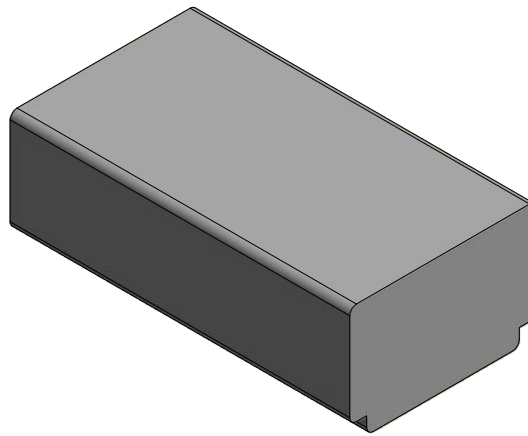
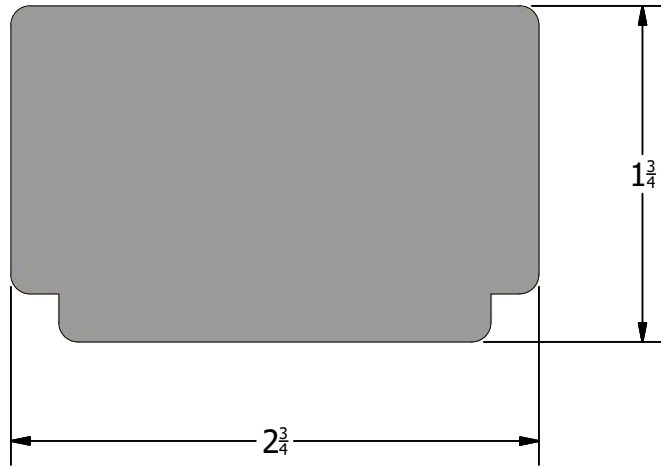
Description Hand Rail		Part Number HR-10	 HOMESTEAD WOODWORKS
-424-	Back	Scale 1 : 1	



Description Hand Rail		Part Number HR-11	 HOMESTEAD WOODWORKS
-425-	Back	Scale 1 : 1	



Description Hand Rail		Part Number HR-12-A	 HOMESTEAD WOODWORKS
-426-	Back	Scale 1 : 1	



Description
Hand Rail

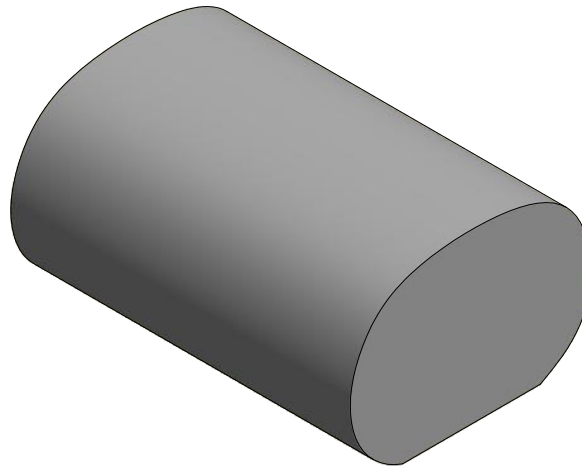
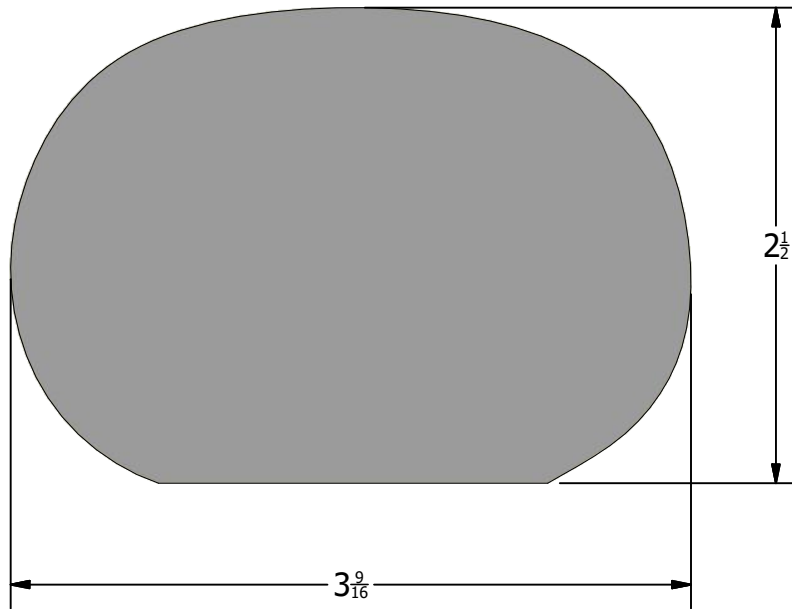
Part Number
HR-12-B

-427-

Back

Scale 1 : 1

HOMESTEAD
WOODWORKS



Description
Hand Rail

Part Number
HR-13

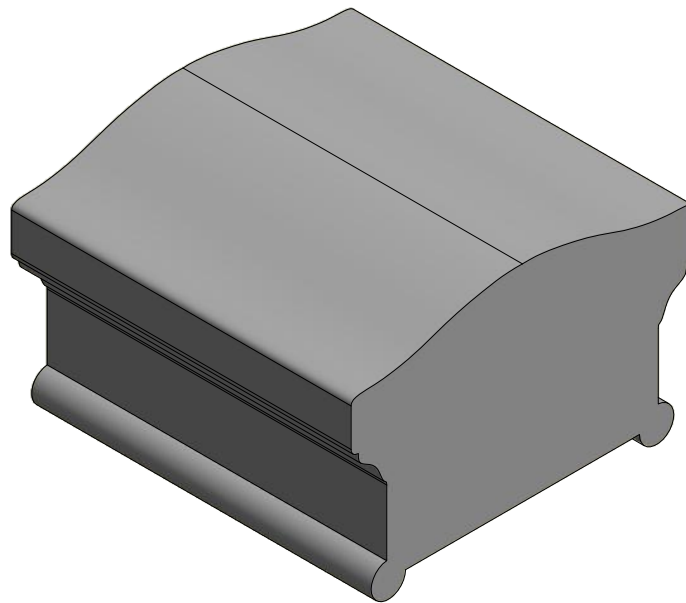
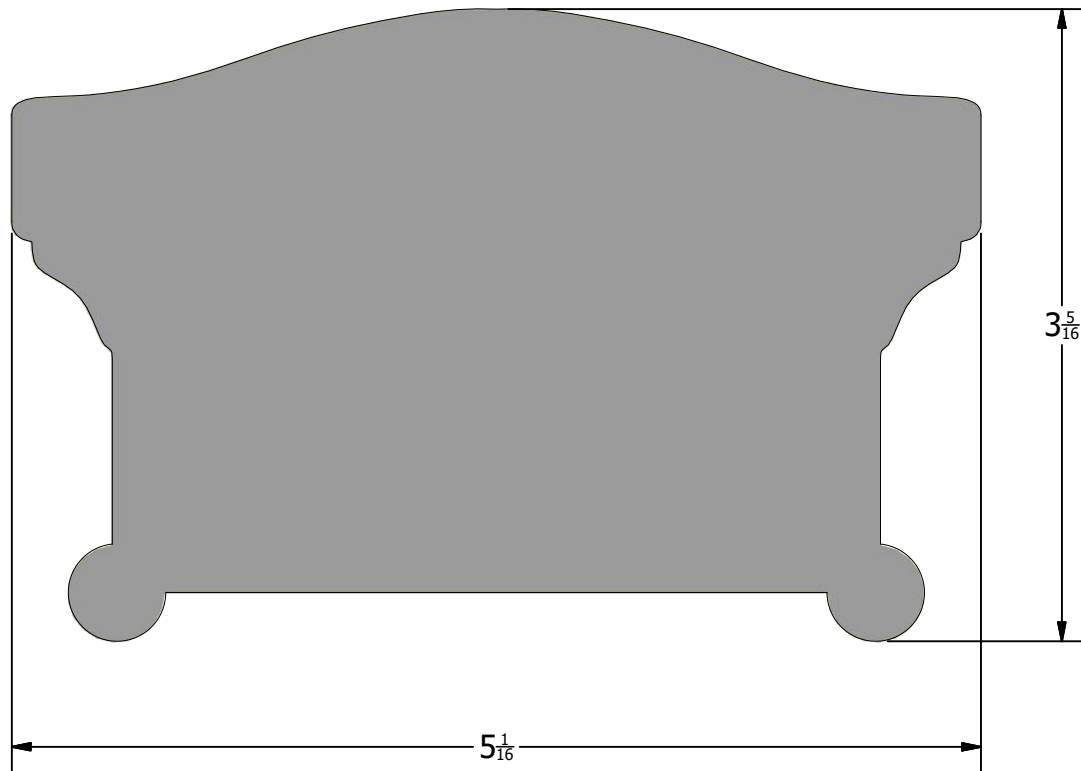
-428-


Back

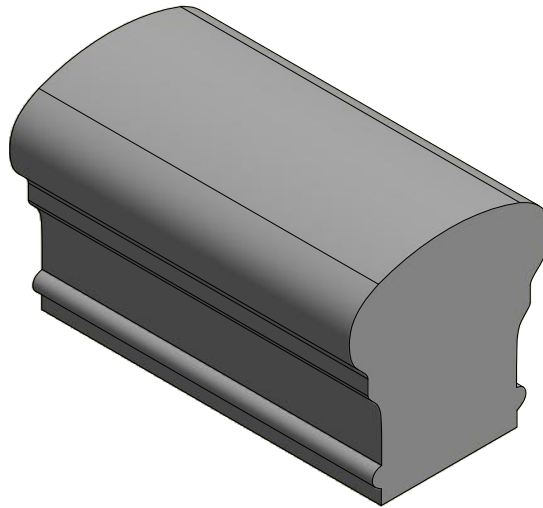
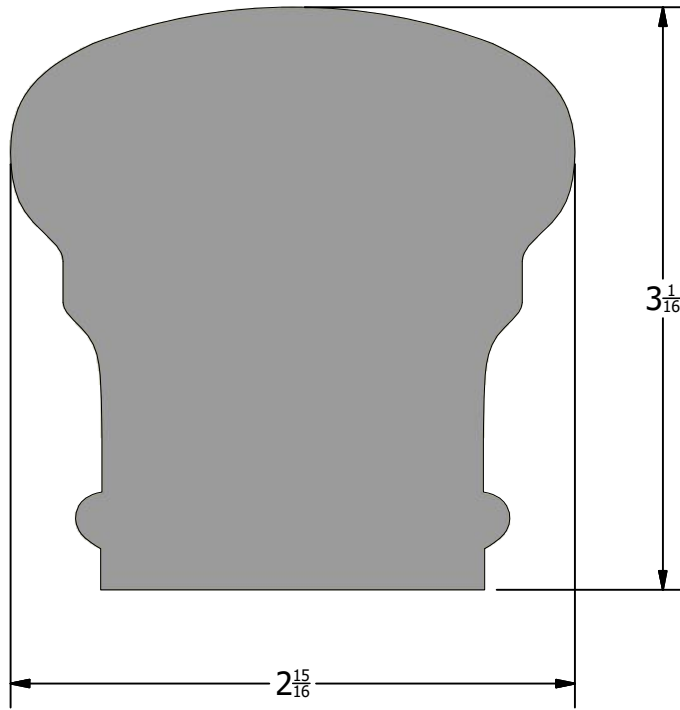
Scale 1 : 1




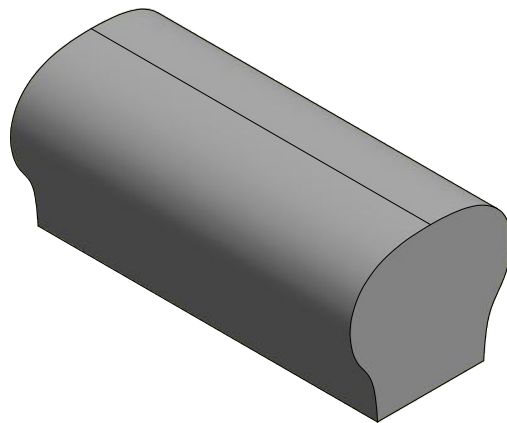
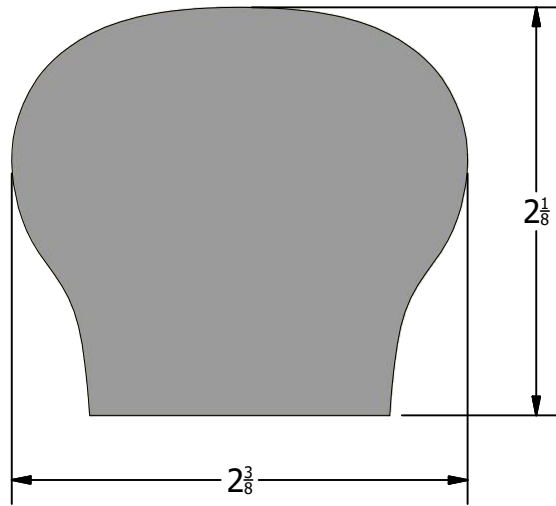
HOMESTEAD
WOODWORKS



Description Hand Rail		Part Number HR-14	 HOMESTEAD WOODWORKS
-429-	Back	Scale 1 : 1	



Description Hand Rail		Part Number HR-15	 HOMESTEAD WOODWORKS
-430-	Back	Scale 1 : 1	



Description
Hand Rail

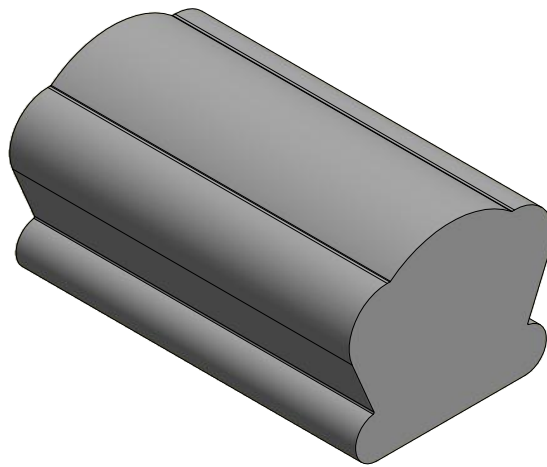
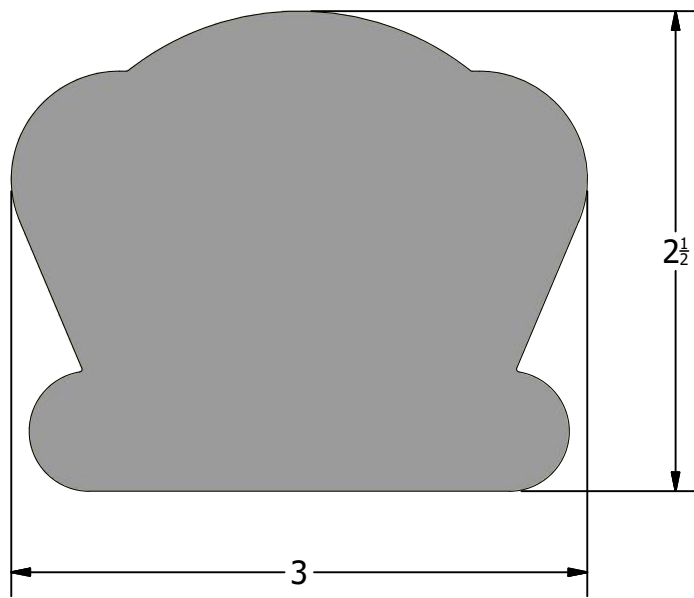
Part Number
HR-16

-431-

Back

Scale 1 : 1





Description
Hand Rail

Part Number
HR-17

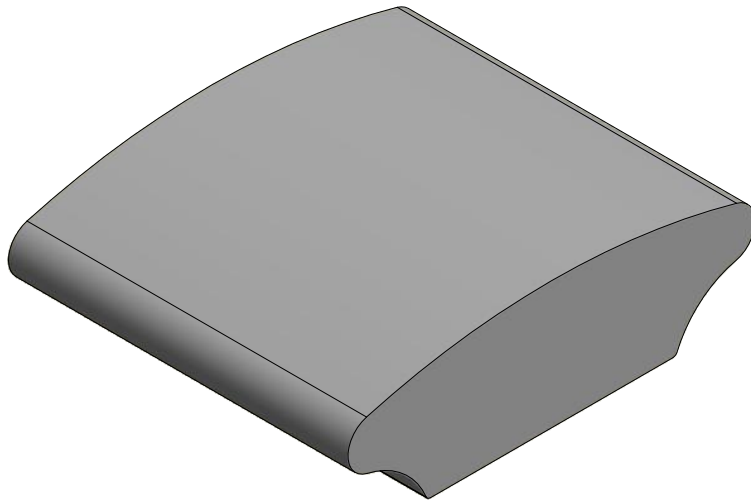
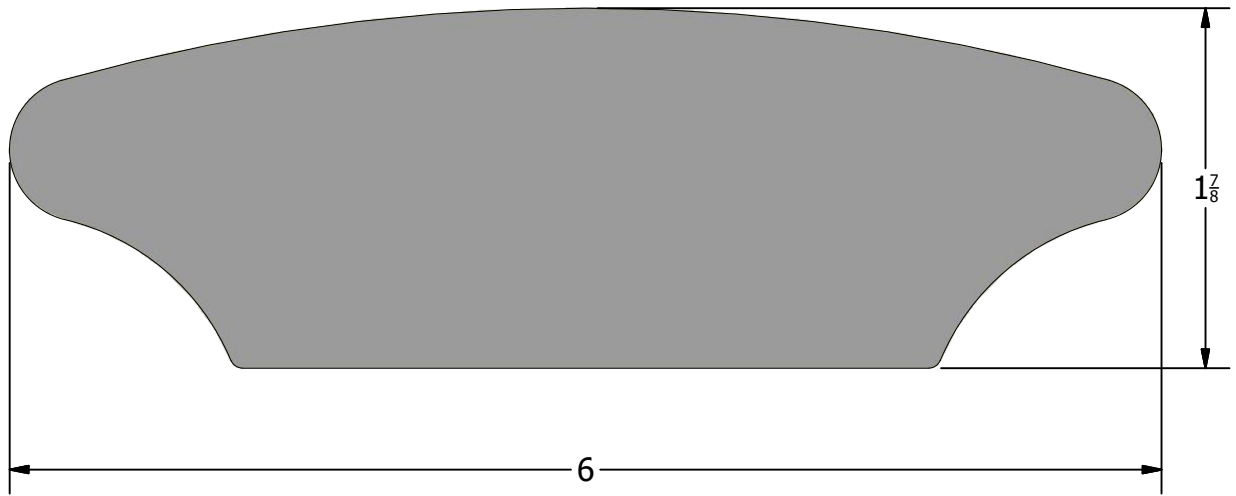
-432-

Back

Scale 1 : 1



HOMESTEAD
WOODWORKS



Description
Hand Rail

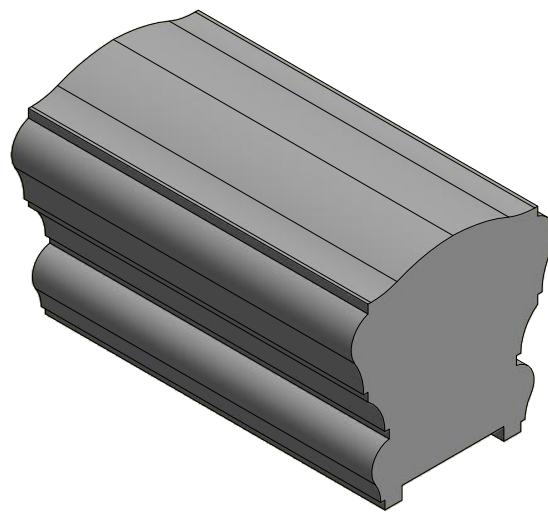
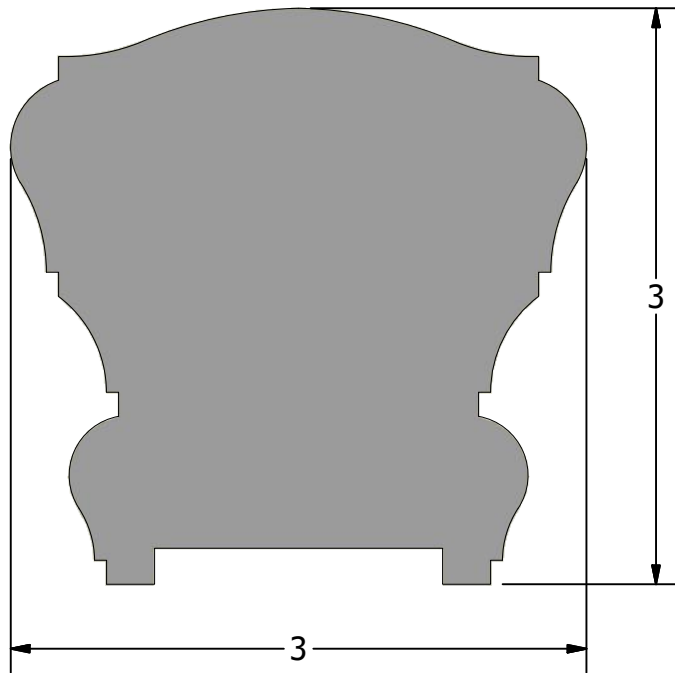
Part Number
HR-18




-433-

Back

Scale 1 : 1



Description Hand Rail		Part Number HR-19	 HOMESTEAD WOODWORKS
-434-	Back	Scale 1 : 1	

Description

Part Number

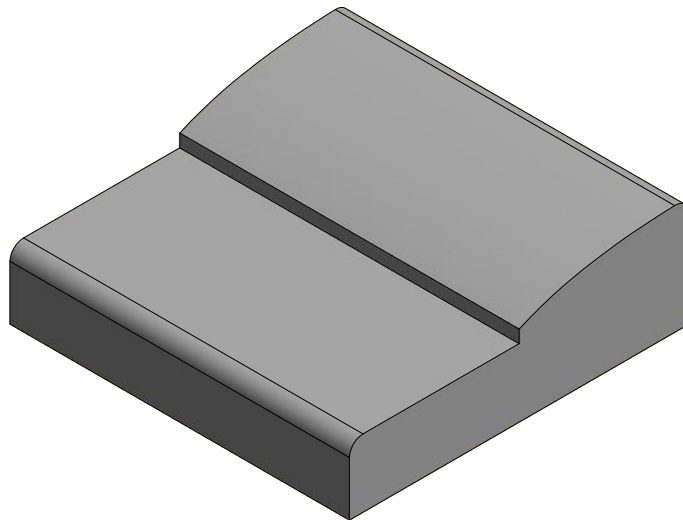
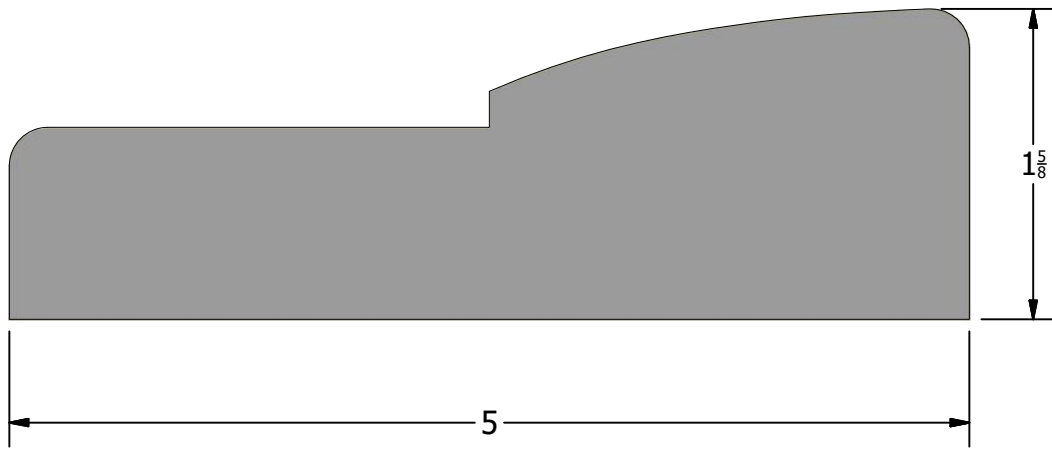
-435-


Back

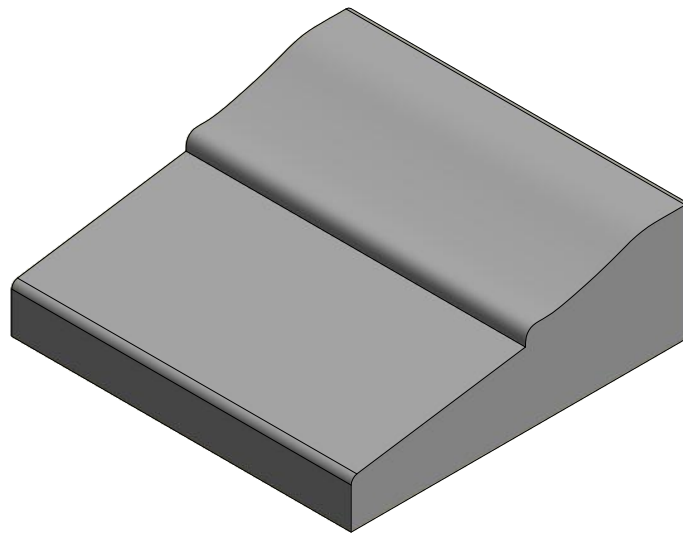
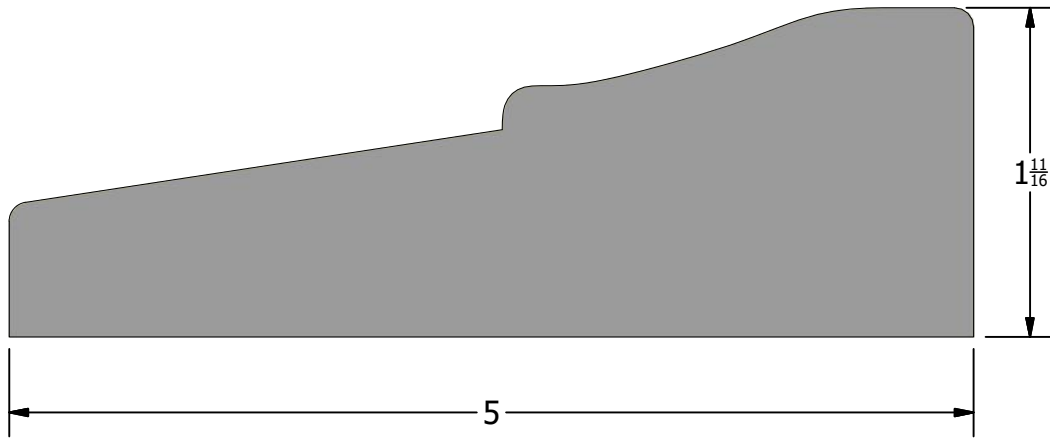
Scale




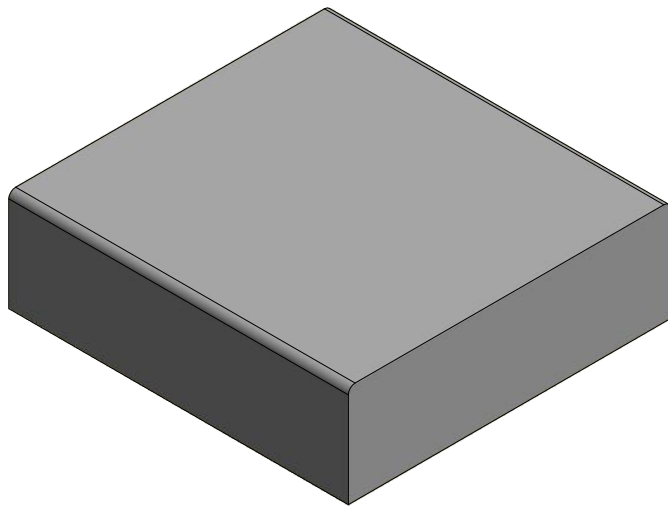
HOMESTEAD
WOODWORKS




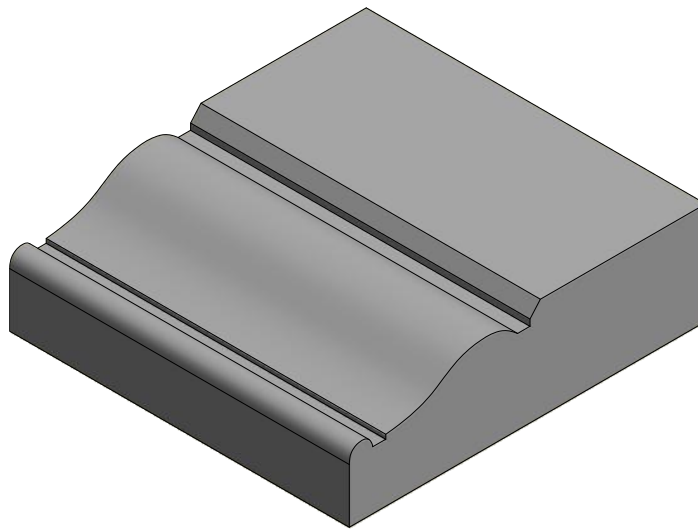
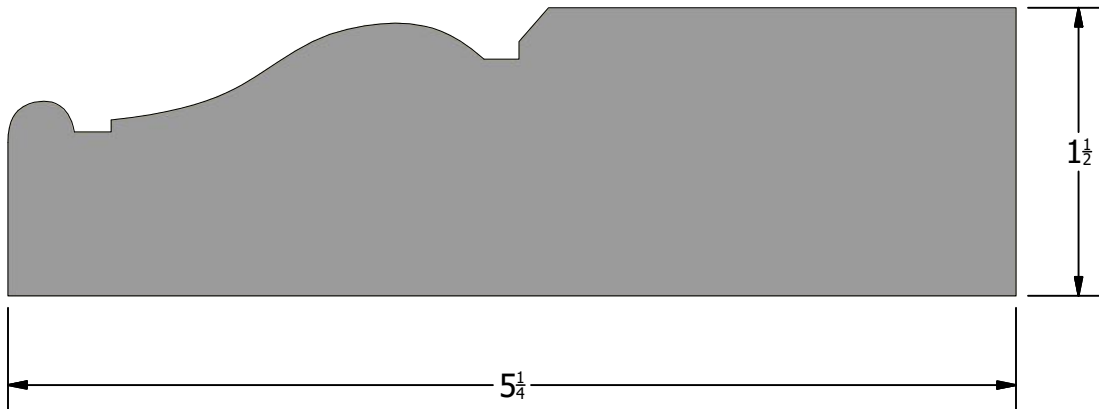
Description Plinth Block		Part Number Plinth-01	 HOMESTEAD WOODWORKS
-436-	Back	Scale 1 : 1	




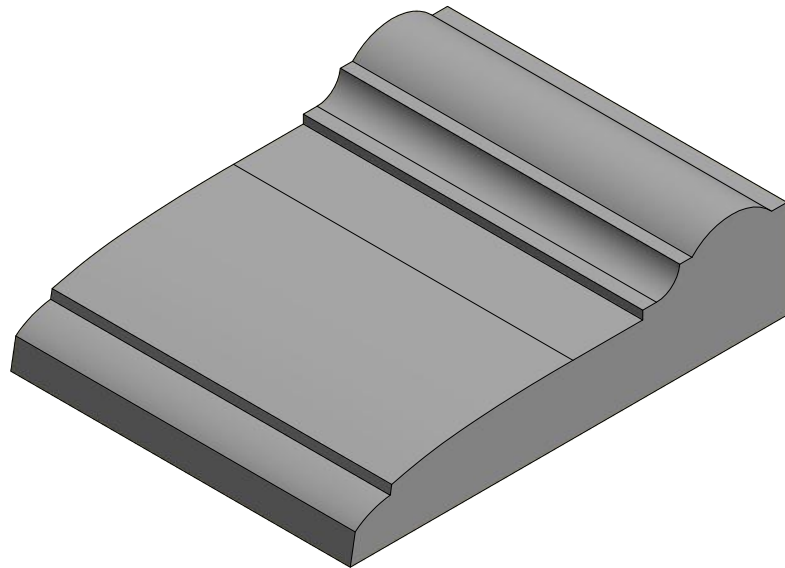
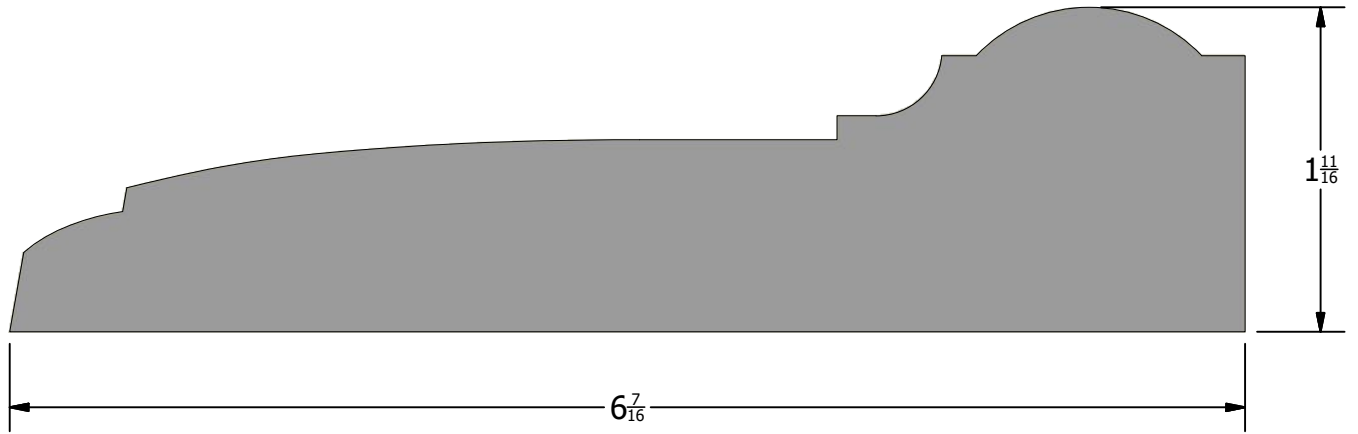
Description Plinth Block		Part Number Plinth-02	 HOMESTEAD WOODWORKS
-437-	Back	Scale 1 : 1	




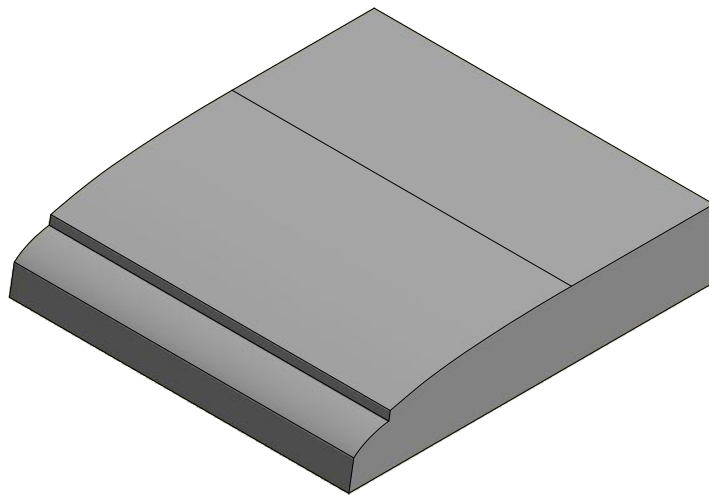
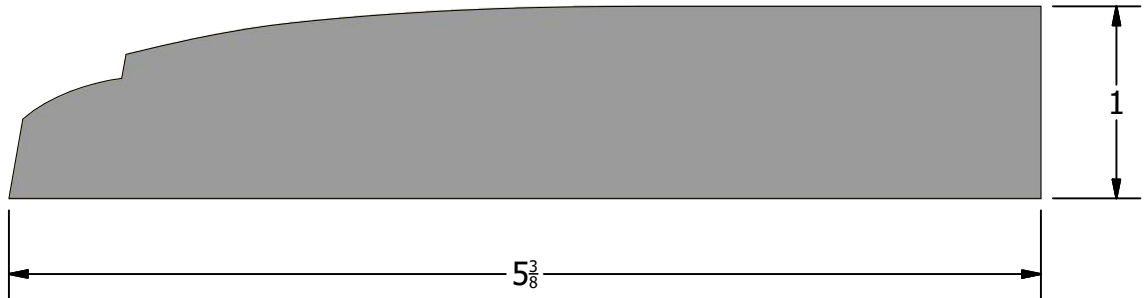
Description Plinth Block		Part Number Plinth-03	 HOMESTEAD WOODWORKS
-438-	Back	Scale 1 : 1	



Description Plinth Block		Part Number Plinth-04	 HOMESTEAD WOODWORKS
-439-	Back	Scale 1 : 1	



Description Plinth Block		Part Number Plinth-05	 HOMESTEAD WOODWORKS
-440-	Back	Scale 1 : 1	



Description
Plinth Block

Part Number
Plinth-06

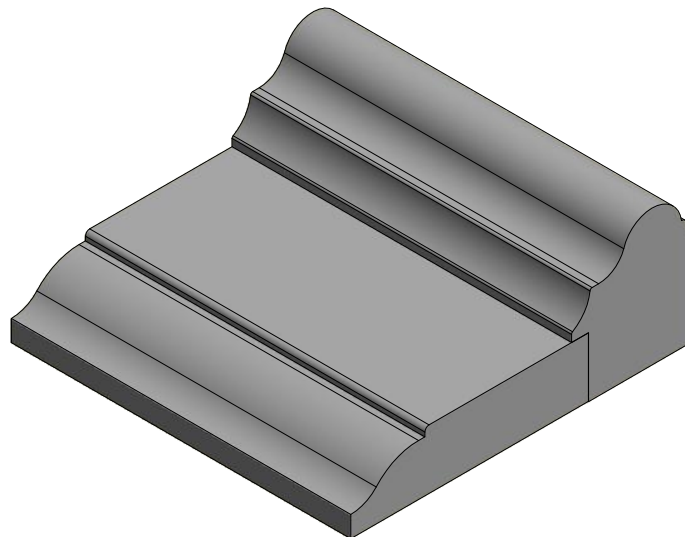
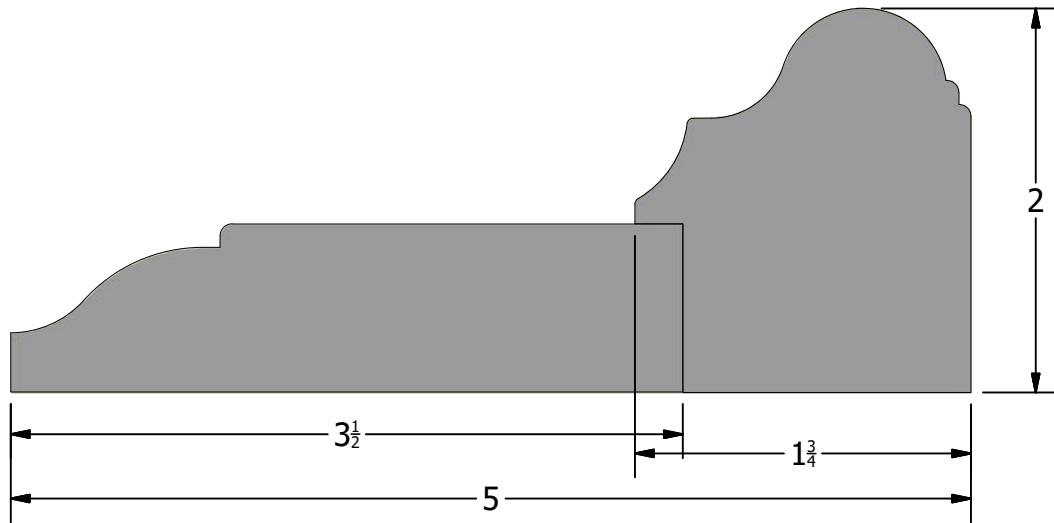
-441-


Back

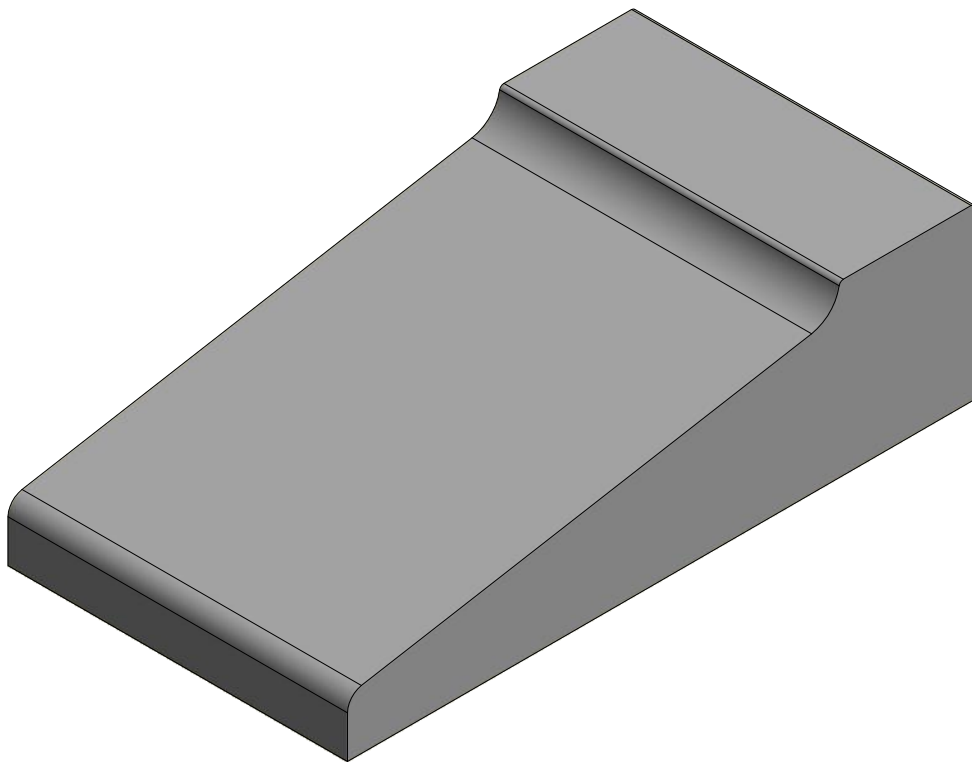
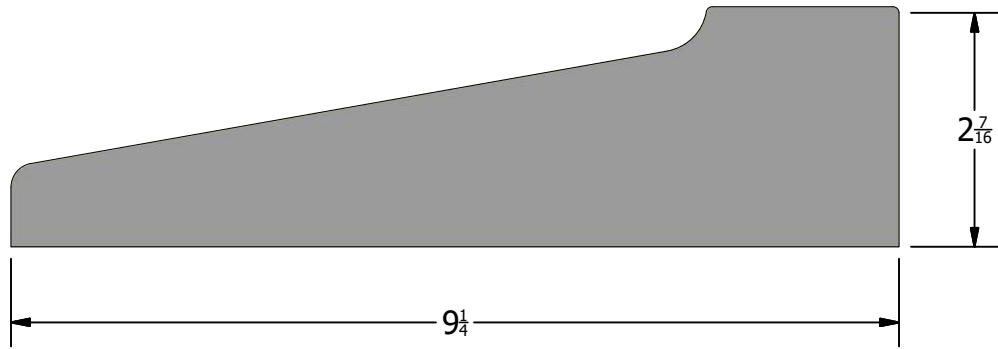
Scale 1 : 1



HOMESTEAD
WOODWORKS



Description Plinth Block		Part Number Plinth-07	 HOMESTEAD WOODWORKS
-442-	Back	Scale 1 / 2	



Description
Plinth Block

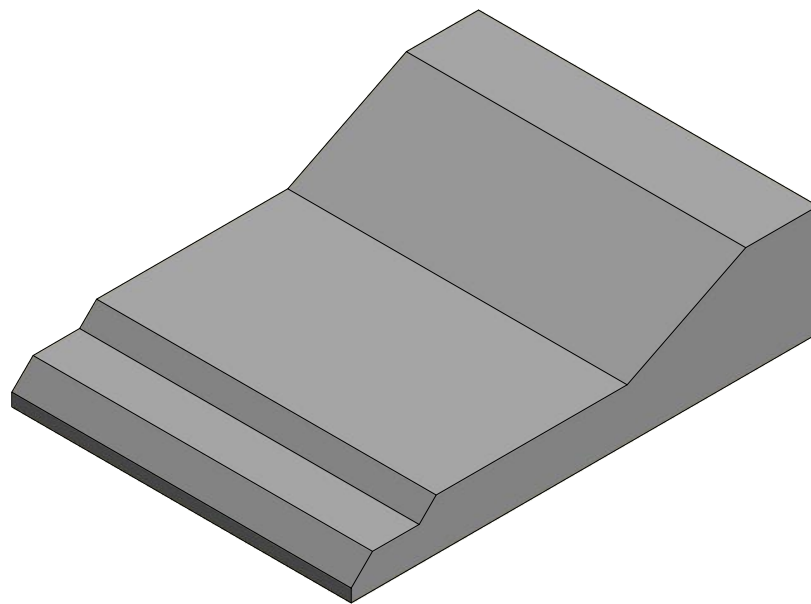
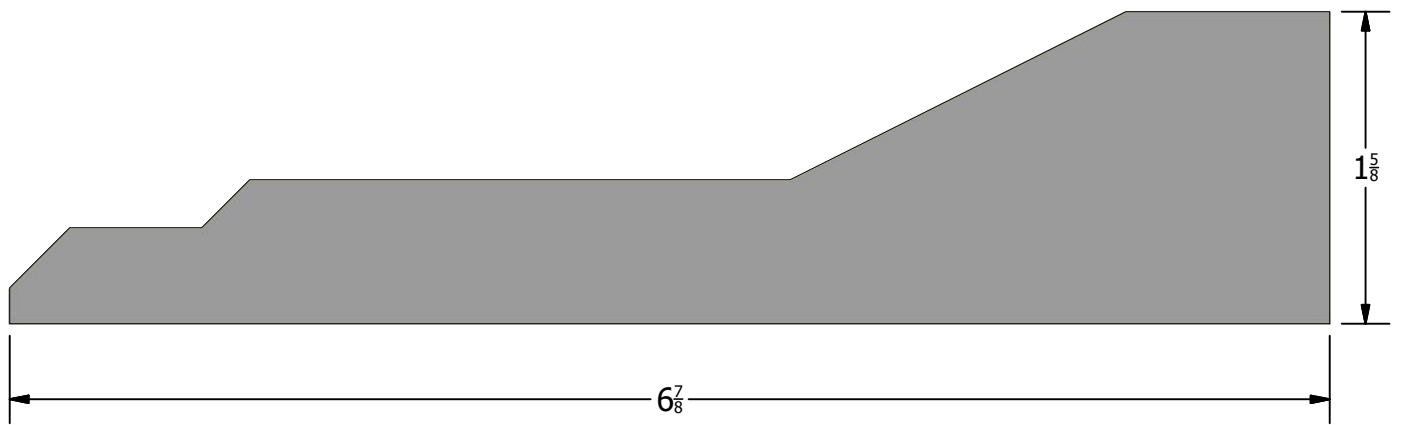
Part Number
Plinth-08

-443-

Back

Scale 1 / 2





Description
Plinth Block

Part Number
Plinth-09

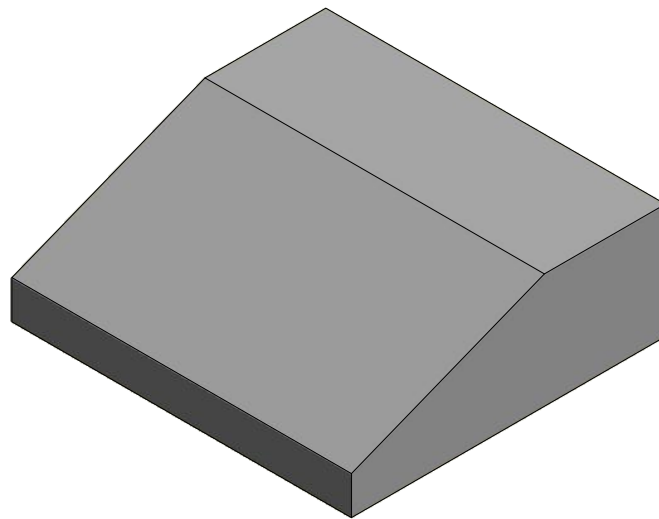
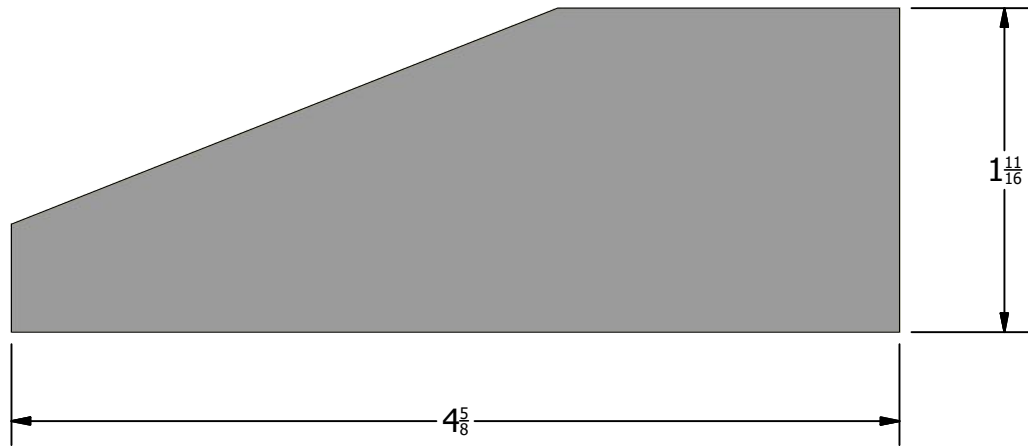
-444-

Back

Scale 1 : 1



HOMESTEAD
WOODWORKS



Description
Plinth Block

Part Number
Plinth-10

-445-

Back

Scale 1 : 1



HOMESTEAD
WOODWORKS

Description

Part Number

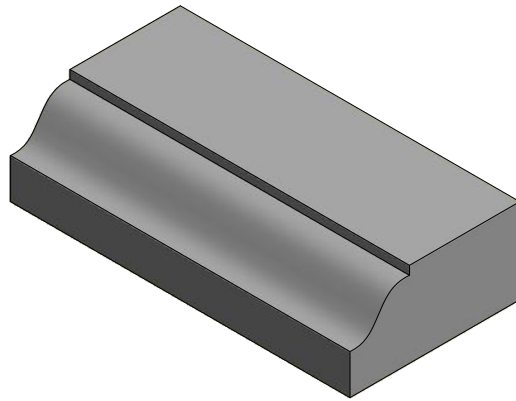
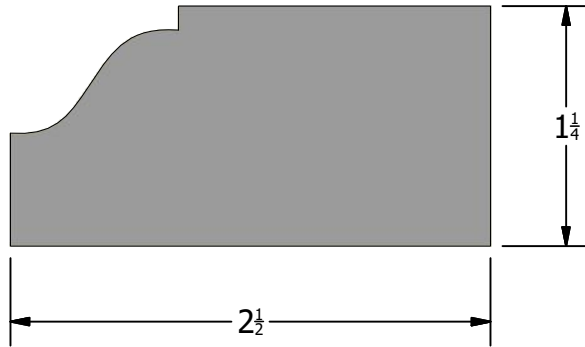
-446-

Back

Scale



HOMESTEAD
WOODWORKS



Description
Brick Mould

Part Number
BM-01

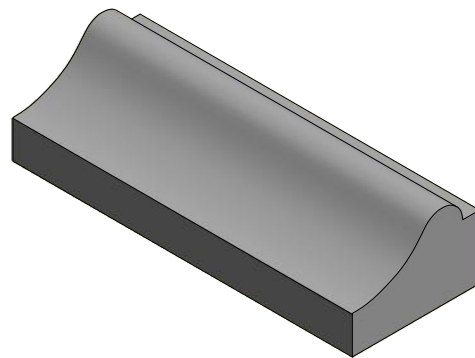
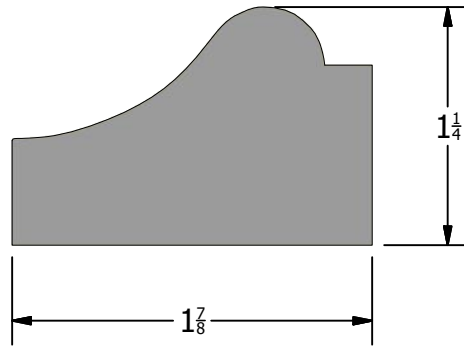
-447-

Back

Scale 1 : 1



HOMESTEAD
WOODWORKS



Description
Brick Mould

Part Number
BM-02

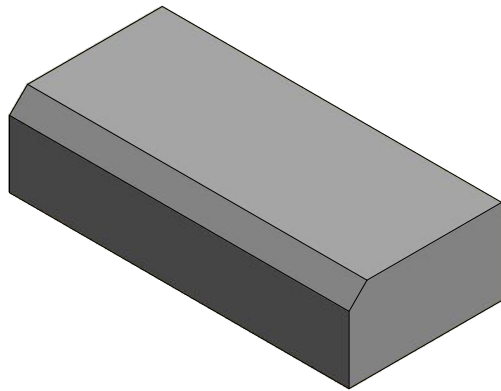
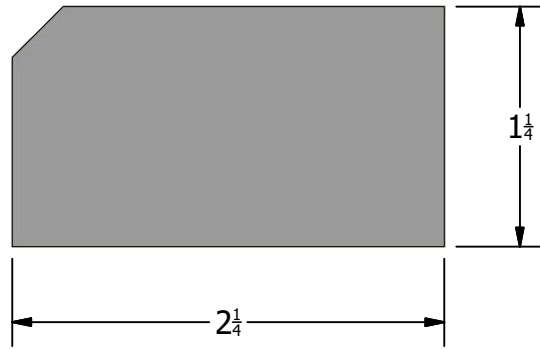
-448-

Back

Scale 1 : 1



HOMESTEAD
WOODWORKS



Description
Brick Mould

Part Number
BM-03

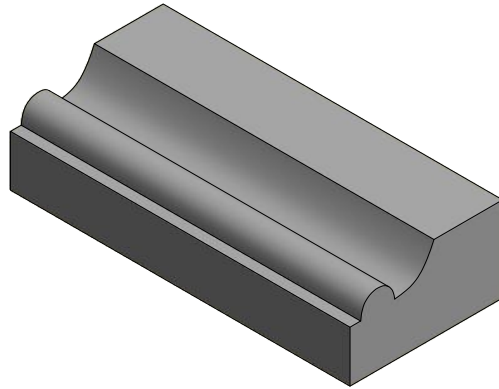
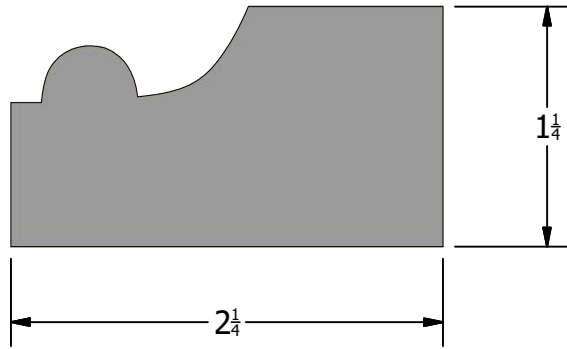
-449-

Back

Scale 1 : 1



HOMESTEAD
WOODWORKS



Description
Brick Mould

Part Number
BM-04

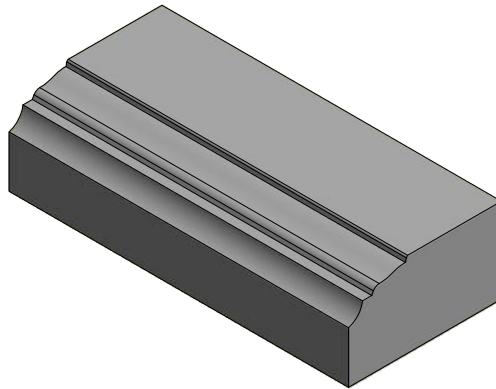
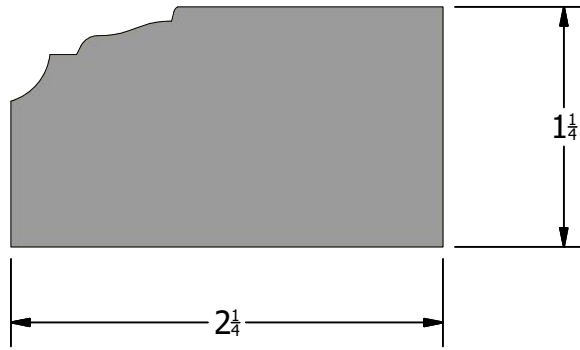
-450-

Back

Scale 1 : 1



HOMESTEAD
WOODWORKS



Description
Brick Mould

Part Number
BM-05

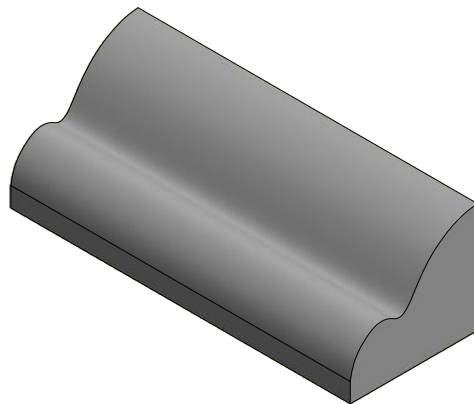
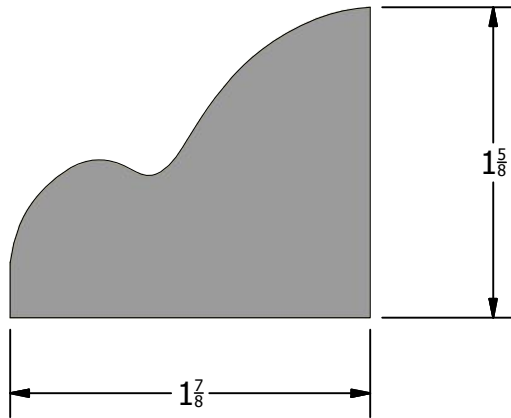
-451-

Back

Scale 1 : 1



HOMESTEAD
WOODWORKS



Description
Brick Mould

Part Number
BM-06

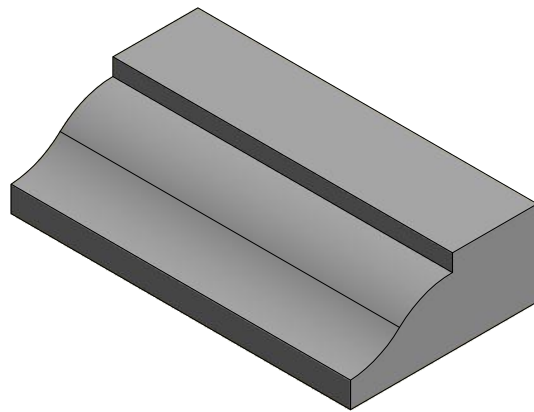
-452-

Back

Scale 1 : 1



HOMESTEAD
WOODWORKS



Description
Brick Mould

Part Number
BM-07

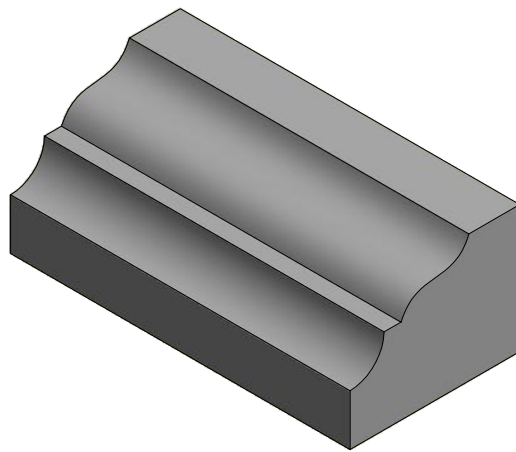
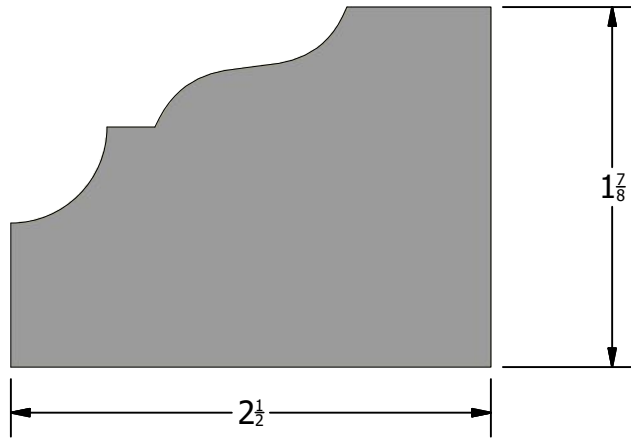
-453-

Back

Scale 1 : 1



HOMESTEAD
WOODWORKS



Description
Brick Mould

Part Number
BM-08

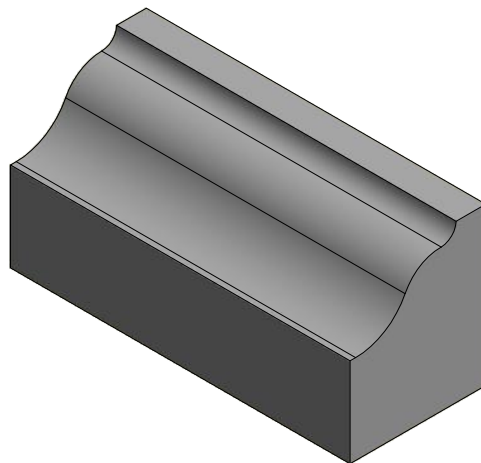
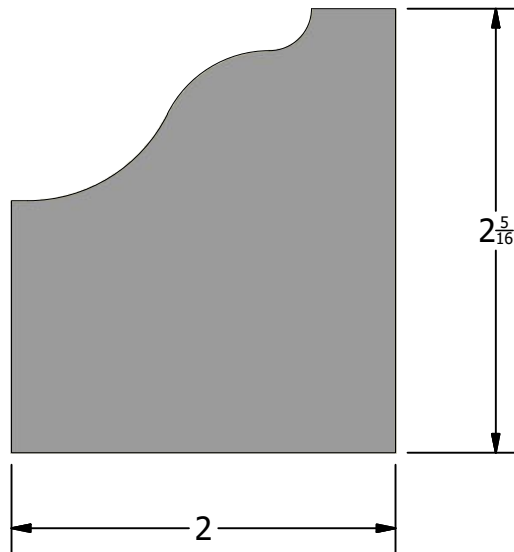
-454-

Back

Scale 1 : 1



HOMESTEAD
WOODWORKS



Description
Brick Mould

Part Number
BM-09

-455-

Back

Scale 1 : 1



HOMESTEAD
WOODWORKS

Description

Part Number

-456-

Back

Scale



HOMESTEAD
WOODWORKS



3575 Boadway Street
Hawkesville, Ontario N0B 1X0
519-699-4529
www.hsww.ca



HOMESTEAD
WOODWORKS